



2018 COMMERCIAL CATALOG





Dear Valued Customer,

Since 1963, Leslie's Swimming Pool Supplies Commercial Division has been helping pool engineers and operators like you keep their pools and spas operating smoothly, efficiently and to code. This year is no different. We have even more resources at your disposal to help keep your bodies of water safer and in compliance with federal standards, state laws and local ordinances.

As we celebrate our 55th year in business, we recognize the specific needs of you, our commercial customers, and the properties you represent. Our mission is to make your job of maintaining and managing your pools and spas easier. The Leslie's Commercial Division offers only the best quality products in all categories and a variety of service options and solutions to serve you. In addition to the best products, we offer the best people; qualified pool professionals in 917 retail stores, 24 Commercial Service Centers, 60 Commercial Account Executives and the nation's largest independent Service, Installation and Repair department. Leslie's prides itself on providing the utmost in customer service to and for commercial properties like yours. We offer a complete list of services that include helping you choose the right sanitization system, troubleshooting repairs on-site, and installing new equipment to support a million-gallon body of water or a 15,000 gallon pool. Whether you manage or maintain water at a resort, hotel, motel, apartment complex, fitness center or waterpark, Leslie's is a great provider and partner to maximize uptime.

Our 2018 Commercial Catalog is packed full of useful information and hundreds of quality products, making it a true tool and resource for you. With an easy to use table of contents, you'll find everything you need to maintain clean, clear water.

We appreciate your business and your continued confidence in Leslie's.

Yours truly,

Steven L. Ortega
President and Chief Executive Officer

Nelson Lafayette
Senior Vice President and General Manager, Commercial and Service



Table of Contents

CHEMICALS

Sanitizers	
Calcium Hypochlorite.....	18 & 20
Sodium Hypochlorite.....	19
TriChlor.....	18-19
Bromine.....	19
pH Control	
Soda Ash.....	21
Sodium Bicarbonate.....	21
Sodium Bisulfate.....	21
Muriatic Acid.....	21
Specialty Chemicals	
Calcium Chloride.....	21
Cyanuric Acid.....	21
Water Clarifiers.....	22
Stain & Scale Preventer.....	22
SeaKlear.....	22
Natural Chemistry Trade Grade.....	23
Algae Removers.....	24

TESTING KITS & REAGENTS

Taylor Test Kits.....	25
Lamotte Test Kits & Reagents.....	26
Replacement Reagents.....	27
PalinTest.....	28
Leslie's Pool & Spa Strips.....	28

EQUIPMENT

Automation.....	29-32
Chemical Feeders.....	33-34
Secondary Sanitizers.....	34-35
Peristaltic Pumps.....	36
Sani-Tower Chlorination Systems.....	18 & 33
Salt Solutions.....	38-39
Variable Frequency Drive.....	41
Pumps & Pump Parts.....	42-46
Filters & Filter Parts.....	47-51
Valves.....	52-53
Heaters.....	54-57



CLEANING EQUIPMENT

Robotic Cleaners.....	58-61
Portable Pool Cleaners.....	62
Brushes/Skimmer/Rakes/Poles.....	63
Vacuums/Vacuum Heads/Hoses.....	64
Cleaning Accessories.....	65

LIGHTS

LED Pool Lights.....	66
Incandescent Lights/Landscaping Lighting.....	67

LADDERS, BOARDS, PLATFORMS, RAILS

Handrails.....	68
Ladders.....	69
Diving Platforms and Boards.....	69

MISCELLANEOUS PARTS

Flowmeters.....	70
Miscellaneous Parts.....	71
Skimmers.....	72
Pool & Deck Paint.....	74-75
Spa Maintenance.....	76-77

SAFETY

Rescue & Safety Equipment.....	78
Lifeguard Products & Accessories.....	79
Anti-Entrapment Drain Covers.....	84
Signs & Depth Markers.....	80-82
Miscellaneous Safety.....	83 & 85

POOL ACCESS EQUIPMENT (ADA)

Lift Covers & Accessories.....	86-89
ADA Pool Lifts.....	86-88
ADA Pool Access Chairs.....	90

COVERS

Safety Covers.....	91-92
Thermal Covers.....	93
Solar Products & Accessories.....	94

RECREATION

Competition Equipment.....	95
Exercise Equipment.....	96
Floats & Slides.....	97
Pool Sports.....	98

FURNITURE

Sling Furniture.....	99
Patio Heaters.....	99
Pool Chairs.....	100-101
Lounge Furniture.....	102-103
Tables & Umbrellas.....	104-105

PARTS

Table of Contents.....	115
Parts.....	116-202

We Can Get Anything Shipped Anywhere! Contractor's License Numbers: AZ-Res-ROC122732, AZ-Comm-ROC256424, CA-755161, CT-PLM.0284528-SP, FL-CPC057127, FL-26806, NC-28806-SP-SP, NJ-13VH04768200, NV-35903, NY-44003-H, NY-H28063502, PA-PA067663, TX-TICL232. Prices Subject to Change Without Notice. Not Responsible for Typographical errors. Some restrictions may apply.



Experience The Best Benefits & Value When Working With Leslie's

MORE WAYS TO SHOP

Call Us 1.800.LESLIES
1.800.537.5437 - OPTION 3

By Email
commercial@lesl.com

By Website
lesliespool.com

By Store or Commercial Service Center
lesliespool.com/stores.htm

Visit Our Digital Catalog
lesliespool.com



National Commercial Division

Free Delivery*

On all in-stock items

FREE In-Store Labor*

- Free In-Store Water Analysis
- Lease-to-Own Pool Equipment
- Custom Solutions Available

We can customize a maintenance program just for you based on your unique water environment.

We Also Offer On-Site Training

National Service Department

- Equipment Repair & Installation
- Filter Cleaning & Sand Changes
- Winterize Open & Close Pools
- On-Site Training Pool School

*Restrictions may apply.



To schedule a class or for more information call:
Nation Accounts Manager
615.673.5468

Commercial Service Centers (CSC)



Over 900 stores, 24 CSC's...Leslie's offers our commercial customers added support with our CSC locations. Our 24 CSC locations are large warehouses dedicated and designed specifically for our commercial customers' needs. These buildings support higher inventory levels, same day delivery options, on-site commercial professionals trained to assist you with your commercial demands, in-store repairs, on-site training/support and much more!

ARIZONA

PHOENIX CSC	602.438.2666
Field Personnel	
East Valley	480.221.9417
North Valley	480.297.8903
Northeast Valley	602.692.3574
Northwest Valley	602.770.2997
Northern AZ/Resorts	602.318.8333
Southeast Valley	480.227.3156
Southwest Valley	602.460.1935

TUSCON

CSC	520.887.5446
Field Personnel	
East	520.861.3059
West	520.990.0163

CALIFORNIA

ANAHEIM/SOUTH LOS ANGELES CSC	714.578.0631
Field Personnel	
Anaheim	714.404.2287
S. Los Angeles	714.366.7589

FRESNO

CSC	559.276.2144
Field Personnel	559.259.7132

LIVERMORE/SAN JOSE

San Jose CSC	408.982.9838
Field Personnel	
East	925.583.4468
West	408.835.5359

N. LOS ANGELES/SANTA BARBARA

CSC	818.718.6050
Field Personnel	661.916.9296

ONTARIO

CSC	909.390.7767
Field Personnel	925.864.9692

PALM SPRINGS

CSC	760.325.2115
Field Personnel	909.964.2108

PALM SPRINGS Store #09

818.345.7404

SACRAMENTO

CSC	916-564-4277
Field Personnel	916-549-9667

SAN DIEGO

CSC	858.202.0257
Field Personnel	619.886.2135

FLORIDA

MIAMI/FT. LAUDERDALE Field Personnel	305.772.4764
--	---------------------

ORLANDO

CSC	407.438.2051
Field Personnel	321.695.2307

TAMPA

CSC	813.884.0500
Field Personnel	813.785.5079

WEST PALM BEACH

Field Personnel	813.787.9110
-----------------	---------------------

GEORGIA

ATLANTA CSC	770.409.2053
Field Personnel	
North	678.612.8933
South	404.823.8935

MIDWEST

Field Personnel	619.673.5468
-----------------	---------------------

LOUISIANA

NEW ORLEANS Field Personnel	615.673.5468
---------------------------------------	---------------------

MISSOURI

ST. LOUIS CSC	314.432.4961
Field Personnel	314.677.7139

NEVADA

LAS VEGAS CSC Strip	702.387.9333
Field Personnel	
East	702.743.9534
West	702.349.3185
Las Vegas Strip	702.743.9539

NEW JERSEY/ PENNSYLVANIA/ DELAWARE

SWEDSBORO/NEW JERSEY CSC	856.467.7922
Field Personnel/Philadelphia Mkt.	215.908.5170

NORTH CAROLINA

CHARLOTTE CSC	704.588.3384
Field Personnel	704.941.9081

OKLAHOMA

OKLAHOMA CITY Field Personnel	405.922.2851
Store 32	405.721.1804

TEXAS

AUSTIN CSC	512.832.0091
Field Personnel	512.579.8480

ARLINGTON/DALLAS

Dallas CSC	214.553.0384
Arlington CSC	817.652.7406
Field Personnel	
North Dallas	214.402.3622
South Dallas	469.642.8403
N Fort Worth	817.521.3693
S Fort Worth	817.304.6295

HOUSTON

South CSC	832.251.8503
North CSC	281.821.9501
Field Personnel	
East	832.567.1496
Central	832.259.7273
North	832.338.0781
West	281.796.8263

SAN ANTONIO

CSC	210.651.1500
Field Personnel	210.387.4061

TENNESSEE

MEMPHIS CSC	901.384.7840
Field Personnel	901.384.7840

SAME DAY/NEXT DAY DELIVERY

*Restrictions apply.



TRICHLOR TABS

Quality Tabs



1" Tablets
 12156 8 lb
 12165 35 lb
 12170 70 lb (2 x 35 lb)
 81271 350 lb (10 x 35 lb)

3" Tablets
 12423 7 lb
 12427 20 lb
 12437 35 lb
 12438 70 lb (2 x 35 lb)
 81286 350 lb (10 x 35 lb)

STRONGEST AVAILABLE Chlorine



90% Available Chlorine
 Our tablets are the strongest on the market. Don't be misled by a lower price on a lower percent of available chlorine. You're paying for a strong bacteria killer. Make sure you get it!

No Fillers
 You won't find any in a Leslie's tablet. Some use them to bulk up the tab size in place of more costly active ingredients. Not Leslie's!

Densely Compressed
 Our tablets last longer because of it. We pack them tight so they dissolve slowly in your pool!

Ultra-Violet Ray Inhibitor
 The sun burns off chlorine in your pool. Our tablets have an inhibitor added to greatly slow this process down, allowing your chlorine to work longer!



PoolFresh® Jumbo Tabs

- The strongest tablet you can buy!
- 90% available chlorine
- No fillers
- Stabilized to protect against UV rays

12450 50 lb
 12451 100 lb (2 x 50 lb)
 12452 400 lb (8 x 50 lb)
 87064 1200 lbs (24 x 50 lb)

DICHLOR TABS

Chlor Brite®

Quick-Dissolving Concentrated Chlorinating Granular

- For use in all types of pools & Spas
- Kills bacteria & algae
- Use for shocking or everyday chlorination
- Fast dissolving
- Provides quick chlorine boost
- Safe in all Pools

12046 12 lb (12 x 1 lb)
 12045 24 lb (24 x 1 lb)
 12061 25 lb
 12064 40 lb
 12068 80 lb (2 x 40 lb)



TRICHLOR STICKS



Chlorinator Sticks

- The strongest stick you can buy!
- 90% available chlorine
- No fillers
- Stabilization to protect against UV rays

12234 50 lb
 12236 100 lb (2 x 50 lb)
 81291 400 lb (8 x 50 lb)

BROMINE TABS



Bromine Tabs

- Excellent for indoor pools or spas
- No chlorine odor
- 1" tablets fit in all automatic Brominators or inside filter core

14305 25 lb
 14306 50 lb

Free Delivery



SANI-TOWER CHLORINATION SYSTEMS



Large 100 lb tablet capacity!

Sani-Tower® 500

- One of the best feeders on the market
- Capacity: Outdoor, stabilized pools up to 500,000 gallons, indoor pools up to 1 million gallons

16219 S/O



Sani-Tower® 275

- NSF 50 Rated
- Capacity: Outdoor, stabilized pools up to 200,000 Gallons, indoor pools up to 500,000 Gallons!

16201 S/O



Includes Flow Meter and Ball Valves

Sani-Tower® 90

- Specially designed for pools up to 90,000 gallons (outdoor stabilized)
- Easy "plug-in" installation
- 30 lb tablet capacity
- NSF Standard 50 with Leslie's Power Pro Tabs
- Great for spas too

16214 S/O



Power Pro™ Tabs® SI

- Leslie's exclusive 1/4" Blue Calcium Hypochlorite Tablets for commercial applications
- Contains scale inhibiting formula

81110 50 lb
 81111 100 lb (2 x 50 lb)
 81112 400 lb (8 x 50 lb)

LIQUID CHLORINE

Liquid Chlorine

- Brand, sizing and availability vary by market
- Call for local pricing
- Container deposits separate

14240 1 gal
 14238 2 x 1 gal
 14248 5 gal
 14249 15 gal
 81907 53 & 55 gal
 81920 15 gal kit - Florida Only
 14245 2.5 gal - Florida Only



Bulk available in most markets.

Leslie's is excited to announce a great program to support our commercial partners. Leslie's Poolmart offers a mini-bulk program that allows for direct delivery of liquid chlorine or acid to your refill tank that can range from 200 – 2,000 gallons. Please contact us today for your local commercial pricing.



TYPES OF CHLORINE COMPARISON CHART

NAME	TRICHLORO-S-TRIAZINETRIONE	SODIUM DICHLORO-S-TRIAZINETRIONE	CALCIUM HYPOCHLORITE	LITHIUM HYPOCHLORITE	SODIUM HYPOCHLORITE
Common name	Trichlor	Dichlor	Cal Hypo	Lithium	Liquid/Bleach
(%) Available chlorine	85% – 90%	55% – 63%	65% – 75%	35%	10% – 15%
Effect on pH	Lowers	No change	Raises	Raises	Raises
Advantage	Dissolves slowly. Long shelf life. Protected from sunlight. Works in most chlorinators.	Built-in protection from sunlight. Quick-dissolving. No residue. For regular or superchlorination.	Excellent for sanitizing or superchlorination. High percentage of available chlorine. No stabilizer.	Quick-dissolving. Will not cloud water. Safe to handle. Dust-free.	Inexpensive. Instant chlorine for superchlorination Non-flammable.
Disadvantages	Possible stabilizer buildup in commercial pools. Requires a feeder.	Possible stabilizer buildup in commercial pools.	Requires special handling. Calcium may build up. Clouds water. Unstable.	Expensive. Unstable. Lowest chlorine content of dry chlorine compounds.	Short shelf life. High salt content. Unstable. Dissipates rapidly in sunlight. Containers may leak.

See page 33

Sani-Tower Systems

*FREE SANI-TOWER OFFER - Call your regional commercial center for additional details. Limited supply. Installation costs not included in Free Promotion.



For the Closest Location Visit LesliesPool.com/stores or Call 1.800.LESLIES (537.5437) option 4

Order online at LesliesPool.com or by phone at 1.800.LESLIES (537.5437) option 3

CALCIUM HYPOCHLORITE



Power Powder Plus™

- Our flagship chlorine shock & Superchlorinator goes through an extra refining process to make it dissolve FAST!
- 73% Calcium Hypochlorite – Not a watered-down “blended” shock
- 1 lb treats up to 16,500 gallons

14183 25 lb
14670 1 lb Pouch
14671 12 lb (12 x 1 lb)
14672 24 lb (24 x 1 lb)



Power Powder Granular 70

- NSF 60 certified
- 65% available chlorine!
- Dosage: 1 lb treats 15,500 gallons
- * Product Brand may vary by market

14208 50 lb
14674 100 lb (2 x 50 lb)
14209 100 lb
81067 400 lb (4 x 100 lb)

Power Pro™ Tabs® 51

- Leslie's exclusive 1/4" Blue Calcium Hypochlorite Tablets for commercial applications
- Contains scale inhibiting formula
- Use in a Sani-Tower Chlorination system only

81110 50 lb
81111 100 lb (2 x 50 lb)
81112 400 lb (8 x 50 lb)

NON-CHLORINE SHOCK OXIDIZER



Pool Care Made Easy... with Fresh 'N Clear

- Chlorine free oxidizer = superior performance without raising chlorine levels
- Reduces odor and irritation by removing contaminants that cause dull water, odors, burning eyes, and irritation
- Contains a unique clarifier to make water sparkle
- Easy to use - no mixing required, no bleaching effects, no waiting to swim
- For routine pool water treatment, use 1 pound per 10,000 gallons of water every 1-2 weeks, to prevent problems before they start

Fresh 'N Clear®

- Chlorine-free Fresh 'N Clear oxidizes the contaminants that cause dull water, odors and burning eyes, without adding chlorine!
- Contains unique clarifier to make water sparkle
- Use 1 lb per 10,000 gallons every 1-2 weeks

14541 12 lb (12 x 1 lb)
14542 24 lb (24 x 1 lb)
14546 25 lb
14547 40 lb
14548 80 lb (2 x 40 lb)

RAISES ALKALINITY



Alkalinity Up (Sodium Bicarbonate)

- Raises Total Alkalinity to its proper range (80 – 120 ppm)
- Stabilizes pH
- Results in a better balanced pool, more comfortable water and less hassle for you!
- 1-1/2 lb of Alkalinity Up will raise the Total Alkalinity by 10 ppm in a 10,000 gallon pool

14060 5 lb
14063 10 lb
14068 30 lb Pail
14069 50 lb Pail
81292 S/O 50 lb Bag
81294 S/O 50 lb (Food Grade)

RAISES pH



Soda Ash

- 100% granular sodium carbonate; raises pH in pool water
- Dosage: If pH is below 7.2, add 1 lb of Soda Ash per 10,000 gallons

14730 5 lb
14733 10 lb
14736 30 lb Pail
14737 45 lb Pail
81298 S/O 50 lb Bag

RAISES HARDNESS



Hardness Plus

- 94-97% calcium chloride
- Raises calcium hardness

14425 15 lb
14427 25 lb
14428 45 lb
81274 90 lb (2 x 45 lb pails)
81269 S/O 50 lb Bag (Flake)
4lb, 8lb & 10lb sizes available

NEUTRALIZES



Chlor Neutralizer

- 100% Sodium Sulfite (Chlorine Neutralizer)
- Lowers chlorine or bromine level to enhance bather comfort or comply with required maximum ranges
- Dosage: 2-1/2 ounces per 10,000 gal removes 1 ppm Free Available Chlorine

14253 3 lb
14256 25 lb

CYANURIC ACID



Instant Conditioner

- Instant Pool Water Conditioner is used for stabilizing chlorine from UV sunlight
- Will not damage pool surfaces or equipment
- Concentrated liquid, 1 gallon will add 40 ppm of conditioner to 10,000 gallons

12306 1 gal
12307 4 gal (4 x 1 gal)

Conditioner (Cyanuric Acid)

- Dosage: 2 lbs per 10,000 gallons to raise 25 ppm

12302 4 lb
12305 8 lb
81293 100 lb

1.800.LESLIES Opt 3
Call for pricing

LOWERING pH



Dry Acid

- 100% sodium bisulfate lowers pH
- Use when pH is 7.8 or higher
- Ideal for vinyl and fiberglass pools

14349 2 lb
14353 10 lb
14357 25 lb
14358 50 lb (2 x 25 lb)



Muriatic Acid

- Brand, sizing and availability vary by market
- Economical pH control

14013 1 gal
14015 2 x 1 gal
14235 5 gal
14236 15 gal
81916 53 gal

Bulk deliveries available in selected markets.
Liquid Acid Container deposit separate



Acid Magic

- Easier to use
- Excellent pH down & alkalinity adjuster
- Extremely effective acid wash
- Cleans tile, porcelain brick & concrete
- Removes rust, scale, mineral build-up and stains
- Cleans filters, chlorine generators and meter electrodes

14297 S/O 4 x 1 gal
14292 S/O 5 gal
14293 S/O 15 gal
S/O 30 gal
14295 S/O 55 gal
14296 S/O 275 gal tote



Free Delivery



- Single drop within 15 miles of a Leslie's location on all store stock items.
- Invoice dollar total must exceed delivery weight.
- \$100 minimum order required.
- Next business day delivery. Same day delivery available. Handling fee may apply.
- TAX: State and local taxes will be charged in all states with a Leslie's retail location. Sales tax exempt customers must submit proof of exempt status prior to shipping.

STAIN & SCALE PREVENTERS

**Ultimate Scale & Stain Remover**

- Removes calcium deposits, mineral scale, iron stains, and scum buildup from pool surfaces and tile
- Saves you the hassle of draining and acid washing
- No waiting to swim

14222 1/2 gal

**Ultimate Scale & Stain Control**

- Monthly application protects and maintains the beauty of all pool surfaces
- Protects against stains, mineral scales, and scum buildup

14223 1/2 gal

Protects Salt Cells From Build-Up**Scale Free**

- Protects your pool from the damaging effects of scale build-up and staining due to excessive calcium, iron, copper, and other minerals.
- No phosphates or harsh acids
- Protects salt cells from scale

14221 1/2 gal

**Stain Remover**

- Ascorbic acid removes rust and metallic stains from fiberglass pools and spas
- Must be used with Metal Free to prevent the recurrence of stains

14101 2 lb

NATURAL CHEMISTRY PRODUCTS

**Trade Grade Power Blend**

- New, Exclusive Leslie's formula
- Combination of the following:
 - Triple Strength Enzyme Blend
 - Phosphate Removing
 - Liquid Cover – extremely beneficial for indoor water facilities air quality

12312 1 gal
12313 5 gal**Trade Grade Liquid Cover**

- Replaces CoverFree Commercial AF
- Liquid solar blanket:
 - Great addition for indoor pools to help air quality
 - Reduces water loss due to evaporation barrier
 - Reduces heat loss and chemical consumption

12319 1 gal
12320 5 gal**Trade Grade Phosphate Remover**

- Replaces PHOSFree Commercial AF
- Strongest, most effective phosphate remover on the market, one ounce will remove 12,000 ppb.

12321 1 gal
12322 5 gal**Trade Grade Pool Enzymes**

- Replaces Pool Perfect Commercial or Pool Perfect Plus
- Combination of the following:
 - Triple Strength Enzyme Blend specifically developed for high bather load water
 - Clarifier to aid in quick water clarity

12308 1 gal
12309 5 gal**Trade Grade Plumbing Restore**

- Replaces Purge Commercial
- Plumbing system cleaning agent
- Blend of enzymes and natural degreasing products

12311 1 gal

Trade Grade Power Clear Step 1 & Step 2

- Replaces SeaKlear PRS (Particle Removal System)
- EPA Approved as device for Crypto removal
- Two part clarifying system able to improve filtration to .5 microns

S/O 1 gal Step 1
S/O 1 gal Step 2
112316 Power Clear 1 gal Kit - Includes Step 1 & Step 2

WATER CLARIFIERS

**BEST SELLER****Ultra Bright**

- Super strength, safe, non-toxic, non-irritating and biodegradable
- Use 4oz/10,000 gallons

14916 1 qt 14070 5 gal
14917 1/2 gal 14071 10 gal
14918 1 gal**Clearex 500 Concentrate**

- Exciting, proven and improved concept in pool water clarification aids
- May be applied whenever cloudy water problems occur

14933 1 qt
14934 1 gal**Super Floc**

- Settles suspended dirt and particles

14410 1 qt

**Oil Out**

- Nature's Organic Water Cleaner Enzyme concentrate

14940 1 gal

**Alum**

- Tried and true granular water clarifier and filter aid
- Quick-dissolving and fast-acting

14070 5 gal
14071 10 gal

SEAKLEAR PRODUCTS

Natural Clarifier

SeaKlear Natural Clarifier is ideal for preventing common cloudiness, by clearing away dirt and oil

200732 1 qt
14945 1 gal
14948 5 gal**Phosphate Remover**

Our most powerful phosphate removal treatment

14954 1 qt
14953 1 gal
14956 5 gal**SeaKlear PRS Stage 1 & 2**

2-part system goes beyond removing dirt and oil. It enhances filtration by trapping Cyptosporidium, E. Coli and Giardia

- Removes down to .05 micron particles

14941 1 & 2 qt
14951 1 & 2 x 1 gal
14948 1 & 2 x 5 gal**90-Day Algae Prevention**

Industry leading 90-Day Algae Prevention and Remover offers a 90-day no-algae guarantee

14961 1 qt
14962 1 gal
14966 5 gal**Rescue Klear**

SeaKlear Flagship is blended with scum-fighting enzymes

14957 1 qt
14958 1 gal
14959 5 galFor the Closest Location Visit LesliesPool.com/stores or Call 1.800.LESLIES (537.5437) option 4**Digital Dosage Pump**

Natural Chemistry's Automatic Dosage Dispenser has been engineered to handle liquid dispensing applications simply and effectively.

- Buttons and liquid crystal display allow quick digital programming
- Add small amounts of enzymes, PHOSfree or other products throughout the day
- Water and sunshine-resistant enclosure

14126 S/O Dosage Pump

Order online at LesliesPool.com or by phone at 1.800.LESLIES (537.5437) option 3

MINERAL TREATMENT



Booster Mineral Bucket and Commercial Unit

- Treats up to 300,000 gallons
- 305429 White Commercial Unit Only
- 15484 Bucket

PoolRx Blue Unit

- Treats 7,500 to 20,000 gallons
- 15464 1 pk 15481 4 pk

PoolRx Black Unit

- Treats 20,000 to 30,000 gallons
- 15465 1 pk 15482 4 pk

PoolRx Booster Mineral

- Treats 7,500 to 20,000 gallons
- Add every 4 to 6 months
- 15466 1 pk 15483 4 pk

PoolRx Spa Mineral Units

- Treats 100 to 400 gallons
- 15467 1 pk Yellow
- Treats 400 to 1,000 gallons
- 15468 1 pk Black



ALGAE REMOVER

Algae Control

- Leslie's Algae Control is perfect for destroying algae present in your pool, but also serves as a preventer. Weekly use will keep your pool algae-free all season long
 - 60% active ingredient is the strongest formula available
 - Will not stain pool or fixtures, and does not foam up like other algae cleaners
 - Can be used with fiberglass, vinyl, tile, and colored plaster pools
 - Perfect for spas and hot tubs, as well as outdoor fountains
 - Destroys and prevents most types of pool algae including pink algae
 - Just a few ounces of Leslie's Algae Control will clean your entire pool
- 14025 1 qt 14030 1 gal
14028 1/2 gal 86110 3 gal (6 x 1/2 gal)



90-Day Algae Prevention

- Industry leading 90-Day Algae Prevention and Remover offers a 90-day no-algae guarantee
- 14961 1 qt
- 14962 1 gal
- 14966 5 gal



Skill-It

- Fast acting super effective algaecide that removes even the toughest black algae.
- Eliminates all algae types quickly
- No pH Adjustment required
- Contains no heavy metals.
- 14051 1 qt
- 14052 1 gal



Yellow Out

- Safely cleans up all forms of algae
- Non-metallic, fast acting – dissolves rapidly
- 14990 2 lb
- 14991 4 lb
- 14993 20 lb

Green To Clean

- Specially formulated for Green Algae
- Non-metallic, fast acting – dissolves rapidly
- 14975 2 lb
- 14976 4 lb
- 14977 20 lb

Copper Algaecide

- Highly concentrated chelated copper formulation for killing algae
- Copper is known to be highly toxic to algae, especially yellow and black algae
- 14008 1 qt

Black Algae Killer

- Uniquely blended formula
- Best algaecide to use for stubborn algae, such as black algae
- 14007 1 qt
- 14024 1/2 gal

COMMERICAL KITS



Replace Solutions Annually



Commercial Test Kits

- Designed for the comprehensive, routine testing required for public and semi-public pools
- Test for free and combined Total Chlorine, Total Bromine, pH, acid and base demand, Total Alkalinity, Calcium Hardness and Cyanuric Acid

81325 2 oz Bottles (not shown)
81330 .75 oz Bottles

1.800.LESLIES
Call for pricing



Residential Complete Test Kit

- Liquid reagents dispense completely and eliminate the need to wait for tablets to dissolve
- Printed-color standards, molded in plastic for protection against water, chemicals, and scratches, yield reliable color matches
- Drop test provide a clear color change to signal the endpoint

18576 Residential Complete Test Kit

DPD TEST KITS



Test Kit, DPD

- Accurately test for:
 - Free Chlorine
 - Total Chlorine
 - pH and Total Alkalinity

18547 Test Kit DPD
18571 Basic Test Kit DPD
18553 Basic Test Kit Refill Pack



Test Kits Available in Spanish



FAS DPD Test Kit

- Titration Testing of Free Chlorine
- Portable & practical for on and off-site testing
- Contains all the necessary reagents & equipment
- DPD can test FAC to 25 ppm undiluted

Perfect to meet requirements of Accidental Fecal Release (AFR) protocols
81329 FAS DPD Test Kit .75 oz bottles
200214 FAS DPD Test Kit 2 oz bottles

OTO TEST KIT

OTO Test Kits

- Portable and practical for on-and-off site tests
- Contains all necessary reagents and equipment
- Waterproof instructions
- Durable plastic case provides safe storage
- 18554 Basic Test Kit (not shown)
- 18548 Deluxe OTO Test Kit



Over the years, salt systems have become a popular way to sanitize pools and spas. To be successful, these systems require a minimum salt concentration. Too low, and not enough chlorine will be produced to inhibit algae and bacterial growth. To monitor the salt concentration, Taylor has added several new kits to its lineup: K-2005-SALT, K-2005C-SALT, K-2006-SALT, and K-2006C-SALT. **Contact your commercial representative to order today!**



Watch a demonstration video by visiting www.yellowout.com



For the Closest Location Visit LesliesPool.com/stores or Call **1.800.LESLIES** (537.5437) option 4

Order online at LesliesPool.com or by phone at **1.800.LESLIES** (537.5437) option 3

COMMERCIAL TESTING KITS



ColorQ PRO 7 Liquid Test Kit Code 2056

No color matching, no look up charts, no guessing! The unique, multi-test ColorQ pool and spa hand-held photometer reads SEVEN test factors (Free Chlorine, Total Chlorine, Bromine, pH, Alkalinity, Calcium Hardness, and Cyanuric Acid) directly on a digital display.

82068 ColorQ Pro 7 Liquid Test Kit

ColorQ Pro 7 Liquid Test Kit	–
ColorQ Pro 7 Refill Reagent Pack	–
pH Reagent	30 ml
Total Alkalinity Indicator	30 ml
Calcium Hardness 1	30 ml
Calcium Hardness 2	30 ml
DPD #1A	30 ml
DPD #1B	30 ml
DPD #3	–
Replacement Tubes	–



ColorQ TesTabs® PRO 7 Code 2057

The ColorQ TesTabs® PRO 7 photometer directly measures seven pool & spa tests using stable tablet reagents. Instrument grade tablets are packaged in blister-style foil and dispensed by pressing the tablet through the foil.

900899 ColorQ TestTabs Pro 7

ColorQ TesTabs Pro 7 Kit	–
ColorQ TesTabs Pro 7 - Refill Pack	–
DPD 1 Instrument TesTabs	50 count
DPD 3 Instrument TesTabs	50 count
Cyanuric Acid TesTabs	50 count
pH Instrument ColorQ TesTabs	50 count
Alkalinity Instrument TesTabs	50 count
Calcium Hardness TesTabs	50 count
Replacement Tubes	–

TesTabs® Reagents	50 Pack	100 Pack	1000 Pack
Chlorine DPD #1 RAPID	82013	82022	82031
Chlorine DPD #3 RAPID	82014	82023	82032
Chlorine DPD #4 RAPID	82015	82024	S/O
pH (Phenol Red)	82016	82025	82034
Alkalinity	82017	82026	82035
Cyanuric Acid	82018	82027	S/O
Calcium Hardness	82019	82028	82037
MPS-OUT (Monopersulfate Eliminator)	S/O	82029	–
Phosphate, Low Range	82021	82030	–



DPD TesTabs®

The only North American manufacturer of DPD tablets! LaMotte's blisterstyle foil packaging allows users to dispense a tablet into a small vial by pressing the tablet through the foil. The package carries 10 tablets per strip in a compact 3.35" x 1.35" size. LaMotte DPD rapid dissolving formulas for measuring Free and Total Chlorine are enhanced for faster dissolution. **Visual grade tablets are not for use with photometers.**



DPD Liquid Reagents

The liquid alternative to DPD tablets can be used with existing LaMotte Chlorine comparators. DPD 1A and DPD 1B are added to a 5 or 10 mL sample to test Free Available Chlorine. DPD 3 is added to the reacted sample to measure Total Chlorine. Liquid reagents are also available to measure pH, Hardness, Alkalinity and Copper (see the Pool & Spa Price list).

30 mL (1 oz)	Code	60 mL (2 oz)	Code
DPD 1A	82080	DPD 1A	82074
DPD 1B	82081	DPD 1B	82075
DPD 3	82082	DPD 3	82076

CHEMICAL TESTING REAGENTS

Taylor Liquid Reagents

REAGENT	TAYLOR#	.75 oz	2 oz	16 oz
DPD No. 1	R-0001	81340	81341	•
DPD No. 2	R-0002	81345	81346	•
DPD No. 3	R-0003	81350	81352	•
pH Indicator Solution	R-0004	81355	81356	81357
Acid Demand Reagent (ADR)	R-0005	81360	81358	81354
Base Demand Reagent (BDR)	R-0006	81365	81361	81362
Thiosulfate N/10	R-0007	81370	81367	81366
Total Alkalinity Indicator	R-0008	81375	81372	81371
Sulfuric Acid .12N	R-0009	81380	81377	81376
Calcium Buffer	R-0010	81385	81382	81381
Calcium Indicator Liquid	R-0011	81390	81387	81386
Hardness Reagent	R-0012	81395	81396	81394
Cyanuric Acid Reagent	R-0013	81411	81398	200275
Phenol Red Indicator	R-1003	S/O	S/O	S/O
Chromate Indicator	R-0630	200301	200302	•
Silver Nitrate	R-0718	200332	200333	•
FAS-DPD Titrating Chlorine	R-0871	81348	81349	81353
FAS-DPD Titrating Bromine	R-0872	200394	200395	•
Phosphate Reagent #1	R-0980	200417	•	•
Phosphate Reagent #2	R-0981	200418	•	•
Deox Reagent	R-0867	200380	81408	•



Taylor Powdered Reagents

REAGENT	TAYLOR#	10 gram	50 gram	.25 lb	1 lb
DPD Powder	R-0870	81331	•	81332	81335

Palintest Reagents

NAME	RANGE	STARTER PACK (50 TESTABS)	REPLACEMENT PACK (250 TESTABS)
Total Alkalinity (Alkaphot®)	0 – 500 mg/l CaCO ₃	82133	82111
Bromine	0 – 10 mg/l Br ₂	S/O	9000581
Calcium Hardness (Calcicol™)	0 – 500 mg/l CaCO ₃	82134	82112
Chloride/Salt (Chloridol™)	0 – 50,000 mg/l NaCl	S/O	S/O
Chlorine - Free (DPD 1)	0 – 5 mg/l Cl ₂	S/O	82103
Chlorine - Free, extended range (DPD XF)	0 – 10 mg/l Cl ₂	82126	82104
Chlorine - Free, Combined and Total (DPD 1 and DPD 3)	0 – 5 mg/l Cl ₂	82127	82105
Chlorine - Free, Combined and Total, extended range (DPD XF and DPD XT)	0 – 10 mg/l Cl ₂	82128	82106
Chlorine - Total (DPD 4)	0 – 5 mg/l Cl ₂	82129	82107
Chlorine - Total (DPD 3 only)	0 – 5 mg/l Cl ₂	—	902906
Chlorine - Total, extended range (DPD XT only)	0 – 10 mg/l Cl ₂	—	S/O
Chlorine HR	0 – 250 mg/l Cl ₂	S/O	S/O
Copper - Free, Combined and Total (Coppercol®)	0 – 5 mg/l Cu	82132	82110
Cyanuric Acid	0 – 200 mg/l CNA	—	82108
Hardness - Total (Hardicol®)	0 – 500 mg/l CaCO ₃	S/O	S/O
Iron LR	0 – 1 mg/l Fe	S/O	82114
Ozone (DPD method)	0 – 2 mg/l O ₃	S/O	903744
pH Phenol Red	pH 6.5 – 8.5*	82131	82109
Phosphate LR	0 – 4 mg/l PO ₄	S/O	82121
Sulphate	0 – 200 mg/l SO ₄	S/O	903745

*pH 6.5 – 8.4 for Pooltest 3 and Pooltest 6

Lamotte ColorQ Liquid Reagents

REAGENT	LAMOTTE	30 ml	60 ml
DPD 1A	6740	82080	82074
DPD 1B	6741	82081	82075
DPD 3	6743	82082	82076
pH Reagent	7037	82083	901002
Total Alkalinity	7038	232106	901003
Calcium Hardness 1	7042	82085	901004
Calcium Hardness 2	7041	82086	900186

Lamotte Pool Manager Tablet Reagents

REAGENT	50 (TESTABS)	100 (TESTABS)	1,000 (TESTABS)
Chlorine DPD 1R	82013	82022	82031
Chlorine DPD 3R	82014	82023	82032
Chlorine DPD 3R	82015	82024	S/O
Phenol Red pH	82016	82025	82034
Alkalinity	82017	82026	82035
Calcium Hardness	82019	82028	82037
Cyanuric Acid	82018	82027	S/O

Lamotte ColorQ Tablet Reagents

REAGENT	50 TESTABS	100 TESTABS	1,000 TESTABS
DPD 1 Instrument Grade	900059	900317	900017
DPD 3 Instrument Grade	S/O	S/O	900018
pH Instrument Grade	900057	900318	900019
Alkalinity Instrument Grade	900058	900319	900020
Calcium Hardness Instrument Grade	901696	900021	S/O
Cyanuric Acid	82087	82091	S/O

PALINTEST KITS & POCKET SENSORS

Pooltest 9 Bluetooth®

Including the nine most important pool and spa parameters, water quality testing has never been so simple or connected.

- Single-key direct access to all parameters
- Battery or mains powered and completely waterproof
- On-board data log, downloadable via Bluetooth® SMART or USB and share with colleagues and customers via the Aqua Pal app
- Supplied in a choice of portable or bench-top kits, the Pooltest 9 Bluetooth is ready to go to work from the moment it arrives



Pooltest 6

The Pooltest 6 provides simple and effective pool testing for service engineers and pool managers, offering the parameters required for a water balance calculation.

- Colorimetric analysis giving accurate and fast digital results
- Large backlit LCD screen ideal for use in any location
- On-board memory to store the last 10 results
- The Pooltest 6 measures up to 5ppm Cl2 as standard. Choose the Extended range version to measure up to 10ppm Cl2



904537 Pooltest 6 Photometer

Pooltest 3

- The Pooltest 3 provides digital results for the three key parameters for pool disinfection control: chlorine, pH and cyanuric acid
- Easy to use four button operation
- Colorimetric analysis giving accurate and fast digital results
- Waterproof with a large backlit LCD screen
- The Pooltest 3 measures up to 5ppm Cl2 as standard. Choose the Extended range version to measure up to 10ppm Cl2



902733 Pooltest 3 Photometer

Pool Pocket Sensors

Pocket sized and waterproof, the Palintest electrochemical range adds further field measurement capability for pool and spa management.

- Automatic temperature compensation for all measurements – ideal for all pool and spa samples
- Completely waterproof – essential for the aquatic environment
- Full range of calibration and care solutions available for aftercare and maintenance
- With models for pH, conductivity, TDS and as a multiparameter unit, the Palintest Pocket Sensor range is available in both single display (parameter displayed only) or dual display (parameter and temperature displayed simultaneously) versions.



S/O Pool Pocket Sensors

POOL & SPA TEST STRIPS

A. Leslie's 4 Way Test Strips

Free Chlor., Alkalinity, Cyanuric Acid, & pH
18720 50 Strips

B. Leslie's 5 Way Test Strips

Free Chlor., Alkalinity, Hardness, Bromine, & pH
18721 50 Strips

C. Leslie's Professional Test Strips

Free Chlor., Alkalinity, Total Chlor., Cyanuric Acid, Hardness, Bromine & pH
18723 100 Strips

D. Leslie's Salt Test Strips

18724 10 Strips

E. Leslie's Monopersulfate Test Strips

MPS Low & High Levels, Alkalinity, & pH
18725 50 Strips

F. InstaTest Borate Test Strips

Borate levels 0, 15, 30, 50, 80ppm
18728 25 Strips

G. InstaTest Nitrate Test Strips

Nitrate levels 0, 10, 30, 60, 120, 200ppm
18729 25 Strips

H. Phosphate Test Strips

18510 10 Strips

I. InstaTest Copper & Iron Test Strips

Copper and Iron Levels
18730 25 Strips



Finance to OWN pool automation equipment!

**ORP or PPM Controller Models
Precise PPM or ORP and pH Control**

Leslie's Commercial has a cost efficient program to improve quality, reduce operating costs and drastically improve safety. Leslie's is extending its partnerships to allow commercial customers to afford pool automation under a simple, affordable finance to own program!

We will have a Commercial Account Executive complete an extensive site analysis to design the correct automation system to ensure proper pool sanitation, based on the type of environment and application needed to ensure minimal maintenance and overall customer satisfaction and bather safety.

Equipment Benefits:

- Comply With Health Codes
- Maximize Maintenance Resources
- Reduce Chemical Costs
- Increase Bather Safety
- Clean Clear Consistent Water!
- Minimal Monthly Payment
- Constant perfect Water Balance
- Data Log of Precise PPM or ORP and pH Available on Some Models
- Wireless monitoring available on some models (additional fee applies)

Did you know having an automatic controlling system can save on chemicals, equipment longevity and create more of a safe swimming environment?

AUTOMATION



Chemtrol™ 250 Controller

- Microprocessor-based digital controller maintains both sanitizer ORP (oxidation-reduction potential or Redox) and water pH in small commercial pools and spas
- Simple to install, long-term reliability
- Adjustable; set points, high & low alarms, overfeed safety timers & proportional feed control
- Housed in waterproof cabinet with clear cover

81299 S/O C 250 Controller

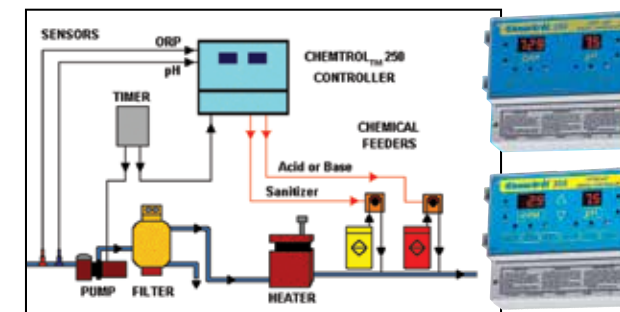
Chemtrol™ 255 Controller

- New solid-state PPM Sensor with selective membrane for Free Chlorine
- Easy to install, simple to use
- Not affected by cyanurates or oxidizers
- No expendable reagents required; no pressure cell
- All set points and alarms are adjustable
- Probes for salt generator applications are available

81296 S/O C 255 Controller



Installation available in most areas



CHEMTROL FREE-CHLORINE SENSORS

Chemtrol™ PPM Sensors

Introducing new PPM sensors for direct measurement of FREE CHLORINE in water in parts per million (ppm) or milligrams per liter (mg/l). Unlike other chlorine sensors on the market, these sensors are very precise and so reliable that they are covered by a 2-year warranty.

They are easy to install and practically maintenance free. For best water management, it is recommended to use ORP control of chlorine oxidizing activity and PPM monitoring of free chlorine. Alternatively, PPM control can be used for control of the sanitizer and ORP control for a non-chlorine oxidizer.

- FREE CHLORINE measurement including: free chlorine (HOCl and OCl-) and combined isocyanurates if present, corresponding to the DPD1 test.
- pH RANGE of 5.5 to 9.5
- TEMPERATURE RANGE of 5 to 50C (40 to 120 F)
- CYANURIC ACID compatible,
- PRESSURE RANGE up to 3 bars (45 psi)
- PVC BODY with 1" MPT fitting
- REPLACEABLE MEMBRANE and electrolyte
- FLOW CELL with specially designed probe housing
- EASY CALIBRATION on startup

PPM, ORP and pH

For best results in water management, it is recommended to use both ORP control of free chlorine and PPM monitoring of total and combined chlorine. Alternatively, PPM control can be used for control of the sanitizer and ORP control for an oxidizing agent, such as ozone. The chlorine sensor is now available with the CHEMTROL(R) 255T Digital Controller for PPM and pH.



PARTS

Chemtrol™ Controller Parts

- 81654 S/O ORP Probe (with connectors)
- 81656 S/O pH Probe (with connectors)
- 81657 S/O By-Pass Line
- 81658 S/O Flow Cell Assembly with Flow Switch
- 81659 S/O Safety Flow Switch

PoolComm® Wireless Web-Based Management

PoolComm is a revolutionary way to manage the water quality of multiple commercial pools and spas from a single remote location. This web interface allows detailed monitoring, pH and ORP adjustment, compliance documentation and more, all through the internet and/or mobile app. Any computer, iPhone®, Android™ or web-enabled mobile device can manage a pool.

The new PoolComm app affords commercial pool servicers, operators, and managers greater convenience and flexibility when monitoring water quality at their various facilities. The app is now available for FREE download for iPhone and/or Android.

- New WiFi® communications option allows free access to PoolComm anytime
- Direct control of systems from any web browser
- Monitor and display multiple facilities simultaneously
- Receive real-time detection of pH and ORP problems
- Color-coded alarm display, with notification via email or text
- Up to 25% savings in labor costs yearly
- Identify detrimental patterns and issues
- Make better use of maintenance personnel time
- Logs read hourly and updated every 24 hours or upon request



CAT Controller Model Guide

	CAT 1000®	CAT 2000®	CAT 2000® (PP2000)	CAT 3500®	CAT 4000®	CAT 5000®	CAT 5500®
Monitoring and Controls	pH	•	•	•	•	•	•
	ORP		•	•	•	•	•
	Temp				•	•	•
	Water Level				•	•	•
	Tank Level				•	•	•
	Digital Flow				•	•	•
	Total Dissolved Solids				•	•	•
	NaCl (Salt)				•	•	•
Features and Capabilities	Backup Sanitization			•	•	•	•
	Auxiliary Relays			1	1	2	2
	PVC Backboard	•		•	•	•	•
	Flow Cell/Flow Sensor	•		•	•	•	•
	Installation Kit ¹	•		•	•	•	•
	Wireless, Web-based Communications ²					Wi-Fi and Cellular	Wi-Fi Cellular and Satellite
	Gold ORP Sensor (for Salt Chlorination) ³	Optional	Optional	Optional	•	Optional	Optional
	Machined Flow Cell & Rotary Flow Sensor ⁴	Optional	Optional	•	Optional	Optional	Optional

¹ Installation kit includes two quick connect fittings and 30' of 3/8" OD poly tubing.

² Specify transceiver type when ordering.

³ Specify -AU option for Gold ORP Sensor.

⁴ Specify -075 option for Machined Acrylic Flow Cell with Rotary Flow Sensor.

NEW CAT 6000

Available Starting March, 2018.
Ask Us For Details.



CAT Controller – 1000

Automated controller monitors and automatically maintains healthy pH balance, protecting the pool surface & equipment while promoting bather comfort. It implements chemical feeding in proportion to demand, ensuring precise pH maintenance without overfeeding

- The perfect enhancement for salt-chlorine systems
- Protect your investment
- Spend more time enjoying your pool instead of making routine pH adjustments
- 5-year limited warranty on controller; 2-year limited warranty on sensors

901092 CAT 1000 PH Controller



CAT Controller – 2000

Constantly monitors pH and sanitizer activity (chlorine, bromine, even salt systems) and automatically implements chemical feeding in proportion to demand for picture-perfect water quality at all times

- Digital, microprocessor-based design with flash technology
- Advanced Control Features including proportional feed
- Weatherproof membrane switch front panel interface
- All factory settings are permanently stored in memory
- Simple installation, setup & operation
- Compatible with all types of chemical feed equipment
- Dry-contact outputs provided for salt-chlorine systems
- 5-year limited warranty on controller; 2-year limited warranty on sensors

81501 2000 pH/ORP Automation System



CAT Controller – 3500

TDS and Salt monitoring. The controller is equipped with state-of-the-art sensing and control capabilities tailored specifically for salt chlorine applications. Powerful and intuitive, these new models offer the utmost in convenience in pH, ORP, conductivity/NaCl, backup sanitization & temperature

- Features wireless Wi-Fi communications
- Dual sanitizer set points for back-up ORP control; temperature sensor for heater control
- Auxiliary relay for control versatility
- Comes with professional Series pH, ORP and Conductivity sensors for unsurpassed performance
- Perfect complement to Saline C Series Salt Chlorine Generators
- 5-year limited warranty on controller; 2-year warranty on sensors

S/O CAT 3500 Controller



CAT Controller – 4000

Wireless commercial remote water quality controller. The controller provides picture-perfect water quality on-site & remote monitoring via the Internet or web-enabled mobile device. You can easily log onto PoolComm to activate your wireless account and begin monitoring your water quality. You can view water quality data, print charts, analyze graphs, customize your settings and receive notifications via email or SMS

- Wireless Wi-Fi communications
- Automatic data logging, remote adjustments & alarms via web interface
- Includes microprocessor based pH/ORP controller, heavy duty 2 year sensors, flow cell with fail safe Rotary flow sensor pre mounted on PVC

81482 4000 Wi-Fi Transceiver Acrylic S/O 4000 Cellular Transceiver Acrylic 98189 Air Time (Optional) per month



CAT Controller – 5000

The CAT 5000 is the worlds first wireless, internet based water quality controller employing both satellite and terrestrial communications to provide worldwide coverage

- State-of-the-art micro-processor based technology with integrated Wi-Fi communications. (Additional fee required—Air time fee per month)
- Eliminates the cost of installing and maintaining dedicated analog telephone lines
- 4 different wireless communication protocols ranging from Wi-Fi®, Reflex, Cellular to Satellite
- You can monitor & maintain via web from any internet-enabled computer, mobile device, or PoolComm App for iPhone® & Android®
- 5-year limited warranty on controller 2-year warranty on sensors

S/O 5000 Wi-Fi Transceiver Acrylic S/O 5000 Cellular Transceiver Acrylic 98189 Air Time (Optional) per month



CAT Controller – 5500

Discover the latest in powerful water chemistry controllers complete with TDS and Salt monitoring. Wireless, communicating controller are equipped with state-of-the-art sensing and control capabilities tailored specifically for salt chlorine applications. Powerful and intuitive, these new models offer the utmost in convenience in pH, ORP, conductivity/NaCl, backup sanitization and internet-based monitoring

- pH and ORP controller with conductivity/NaCl monitoring
- Dual sanitizer set points for back-up ORP control; temperature sensor for heater control
- Perfect complement to Saline C® 6.0 Salt Chlorine Generator
- 5-year limited warranty on controller; 2-year warranty on sensors

903554 CAT 5500 Chem Controller Wifi



HCC 1000 pH Controller

The HCC 1000 is a single channel pH water chemistry controller that provides powerful technology in a simple, affordable package

- Perfect for new and existing applications, especially saltwater pools
- Automation eliminates time and risks of making manual pH measurements and adjustments
- Proper pH maintenance enhances chlorine effectiveness, bather comfort and safety
- 1-year limited warranty on controller and factory labor

S/O HCC 1000 pH Controller With Pre-Mounted Chemical Feed Pumps

CAT Controller – Probes

81580 ORP Probe 24" Cable
81576 pH Probe 24" Cable
81578 ORP Probe Gold 24" Cable



HCC 2000 Controller

Perfect for swimming pools, spas, and water features, the HCC 2000 is a powerful yet affordable microprocessor-based pH and ORP water chemistry controller. The controller features proportional feed to ensure precise water chemistry maintenance, and operates using the Oxidation-Reduction Potential (ORP) method of water analysis to ensure rapid deactivation of such waterborne pathogens as E. coli in swimming pool water

- Comes with chemical feed equipment compatible with all existing chemical feed systems; chlorine, bromine, electronic chlorine (salt) generators, acid and CO2
- Complete package offers a total chemical automation system for easy installation and ultimate convenience
- 1-year limited warranty on controller and factory labor

S/O HCC 2000 Controller With Pre-Mounted Chemical Feed Pumps



ORP/pH Liq. Chlorine/Liq. Acid System

- SYSTEM INCLUDES:**
- Programmable Digital OrP/pH controller
 - Flow cell
 - Flow switch
 - Sample valves
 - ORP and pH probes
 - 40' of Black 3/8" tubing
 - 100' Clear 7/16" tubing and fittings
 - Complete system mounted to a polypropylene board
- 81288 Two 32 GPD Peristaltic Pumps
81295 32 GPD & 12 GPD Peristaltic Pump
81297 Two 12 GPD Peristaltic Pumps



ORP/pH Erosion Feeder System

- SYSTEM INCLUDES:**
- Programmable Digital ORP /pH controller
 - Flow cell
 - Flow switch
 - Sample valves
 - ORP and pH probes
 - 40' of Black 3/8" tubing
 - 100' Clear 7/16" tubing and fittings
 - One Peristaltic Pump (32 GPD)
 - 120V solenoid kit (includes solenoid, in-line filter and check valve)
 - Complete system mounted to a polypropylene board
- Erosion feeder not included*
- 81289

NOTE: These systems are designed to control pools up to 100,000 gallons. Larger pools may require larger GPD peristaltic pumps. It is recommended that an in-line filter system be used before the flow cell.



ORP/pH Salt System

- SYSTEM INCLUDES:**
- Programmable Digital ORP /pH controller
 - Flow cell
 - Flow switch
 - Sample valves
 - ORP and pH probes
 - 40' of Black 3/8" tubing
 - 100' Clear 7/16" tubing and fittings
 - One Peristaltic Pump (32 GPD)
 - Complete system mounted to a polypropylene board
- Power output to salt generator (not included) is 110V 5 AMP*
- 81219

Need help finding the right solution for you? Contact a Leslie's professional today to have a system designed specifically for your needs.

ROLA-CHEM PARTS

Chemical Feeder Parts

- 617031 Global flow cell with switch
- 617030 3/8" Tube quick-connect valve
- 625651 Probe replacement fitting
- 627011 Screw #12 3/4"
- 617040 Solenoid kit 120 V (includes solenoid in-line filter check valve)
- 625664 Check valve 3/8" hose barb - hose barb
- 625663 Check valve 1/4" hose barb - MPT
- 625657 Injector adapter 1/2" brass fitting
- 611202 Injector adapter 1/4" plastic fitting
- 617013 ORP gold-tip probe salt water
- 625632 1/4" Black tubing
- 16330 3/8" Black tubing
- 625695 ORP heavy duty controller probe
- 625696 pH heavy duty controller probe
- 625646 1/4" Tube to pipe connector
- 625651 3/8" Tube to pipe connector

CHEMICAL FEEDER



FLEXFLO® STAR III® System

- The Star III® is equipped with the FLEXFLO® A-100NA Chlorinator and tank size of your choice: 7 gallon, 15 gallon, or 30 gallon
 - Ships with all necessary accessories
 - The polyethylene tank has extra heavy wall thickness for stability and chemical resistance
 - U.V. inhibitor for sunlight protection
 - The tank lid can be placed in the open, closed, or vented position
 - Convenient rectangular shape is raised off floor for easy wash down
- S/O FlexFlo Star III System

FEEDER TANKS



Chemical Feed Tanks

- S/O 5 Gallon Tank
 - 81710 S/O 15 Gallon Tank
 - 81720 S/O 30 Gallon Tank
 - 81730 S/O 50 Gallon Tank
- Chemical Feed Tank Parts**
- S/O Stand with Bracket for 30 Gallon Tank
 - S/O Stand Only for 30 Gallon Tank
 - 81753 S/O Stand w/Bracket for 50 Gallon Tank
 - 81660 S/O Threaded Injector
 - 81665 S/O Foot Valve for 3/8" OD Tubing
 - S/O Pump Head Kit 3/8" OD Acrylic, Pressure Relief, Viton O-ring & Diaphragm
 - 81700 S/O 1/4" (100') Polyethylene Tubing
 - 81702 S/O 3/8" Tube Assembly Neoprene
 - 81703 S/O 3/8" Tube Assembly Vinyl

Commercial Pool Chlorination

Leslie's Sani-Tower systems have the right solution for all your sanitization needs. Our Sanitizing feed systems are ideal for pools and spas indoor or out. Contact a Leslie's professional today to get facility specific solutions that will support your needs, save time and Money!

FREE SANI-TOWER OFFER - Call your regional commercial center for additional details. *Limited supply. Installation costs not included in Free Promotion.



New Larger Size



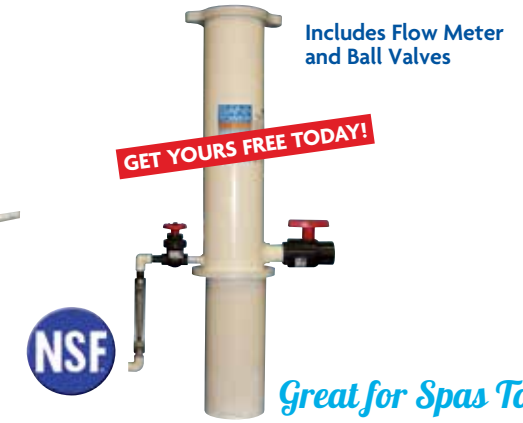
Sani-Tower® 500

- Quick and easy installation
 - NSF Std 50 certified chlorine delivery, up to 16 lbs per hr
 - Capacity: Outdoor, stabilized pools up to 500,000 gallons, indoor pools up to 1 million gallons
- 16219 S/O



Sani-Tower® 275

- Quick and easy installation
 - NSF 50 Rated
 - Capacity: Outdoor, stabilized pools up to 200,000 gallons, indoor pools up to 500,000 gallons
- 16201 S/O



Sani-Tower® 90

- Specially designed for pools up to 90,000 gallons (outdoor stabilized)
 - 30 lb tablet capacity
 - NSF Standard 50 with Leslie's Power Pro Tabs
 - Indoor Capacity
- 16214 S/O

Discover the Advantages of the Sani-Tower® System

	SANI-TOWER® SYSTEM	12% LIQUID CHLORINE	TRICHLOR	CHLORINE GENERATORS
SAFETY	No containment needed. Solid form of chlorine.	Dual containment required.	Solid form of chlorine. Off-gassing and noxious fumes. Pressurized feeder requires care to refill.	Minimal safety concerns.
HANDLING	A 50-lb pail of PowerPro tablets is equal to a 55-gallon drum of liquid chlorine weighing over 500 lb	Large polyethylene holding tanks can be difficult to fill. 55-gallon drums are hard to maneuver.	Various size pails.	40-lb bags of salt. Very large quantities required during start-up. To reach 3,000 ppm in a 200,000 gallon pool, it would take 125 40-lb bags of salt.
CHEMISTRY	pH of 10 means easier water balance. Helps maintain alkalinity. Chlorine strength degrades slowly.	pH of 13 requires large amounts of acid to balance water (2 to 3 times as much acid addition as PowerPro tabs). Chlorine strength can degrade rapidly. Concentrated (120,000 ppm) hypochlorite solution is very corrosive to equipment.	pH of 3 requires large additions of sodium carbonate to balance water. Destroys alkalinity. Raises stabilizer levels. Not recommended for indoor use. Chlorine strength degrades slowly. Very corrosive to equipment.	Must maintain - 3,000-9,000 ppm salt concentration in the pool; salt is converted to chlorine as it passes through the cells.
MAINTENANCE	Minimal maintenance. Required cleaning 1 to 2 times per year.	Feed pumps need constant repair and tubing leaks regularly. Gas locking of pump is not uncommon.	Minimal maintenance.	Must replace costly cells every two to four years. High energy cost to operate.



Leslie's Exclusive Power Pro™ 1 1/4" Calcium Hypochlorite Tablets

- The only tabs approved for use in Sani-Tower chlorinators
- Cyanuric acid-free
- Scale inhibiting formula
- NSF Certified if used in a Leslie's Sani-Tower

Power Pro Tabs

See page 18

Order online at LesliesPool.com or by phone at 1.800.LESLIES (537.5437) option 3

FEED SYSTEMS



Hayward In-Line Chlorine Feeder

Hayward chlorinators are ideal for new and existing pools and work automatically with the system's recirculation pump. Efficient and maintenance-free, these feeders provide a durable and corrosion-proof means of automatically maintaining proper sanitizer levels. Provides extra pool safety by preventing children from touching chlorine tabs that are floating in pool skimmers.

16208 CL200 In-line Feeder

Hayward Off-Line Chlorine Feeder

Hayward's Off-Line Chlorinator is suitable to feed chlorine tablets to your in-ground swimming pool with efficiency.

- Off-Line Chlorinator
- Suitable for in ground swimming pools
- 9 lb tablet capacity
- For use with three inch chlorine tablets or sticks

16205 CL220 Off-Line 9 lb Feeder

16104 Off-Line Bromine Feeder

EROSION FEEDERS



A Flow indicator is necessary to meet NSF requirements



Rainbow Chlorinators

- ABS plastic construction
- Dial-control valve for easy feed-rate adjustments
- Proven reliability
- Less flow restriction than other models
- 5 lbs, 9 lbs and 14 lbs capacity

- 81308 320 (in-line) 5 lbs capacity
- 81307 300 (off-line) 5 lbs capacity
- 81309 30019 (off-line) 9 lbs capacity
- 81306 30029 (off-line) 14 lbs capacity
- 81310 30029X (off-line) 14 lbs capacity
- 81305 HC-3315 14-lbs capacity
- 81311 HC-3330 30-lbs capacity

- 81313 HC-3340 40-lb capacity
- 81301 S/O Flow Indicator for 30029X
- 81302 S/O Flow Indicator for Rainbow
- 16387 S/O 320 Spa Chamber for 320
- Rainbow Chlorinator Parts**
- 16378 S/O RA Chlor Parts for 1/2" tubing
- 611727 RA Chlor Parts for 1/4" tubing
- 16370 Cap, white
- 66565 O-Ring cap
- 16418 Tubing 12 ft 1/2"
- 16330 Tubing 8 ft 3/8"
- 16391 Control Valve 1/2"
- 16390 Control Valve 1/4"

SECONDARY SANITIZER

Prozone's Chemical Free Hybrid Oxidation Ozone Generators

The rugged systems are built to withstand tough environments with simple and reliable operation and maintenance. All Prozone Hybrid systems come turn-key for fast and easy installation. Create both ozone and hydroxyl radicals for the ultimate in water oxidation and purification. Each Hybrid system is venturi or compressor driven, injecting consistent amounts of ozone under almost any hydraulic condition.



Save up to 80% On Chemicals



Hybrid PZ2 Series
• Treats 25k – 150k gallons of pool water S/O



Corona Discharge
• Treats 25k – 150k gallons of pool water S/O



Ozone Hybrid Generator
• Treats 150k – 300k gallons of pool water S/O



Corona Flow
S/O

UV SYSTEM

Commercial Sanitization

With our sanitization solutions, commercial pools and spas benefit from the clearest, safest water possible and the same natural comforts of salt chlorination so common in the residential market. New HydroRite UV03 supplementary disinfectant treatment system supports the Model Aquatic Health Code (MAHC), provides protection against recreational waterborne illnesses (RWIs) and reduces chlorine demand by at least 50%. Pair with Saline C® 6.0 for a completely automated sanitization system.

Low-Risk Investment for High-Risk Environments.

Eliminate 99.9% of bacteria for 100% peace of mind.

HydroRite UV03 from Hayward Commercial Pool sets a new standard in water quality, utilizing UV, Ozone and AdvancedOxidants to drastically reduce the threat of deadly recreational waterborne illnesses (RWIs). Used as a supplementary disinfectant system as recommended by the U.S. Centers for Disease Control's Model Aquatic Health Code guidelines, HydroRite delivers a powerful trio of disinfectants that work synergistically to inactivate more than 99.9% of harmful chlorine-resistant microorganisms. NSF Certified HydroRite UV03 makes it easier and more affordable than ever to provide your facility the most advanced all-in-one UV and Ozone system the industry has ever seen.

Stay on the safest side of sanitization

High bather loads create higher bacteria levels—most left untreated by chlorine alone. As a proactive measure, the U.S. Centers for Disease Control (CDC) has created the Model Aquatic Health Code (MAHC), which highly recommends the use of UV or Ozone as a supplementary disinfectant treatment. Hayward's HydroRite UV03 will ensure that your commercial facilities stay on the cutting-edge of swimmer safety by reducing waterborne illnesses due to harmful chlorine-resistant microorganisms.

HydroRite™ UVO3 Commercial UV Ozone Advanced Water Treatment System

- Supplementary disinfection as recommended by CDC's Model Aquatic Health Code
- Advanced water treatment system combining 3 powerful disinfectants
- Inactivates more than 99.9% of harmful chlorine-resistant microorganisms such as Cryptosporidium and Giardia
- Reduces irritating chloramines by 50% or more, improving indoor air quality
- Reduces overall chemical usage and chlorine demand by 50% or more, lowering operating costs and extending the life of salt chlorination cells
- NSF/ANSI Standard 50 Certified 900101 H/W 2 in HydroRite UV/Ozone System





45 Series



85 Series



A-100NF Dial Knob Control



A-100NV Digital Control

Stenner High Pressure Peristaltic Pumps

45 Series Fixed Model

- No adjustment
- Output equivalent to setting 10 on the adjustable pump
- 25 psi / 1.7 bar**
0.2 to 50 GPD
0.8 to 189.3 LPD
- 100 psi / 6.9 bar**
0.2 to 22 GPD
0.8 to 83.3 LPD

81650 S/O Model 45m 1/4" 50 GPD

81652 S/O Model 45mhp 1/4" 12 GPD

*115V or 230V – Specify Voltage when ordering

85 Series Adjustable Model

- External dial ring
- 5%-100%, 2.5% increments
- 25 psi / 1.7 bar**
0.3 to 85 GPD
1.1 to 321.8 LPD
- 100 psi / 6.9 bar**
0.3 to 40 GPD
1.1 to 151.4 LPD

81651 S/O Model 85m 1/4" 85 GPD

81653 S/O Model 85mhp 1/4" 19 GPD

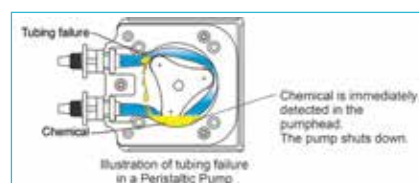
Blue White Variable Speed Peristaltic Pumps

- Peristaltic pump design doesn't have valves that require maintenance
- Self priming – even against maximum line pressure. By-pass valves are not required. Can't vapor lock or lose prime
- Outputs to 5.17 GPH
- Outputs pressures to 100 PSI (6.9 bar) Output volume is not effected by changes in back pressure
- Patented pump tube design installs easily and stays centered on the rollers without manual adjustment
- 2 pump tubes supplied with each pump. No extra tubing required
- Operator friendly

81670 S/O 22 GPD

81680 S/O 49 GPD

81690 S/O 60 GPD



Rola-Chem Feeder Pumps

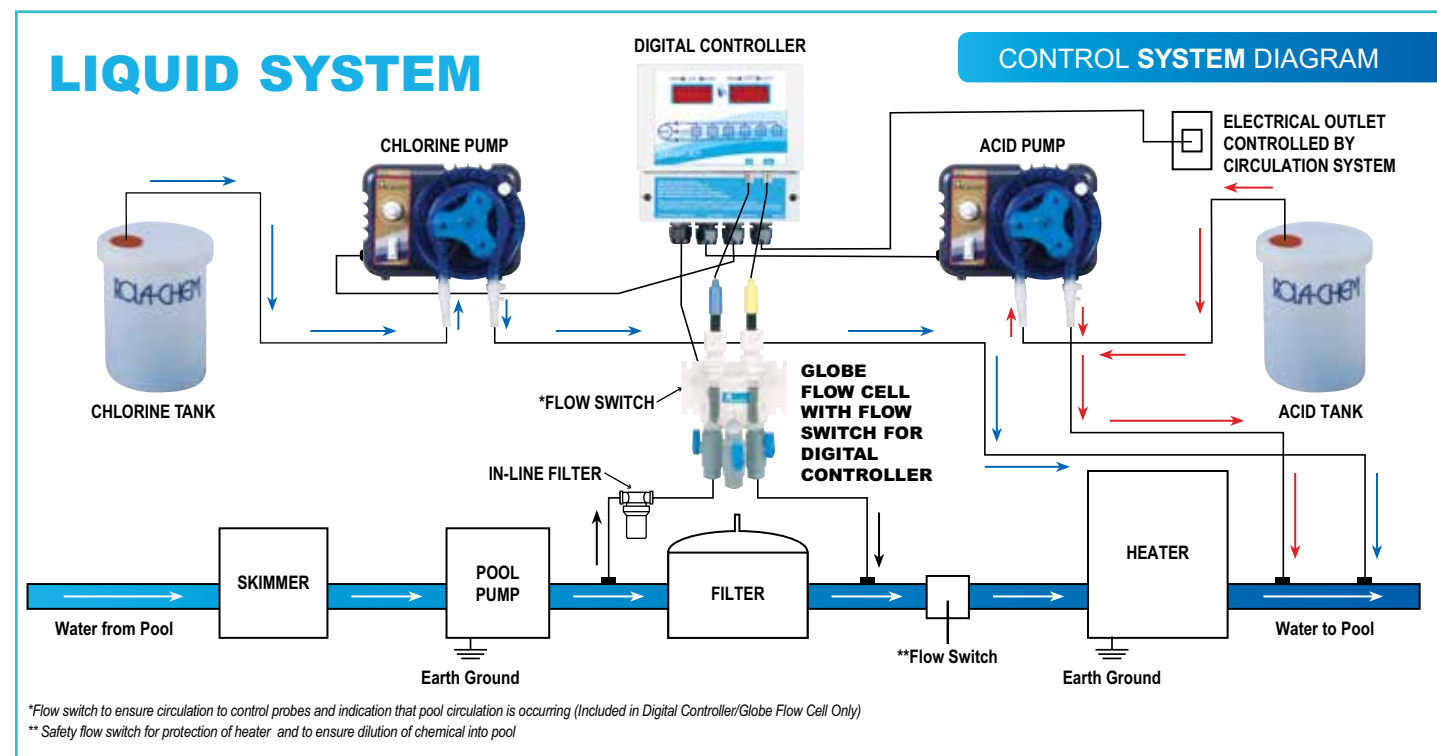
Rola-Chem peristaltic chemical feed pumps are enclosed in impact resistant plastic cases and feature built-in solid state timers. Pumps are designed with 3-way bypass switches. Run on the "timer" position for interrupting action or run in the "on" position for continuous dispensing. Heavy-duty, air-cooled motor has a thermal overload protection system and a maximum pressure of 30 psi. Pump heads are molded Lexan®, hi-impact, and polycarbonate resin. 1-year manufacturer warranty.

- Self-priming peristaltic pump
- Available in 120V or 240V
- Specify cord or conduit installation

81672 S/O RC25 53 12 GPD, 120V

81673 S/O RC105 32 GPD, 120V

81674 S/O RC503 72 GPD, 120V



Online Training Available

Leslie's and the National Swimming Pool Foundation (NSPF®) offer numerous online training classes including:

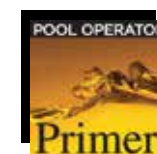
- Pool Operator Primer™
- NSPF Aquatic Management Series
- OSHA 30-Hr. Training Course
- Occupational Safety
- Employment Law
- Health Care
- Department of Transportation
- Environmental Management
- Professional Development
- Electrical Safety Work Practices & Standards (NFPA 70E)



You can access these cost-effective educational opportunities through our website: lesliespool.com/commercial

Save 20% OFF the retail price of Online Training through Leslie's. Use Discount Code: *leslies2018*

As an IACET Authorized provider, the NSPF offers CEUs for its programs that qualify under IACET guidelines. Look for the logo denoting the programs that qualify.



+



=



Pool Operator Primer™

This online training program can be the first step to earning CPO® Certification or, it can be excellent stand-alone education in the fundamentals of pool operation. This online curriculum follows the 18 chapters in the NSPF® Pool & Spa Operator™ Handbook, which is provided. Students have access to the Pool Operator Primer online course for six months, which gives them the opportunity to review the material many times. Successful completion of the Pool Operator Primer earns a Record of Completion. If you choose to pursue the CPO® Certification, contact your local Leslie's store or go to our class schedule page to enroll in a Pool Operator Fusion™ class within six months of completing the Pool Operator Primer.

Pool Operator Fusion™

This one-day class is offered by certified NSPF® Instructors and is an economical and convenient way to achieve the CPO® Certification. This one-day class can either be the second day of any two-day classroom certification course, or it can be a stand-alone one-day Pool Operator Fusion™ class. Sign up for a Fusion class by contacting an NSPF® Instructor or go to the class schedule page to find a class near you. Students must present a Pool Operator Primer™ Record of Completion and successfully complete the Pool Operator Fusion™ class to obtain a CPO® Certification.

We've Certified Over 18,000!

Benefits Of Trained, Certified Personnel

- Potential insurance savings
- Reduced liability
- Compliance with state and local regulatory requirements
- Operational savings – equipment, chemical and personnel
- Safe, clean, clear and sanitary pool/spa water means satisfied guests, residents or patrons



Leslie's Instructors recognized with certifying the most participants

Recognized for over 20 years as the Pool Industry's Training Leader 1998 – 2017

Commercial Salt Chlorine Generators

The Saline C Series of electronic chlorine generators provides an elegant, rugged solution specifically designed to meet the demands of commercial installation. The new Saline C 11.0 model is capable of generating 11 lbs of chlorine per day, complementing the current Saline C 6.0, which is capable of generating 6 lbs per day. Both systems deliver all of the benefits of salt chlorination without the wasted space and extra cost of multiplexing multiple residential units.

Hayward Saline C® Series

- One Saline C 6.0 unit can handle a up to a 60,000-gallon outdoor pool or a 90,000-gallon indoor pool*
- One Saline C 11.0 unit can handle a up to a 110,000-gallon outdoor pool or a 165,000-gallon indoor pool*
- Compact design with single electrolytic cell
- 110V plug-in efficient switch mode power supply
- Industrial-grade clear vessel for easy inspection
- Plug N' Play chemical automation
- Reduce chloramines and associated odors/corrosion
- Simple low-cost installation vs. multi-cell alternatives
- NSF Certified
- 2-year limited warranty
- 110V plug-in efficient switch mode power supply
- Industrial-grade clear vessel for easy inspection
- Plug N' Play chemical automation
- Reduce chloramines and associated odors/corrosion
- Simple low-cost installation vs. multi-cell alternatives
- NSF Certified
- 2-year limited warranty



Saline C™ 6.0 Commercial Salt Chlorine Generation System

- Produces up to 6 pounds of chlorine per day
- Commercial sizing 60k gal outdoor, 90k gal indoor
- Compact design, single cell and power supply for easy install
- Industrial-grade, clear vessel, easy inspection
- Reverse polarity self-cleaning technology

81519 Saline C 6.0 Commercial Salt Generation System



Saline C™ 11.0 Commercial Salt Chlorine Generation System

- Produces up to 11 pounds of chlorine per day
- Commercial sizing 110k gal outdoor, 165k gal indoor

88665 Saline C 11.0 Com Salt Generation System

*Please check local codes. The sizing provided is based on: 1 lb of chlorine production per 10,000 gallons of water volume (outdoor pools) 1/2 lb of chlorine production per 10,000 gallons of water volume (indoor pools)



SwimPure Chlorine Generator

- Generates 100% of pool and spa's chlorine
- Right-sized chlorination – choose from 15K 25K or 40K gallon Turbo Cell - Turbo Cells are sold separately – 3 sizes now available
- Clean, clear and luxuriously soft water, automatically

80319 SwimPure Extreme Controller & 40k Cell (lasts 20% longer)

81319 SwimPure Controller & 40k Cell

81516 SwimPure Controller & 15k Cell

81517 SwimPure Controller & 25k Cell

81583 SwimPure Controller Only



Swim Pure Replacement Cells

80338 SwimPure Extreme T-Cell 15 (40K Gal) (lasts 20% longer)

81338 SwimPure T-Cell 15 (40k gal)

81343 SwimPure T-Cell 9 (25k gal)

81347 SwimPure T-Cell 3 (15k gal)

15508 Goldline Cell Cleaning Stand

Replacement Cell with Sensor

617100 S/O Fits AquaPure 700

617102 S/O Fits AquaPure 1400



Can produce up to 15 lbs of chlorine per day!

Pool Pilot Professional

- Easy to read digital display
- Simple push button controls
- Commercial grade electrolytic cells (2.5 lbs/day each)
- Trisensor assembly provides a true salt (with salt addition display), and temperature readout (with automatic output adjustments based on temperature changes)
- Patented flow-control manifold assembly
- Improved air and water quality
- Environmentally friendly—green technology

81234 S/O 2-Cell Manifold

81235 3-Cell Manifold

81236 S/O 4-Cell Manifold

81237 5-Cell Manifold

81238 6-Cell Manifold



FACTORY DIRECT FINANCING AVAILABLE



Installation available in most areas

POOL PILOT DIGITAL & SOFT TOUCH SALT CHLORINE GENERATOR COMBO

- Easy to read digital display with simple push button controls
- Trisensor assembly provides a true salt (with salt addition display) and temperature readout (with automatic output adjustments based on temperature changes)
- Patented flow-control manifold assembly
- On board diagnosis with 24-hr and 72-hr boost cycles

Pool Pilot Digital

81211 Digital Power Supply

81207 1-Cell Manifold Assembly

Pool Pilot Digital & Soft Touch Combo

81211 Digital Power Supply

81212 Soft Touch Power Supply

81231 2-Cell Manifold Assembly

Pool Pilot Replacement Cells

81510 Replacement for Single Cell Units

81273 Replacement for Multiple Cell Units



Can Produce up to 2.5 lbs of Chlorine per day!

Can Produce up to 5 lbs of Chlorine per day!

SINGLE CELL SYSTEM



1-YEAR WARRANTY

SG 5000 Single Cell Commercial System

Extended warranty programs available

- Produces up to 2.3 lbs of chlorine per day
- Cell independent of clear cell housing
- Flow sensor built into cell base; no additional plumbing
- No need to use acid when cleaning cell – remove buildup with ARD cleaning tool

81502 S/O (2.3 Lbs per day)

REPLACEMENT SALT CELLS



SG 5000 Replacement Cell

- Produces up to 2.3 lbs of chlorine per day
- Cell independent of clear cell housing
- Flow sensor built into cell base
- No need to use acid when cleaning cell

81503 Cell w/ Plug and Cap

68528 Cell Housing

68529 Cell O-ring

68531 Cell Clips (4-pack)

SALT CELL CLEANER

Salt Cell Cleaning Stand

Convenient way to clean your salt cell without the mess. Screws onto the cell and allows you to pour the cleaning solution directly in the cell compartment.

15508 Cleaner Stand



POOL SALT



Leslie's® Pool Salt

- For use with all salt chlorine systems
- Ultra-pure, evaporated, fine formula

16458 40 lbs

16470 40 lbs CDC Store Only

16464 50 lbs Pellets

85060 400 lbs (10 x 40 lbs)

Additional freight may be required

MORTON POOL SALT



System Saver II Pellets

16450 40 lbs

16451 50 lbs

Pro Choice Salt

16465 40 lbs

White Crystal® Solar Salt

16454 40 lbs

16452 50 lbs

SCALE PREVENTER

Ultimate Scale & Stain Control

- Monthly application protects and maintains the beauty of all pool surfaces
- Protects against stains, mineral scales, and scum buildup

14223 1/2 gal



Protects Salt Cells From Build-Up

For other Scale Preventers

See page 22

MORE EFFICIENT... BETTER PERFORMANCE

Improve your bottom line, offer a healthier environment for the swimmer, help improve air and water quality, interested? Pentair is the right company for you.

INTELLIBRITE® 5G LED LIGHTING

The brightest and most energy efficient LED lights available for underwater pool and spa. Up to 89% less energy consumption than comparable incandescent lights.

INTELLIFLO® AND INTELLIFLO XF® VARIABLE SPEED PUMPS

Put the game-changing, money-saving innovation of IntelliFlo pumps to work for you. Energy savings up to 90% versus traditional pumps with a cost savings up to \$1,500 each year. Ultra-quiet. Eight programmable speed settings maximize efficiency.

ACU DRIVE™ XS VARIABLE FREQUENCY DRIVES

As the heart of the pump room, this is built to save energy, space, costs and time. Energy savings allow for a quick return on investment. Up to 98% efficiency.

Call for more information about our commercial swimming pool products.

We focus on Energy Efficiency and you enjoy the benefits!



ACU DRIVE™ XS
VARIABLE
FREQUENCY DRIVES



INTELLIBRITE®
5G LED
LIGHTING



EQ Series®
COMMERCIAL
PUMP



INTELLIFLO®
VARIABLE SPEED
PUMP



INTELLIFLO XF®
VARIABLE SPEED
PUMP

COMMERCIAL VARIABLE FREQUENCY DRIVE



Acu Drive XS VF

- Save up to 60% or more on pump's electricity usage
- "Right-size" your pump to the exact flow required
- Saves energy with constant flow as the filters gets dirty (with optional flow sensor)
- Off-hour flow management capability
- Does not blow corrosive filter-room air across the circuitry
- High efficiency up to 98% – adjusts drive input voltage for best efficiency point
- Eliminates need for motor starters
- Integrated disconnects, fusing and optional bypasses
- 2-step ramps (Soft Start Feature)
- Real-time clock for time based functions
- Great match for 3-phase models of EQ Series® Pumps
- Overload trip protection protects motor & Acu Drive XS VF Drive from Voltage Spikes & phase unbalance
- Can connect to an IntelliTouch® Automation System
- Up to a six year on-site warranty available
- Start-up included with every drive (technical training option available)
- Indoor & Outdoor-rated enclosures
- One drive type for the full power range
- For use with 3 phase pumps only
- Acu Drive XS VF Drives with single phase input power available

S/O Acu Drive XS VF



Increased Pump Performance

The Acu Drive XS VF drive offers built-in intelligence for increased performance in all aquatic pump applications. Specified to save energy, space, costs and time, the AcuDrive XS VF drive is built to be the heart of the pump room. With minimal payback time due to energy savings, the Acu Drive XS VF drive is equipped with a feature that continuously displays the time remaining until the drive pays for itself. Built with powerful standard and optional features specifically designed for energy optimization, the Acu Drive XS VF drive is perfectly matched with the full line of pumps by Pentair Commercial Aquatics™.

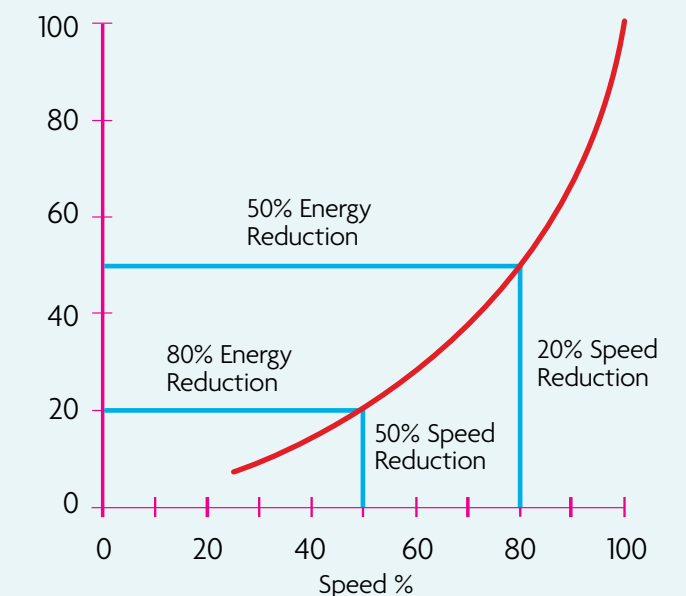


SAVE ENERGY • SAVE COSTS • SAVE SPACE • SAVE TIME

Affinity Law

Significant Energy Savings are achieved with even a modest reduction speed

Ideal Energy Consumption at Varying Speed





WhisperFlo® High Performance Pump

- Oversized strainer basket and volute – industry standard in pool pumps
- Standard and Energy-efficient Square Flange Motors available
- Lower HP's deliver higher performance than industry standard
- Compatible with all cleaning systems, various filters and jet action spas
- Heavy-duty/durable construction is designed for long life
- New motor increases life, energy, efficiency, ease of installation and better cooling for long service life

43491 1 HP 43492 1.5 HP
43493 2 HP 43494 3 HP



WhisperFloXF® High Performance Pump

- Drop-in replacement for all WhisperFlo® Pump models. Simple replacement for Challenger® Pumps*
- Hydraulic isolator separates priming water from pumping water for faster priming, more turbulent-free flow and increased efficiency
- Union connectors included for connecting directly to 2.5 in or 3 in plumbing
- Extra large, robust basket with smooth surface for easy debris removal
- Easy-carry handle; easily removable ergonomic lock ring; and see-through lid for easy basket inspection
- Three Phase XF pumps are compatible with Pentair's Acu Drive XS VFD's

WhisperFlo XF S/O
40181 XFE-8 2 hp 1 phase 305740 XFE-12 3 hp 1 phase
304909 XFE-20 5 hp 1 phase 40182 XFK-8 2 hp 3 phase
40183 XFK-12 3 hp 3 phase 323130 XFK-20 5 hp 3 phase

PENTAIR HIGH FLOW PUMP



Challenger® High Flow Pump

- See-through Lid with Large Strainer Basket
- User-friendly removable drain plugs and Clamp band for easy service
- Most diverse offering in voltage and horsepower
- Fiberglass Reinforced Pump with Closed Impeller, Single Speed

43485 .75 hp 43486 1 hp
43487 1.5 hp 43488 2 hp
43489 3 hp



IntelliFlo® VSF High Performance Pump

- Eight programmable speed or flow settings and built-in timer
- Rotatable keypad with optional wall mount kit (sold separately)
- Top-mounted field wiring compartment is easier to access and connect
- Totally enclosed fan-cooled design for increased performance and long life
- Menus are easier than ever to use
- Precisely maintains system flow requirements
- Compatible with Pentair Automation

40033 Variable Speed Pump



IntelliFloXF® VSF® High Performance Pump

- Eight programmable speed or flow settings and built-in timer
- Rotatable keypad with optional wall mount kit (sold separately)
- Top-mounted field wiring compartment is easier to access and connect
- Totally enclosed fan-cooled design keeps motor shielded from the elements for extended life
- Menus are easier than ever to use
- Union connectors included for connecting directly to 2.5" or 3" plumbing
- Precisely maintains system flow requirements
- Compatible with Pentair Automation

S/O XF VSF Pump

Complies with Virginia Graeme Baker Safety Act



IntelliFlo® VS+SVRS® High Performance Pump

- Ability to program exact pump speeds for specific operations – filtering, heating, cleaning, spa jets, water features and more – reduces energy costs up to 90%
- Built-in diagnostics protect the IntelliFlo pump from the most common causes of premature failure – overheating, freezing, and voltage irregularities
- Includes priming protection. No SVRS calibrations needed. Built-in SVRS cannot be turned off
- Safety lock-out feature (password protected) prevents pump speed settings from being changed by unauthorized personnel
- Compatible with Pentair Automation Systems
- Compliant with the current ASME A112.19.17
- Operates seamlessly on 50 hz or 60 hz input power Flow/speed are constant when operating on 50hz or 60 hz.

40023 VS + SVRS Pump



C Series® High Performance Commercial Bronze Pumps

For commercial and high-end residential swimming pools and other water Applications. Available in flows to 740 gpm, and from 5 to 20 hp. The C Series pump is a heavy-duty pump specifically designed for large pools, fountains and water attractions that demand high-flow rates and continuous operation. With bronze construction and a stainless steel strainer basket, the C Series pump is perfect for the toughest indoor or outdoor projects. This pump's lasting efficiency, quiet operation, easy maintenance and durability has set the standard for medium and high-head performance in the pool industry for many years. Available with and without a hair and lint strainer.

- All bronze construction for strength and durability
- Close coupled for quiet, stable flow
- Heavy-gauge stainless steel strainer basket, with open area five times the area of the suction port
- 6-inch suction and 4-inch discharge for maximum efficiency with strainer
- Closed impeller for longer motor bearing life
- Heat-resistant seal for operation up to 150° F
- Available in single- and three-phase 50 and 60 Hz models
- 200/208 and 575 volt models available on request
- One-year limited warranty. See warranty for details

84564 S/O 5 hp, 230V Single Phase S/O 10 hp Single Phase
S/O 7.5 hp Single Phase 84559 S/O 10 hp, 220-440V 3-Phase
84555 S/O 5 hp, 220-440V 3-Phase 84561 S/O 15 hp, 220-440V 3-Phase
84557 S/O 7.5 hp, 220-440V 3-Phase S/O 20 hp, 220-440V 3-Phase



EQ Series® High Performance Commercial Pump

For commercial and high-end residential swimming pools and other water applications EQ Series pumps are designed for maximum efficiency and quiet operation in every detail. They are the only non-corrosive, all plastic pumps designed for the commercial pool and water applications market. The EQ Series pump impellers are manufactured for true breakthrough performance, allowing for lower loads and longer motor life. Available with and without the strainer pot. Available in flows to 800 GPM, and from 3 to 15 HP.

- Close-coupled for quiet, stable flow operation
- Lightweight for easy, one-man installation
- Clear Cam and Ramp™ Lid for added service convenience
- Available in single & three-phase models, ODP. TEFC motor available three-phase only
- Closed impeller for long life and durability
- 6" suction and 4" discharge with strainer pot
- Great for use with Acu Drive™ XS Variable Frequency Drives
- Self-priming under NSF standards; NSF Certified



CSP Series™ Commercial Self-Priming Pump

For commercial and public swimming pools and spas, aquatic facilities, water parks and fountain applications where high performance and self-priming characteristics are desired. Rugged, self-priming CSP Series commercial pumps feature an enclosed bronze impeller, standard 6" x 4" flange connections, plus a 1,100 cubic inch capacity hair and lint strainer. Motors are standard JM type, NEMA® Rated "C" flange design with a stainless steel shaft sleeve. These cast iron pumps are available in 7-1/2, 10, 15 and 20 HP, and may be purchased with or without corrosion-preventing epoxy coating on all wetted surfaces. Pump and strainer sold separately.

- Cast iron construction, enclosed bronze impeller and bronze wear rings for long lasting reliability
- Exceptional self priming design with hair and lint strainer installed—allows pumps to be installed above or below water level.
- Oversized hair and lint strainer* with electro-polished stainless steel basket holds a large quantity of debris
- Available in a wide range of performance levels from 7-1/2 to 20 HP to handle your varied pumping needs
- Nationally recognized NEMA rated motors offer high performance under continuous operation
- Back pull-out design enables servicing of normal wearing parts without disconnecting piping
- Dimensionally compatible to most installations for easier initial hook-ups or retrofits
- Integral design base is slotted for ease of mounting

S/O CSP Series Pump
Strainer sold separately



Service and Installation Available!



Installation available in most areas

HCP 4000 Series Pumps

Hayward Commercial Pool's HCP self-priming pumps provide a technologically advanced alternative to traditional bronze or cast-iron pumps. Their lightweight Noryl® thermoplastic housings make one-man installation easy. The all-plastic housing construction and modern TEFC motor design afford a high level of protection and reliability in the commercial pump-room environment. A transparent lid with a tool-free opening mechanism allows visual inspection of the strainer basket, simplifying maintenance. Four pumps in the Hayward Commercial Series, ranging from 5.5 to 12.5 hp, allow right-sizing for most high-flow, medium head applications

- Tool-free, quick-release bolted lid mechanism for fast and easy access to strainer basket
- NSF/ANSI Standard 50 Certified
- **1-year limited warranty** S/O

1-YEAR LIMITED WARRANTY



PART #	HORSEPOWER	VOLTAGE
HCP40553	5.5	230/460 Three Phase
HCP40753	7.5	230/460 Three Phase
HCP401003	10	230/460 Three Phase
HCP401253	12.5	230/460 Three Phase

HCP 3000 Series Pumps

HCP 3000 Series pumps are game changers in commercial pump performance and versatility. Engineered for heavy-duty durability, they set a new standard of flow rate for the 3" union class. A variety of power options, including single or variable speed, means you can provide the optimum solution for a wide range of pools, delivering maximum performance without compromising efficiency.

S/O

**3-YEAR LIMITED WARRANTY ON VSP MODELS
1-YEAR LIMITED WARRANTY ON SINGLE SPEED MODELS**



Variable-Speed Pump Model

PART #	RATED HORSEPOWER	VOLTAGE
HCP3020VSP	2.7	230/460 Three Phase
HCP30201	2.0	230/460 Three Phase
HCP30301	3.0	230/460 Three Phase
HCP30501	5.0	208-230V Single Phase, Single Speed
HCP30203	2.0	208-230/460V Three Phase, Single Speed
HCP30303	3.0	208-230/460V Three Phase, Single Speed
HCP30503	5.0	208-230/460V Three Phase, Single Speed
HCP30703	7.0	230/460V Three Phase, Single Speed

HCP 2500 Series Pumps

EcoStar® C is the industry's most energy-efficient variable-speed pump. It's fully compliant with energy efficiency regulations such as Title 20 and APSP-15 with up to eight custom speed and timer functions, and it's settings can be "locked out" for authorized access only. EcoStar C's advanced hydraulic design moves water more efficiently, operating at lower RPMs to minimize noise and save pool operators up to 90% on energy costs. The system is available with or without integrated SVRS that is fully compliant with the Virginia Graeme Baker Pool & Spa Safety Act.

- **3-year limited warranty**

Option 1

Control interface can be rotated on the pump for convenient access and viewing.
S/O

Option 2

For ultimate flexibility, detach the control interface and attach to wall using included mounting kit and communication cable.
S/O

3-YEAR LIMITED WARRANTY



PART #	DESCRIPTION	SPEED RANGE	VOLTAGE
HCP3400VSP	EcoStar® C	600-3450 RPM	230V Single Phase
HCP3400VSPVR	EcoStar® C SVRS	1000-3450 RPM	230V Single Phase

HCP 2000 Series Pumps

The TriStar® Pump features the industry's most energy efficient hydraulics with the 3 to 5 HP pumps providing unmatched performance in semi-commercial applications. Easy to install, service and maintain, TriStar outperforms the competition when it comes to flow, efficiency and value. It's the first to feature a large, no-rib strainer basket design that is quick and easy to clean.

S/O



Installation available in most areas

1-YEAR LIMITED WARRANTY



PART #	RATED H.P.	VOLTAGE
HCP20053	.5	208-230/460 Three Phase
HCP20073	.75	208-230/460 Three Phase
HCP20103	1	208-230/460 Three Phase
HCP20153	1.5	208-230/460 Three Phase
HCP20203	2	208-230/460 Three Phase
HCP20303	3	208-230/460 Three Phase
HCP20503	5	208-230/460 Three Phase

PUMP & MOTOR PARTS



O-Ring Kits

- New gaskets, seals and O-rings
- 65002 Hayward Super II & RS Pump
- 65005 Pentair Challenger Pump
- 65032 Pentair WhisperFlo Pump
- 65006 Sta-Rite Dura-Glas & Max-E-Glass
- 65774 Pentair BMV (American & PacFab)
- 65775 Hayward BWV SP410
- 65779 Jandy 3-Way Valve

Pool and Spa Lube

- Great for pumps, filters and more
- 68926 3 oz

Seals Plates

- 40736 Seal Plate P/F Challenger
- 40748 Seal Plate SR Duraglass
- other styles and manufacturers available*

Volutes

- 40867 DK Housing P/F Challenger
- 40817 DK Housing SR Duraglass
- other styles and manufacturers available*

Pump Lids

- 40545 Hayward SPX3100D
- 40559 Pentair Challenger 355301
- 40572 Pentair C3139P1

Pump Seals – Viton

- Replace pump seals each time motor is serviced
- 40676 PS100V
- 40677 PS200V
- 40678 PS201V
- 40679 PS1000V

Pump Motor Cover

- 38605

Volute Clamps

- 40217 Clamp Complete P/F Challenger
- 40222 Clamp SR Duraglass
- other styles and manufacturers available*

Knob

- 40529 Knob P/F Challenger Clamp
- 44831 Knob SR Duraglass Clamp
- other styles and manufacturers available*

Impellers

- 40392 Impeller 1.0 hp P/F Challenger
- 40509 Impeller 1.0 hp SR Duraglass
- other styles and manufacturers available*

Diffusers

- 40241 3/4-1.5 hp P/F Diffusers
- 40283 3/4-2 hp P/F Diffusers
- other styles and manufacturers available*

COMMERCIAL HORIZONTAL FILTERS



THS Series Horizontal Sand Filters

- Features: 6" flanged connections, 10-year warranty on tank, manway in front for easy access and smaller footprint, lateral V-slots for self cleaning, accessible drain, internal manway seal to prevent leaks and influent manifold distribution to prevent clogging
- Maximum operating pressure 50 psi

- 85253 S/O 34" x 61" 13.5 sq ft 203 GPM
- 84440 S/O 34" x 84" 19.0 sq ft 285 GPM
- 84441 S/O 42" x 72" 19.7 sq ft 295 GPM
- 84442 S/O 42" x 84" 23.2 sq ft 348 GPM
- 84443 S/O 42" x 96" 26.7 sq ft 400 GPM



Stark Horizontal Sand Filters

- Heavy duty horizontal sand filters
- Corrosion-proof Stark fiberglass filters are built to have 3 – 5 times longer life
- Resin-rich fiberglass shells are built to withstand the harsh chemical elements
- Every tank is built to resist structural failures due to corrosion and scale build-up
- Custom design and engineering support service are available for large projects
- Many different configurations are possible such as single, multiple, side-by-side, end-to-end or stack
- Many sizes and five tank configurations available

- S/O 42" x 72" tank w/6" connections S2-72
- S/O 42"x 96" tank w/6" connections S2-96
- S/O 42" x 120" tank w/6" connections S2-120
- Call for more information.*

PIPING KITS



Triton Tandem Filter Kits

- Designed to connect two Triton filters
- Kits contain: 12 flanges; 4-butterfly valves; 4-pack of 3" bolts with gaskets; 4-SXSXS tees; 4-45 degree elbows; 4-valve stud pack; three, 2" saddle SKTs and one, 2" flange SKT
- Filter "adder" kits are also available to connect additional filters if more than two filters are necessary (call for more information)

- 84462 S/O 3" Pipes schd 40 2 C-filters
- 84464 S/O 4" Pipes schd 80 2 C-filters
- 84465 S/O 6" Pipes schd 80 2 C-filters
- 84466 S/O 3" Pipes schd 40 2 C3-filters
- S/O 4" Pipes schd 40 2 C3-filters
- S/O 4" Pipes schd 80 2 C3-filters
- S/O 6" Pipes schd 80 2 C3-filters
- For Additional Filters S/O Adder Kits

ENERGY EFFICIENT MOTORS



2-Speed Available

Threaded-Shaft Square-Flange

- Full-Rated hp & full-service factor
- 1-Year Warranty

- 38530 3/4 hp 38533 2 hp
- 38531 1 hp 38543 3 hp
- 38532 1.5 hp

Threaded-Shaft Round-Flange

- Full-Rated HP & full-service factor
- 1-Year Warranty

- 38560 1 hp 38569 2 hp
- 38566 1.5 hp 38570 3 hp



Pentair CVA24Y Valve Actuator

- 24 VAC, 3-Wire 25ft, and 120 Degree Rotation
- Prevents dead-heading of pumps
- Corrosion-proof enclosure
- Includes 25' cable
- Service switch (for flow direction)
- ETL recognized
- S/O Pentair CVA24Y Valve



PCD-1000 Submersible Pump

- Stainless Steel Submersible Pool Service Pump
- The PCD-1000 Submersible Pump is designed for swift pool draining and utility applications. Debris and stones up to 3/4 in. will pass through the pump and an ample 1-1/4 in. An optional external float switch is included for automatic operation.
- S/O PCD-1000 Pump

PENTAIR COMMERCIAL SAND FILTERS



Triton HD Side Mount Filters

- All the same great performance and features of the original Triton filter with maximum operating pressure of 75 psi for those special high pressure installations such as single pump in-floor cleaning systems

- 369311 Tank w/ft TR100HD BTR. Thread



Triton Sand Filters

- Available with 2" or 3" flange connections
- Maximum operating pressure 50 psi
- Large 8" top opening for easy access to sand bed
- No special adapters necessary with flange connections
- Perfect for installing a series of filters in tandem for large bodies of water
- Full 2" drain for easy cleaning & changing sand
- Valve not included

- 42351 TR100 4.91 sq ft 30"
- 42352 TR140 7.06 sq ft 36"

- MULTIPLE DIFFUSERS
- 84496 TR100C 4.91 sq ft 30"
- 84497 TR140C 7.06 sq ft 36"



Triton C-3 Sand Filters

- Available with 2" or 3" flange connections
- Maximum operating pressure 50 psi
- Large 8" top opening for easy access to sand bed
- No special adapters necessary with flange connections
- Perfect for installing a series of filters in tandem for large bodies of water
- Full 2" drain for easy cleaning & changing sand
- Valve not included

- 84498 TR100C 3" Flng 4.91 sq ft 30"
- 84499 TR140C 3" Flng 7.06 sq ft 36"

Compool LX820 Controller

- Emergency Shut off
- Filter Pump and Jet Pump #1 Shut-Off
- Extra large emergency switch
- Low voltage operation for increased safety.
- LED status indicators
- UL Listed
- 1-year limited warranty

- Optional Jet Pump #2 Shut-Off

1-YEAR WARRANTY

S/O Compool LX820



Free Delivery



Let us come to you! Commercial Account Executives available in most areas to support you!

PENTAIR FILTERS

Pentair Quad D.E. Filters

- Four large-capacity cartridges provide maximum filter surface area for greater dirt-trapping capacity and longer periods between cleanings
- Unique internal flow path ensures optimum filtration and backwashing efficiency
- Chemical resistant, fiberglass reinforced polypropylene tank for exceptional strength and long life

43507 CO Quad D.E. 60 Sq ft Filter
 43508 CO Quad D.E. 80 Sq ft Filter
 43509 CO Quad D.E. 100 Sq ft Filter



NSF

System 3 Modular Medium Filters

- Typical Installation – Inground pools, inground hot tubs, and water features
- Low Maintenance – Complete media coverage combined with shallow pleats means greater dirt holding capabilities, resulting in longer filter cycles and less cleaning
- Dual Drain Plugs – Side plug available for plumbing to waste, while the bottom plug will drain entire filter

S/O System 3 Modular Medium Filters



NSF

System 3 Modular D.E. Filters

- Typical Installations – Inground pools, inground hot tubs, and water features
- Quality Construction – Durable two-piece tank housing constructed of Dura-Glas™, Sta-Rite's industry leading glass-reinforced composite resin
- Modular Filter Tanks – Allows for quick change of filter medias without changing the tank

S/O System 3 Modular D.E. Filters



NSF

Pentair Clean & Clear Plus Filters

Clean & Clear® Plus Filters have a corrosion resistant injection molded filter tank featuring superior strength and reliability. The cartridge assembly uses four easy to clean, non-woven, polyester cartridges. Each filter is supplied with a bulkhead union set for easy installation

S/O Pentair Clean & Clear Plus Filters

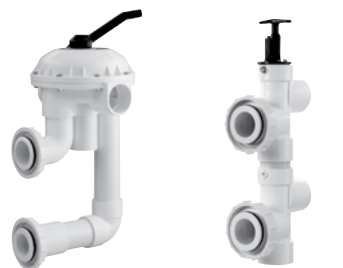


NSF



Installation available in most areas

PENTAIR FILTER VALVES



84500 44923

Backwash Valves for 1-1/2 & 2 In. D.E. and Sand Filters

Side mounted HiFlow™ and Multiport Valves are designed for maximum performance and working pressures. Available in 1-1/2 and 2 in. threaded or slip models.

- PVC body
- Special winterizing position
- The right valve for easy operation
- Six-position, positive-lock operation

HiFlow Valve Kit P/N 261050
 PVC Slide Valve Kit P/N 263064
 Multiport Valve Kit P/N 261055
 FullFloXF™ Backwash Valve Kit P/N 263080



84512 324808

Backwash Valve for Side Mounted Sand & D.E. Filters

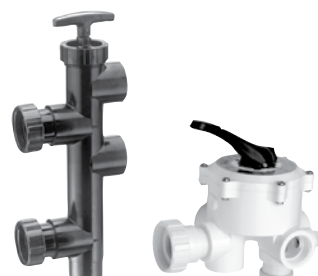
The side mounted HiFlow valve is designed for maximum performance and working pressures. Available in 2 in. slip models.

- PVC body
- Large, one-piece handle for trouble-free operation
- Six-position, positive-lock operation
- Noryl heavy-duty diverter

602278



602278



44073

Backwash Valves for D.E. and High-Rate 8 In. Centerline Sand Filters

Pre-plumbed Push Pull and Multiport Valves are complete with bulkhead unions for simple installations with filters. The 1-1/2 in. Side Mount Multiport Valves are rated at 100 GPM to accommodate most installations. The 2 in. Side-Mount MPV is rated at 125 GPM. Push Pull valves are 2 in. socket. All valves are 100% factory tested.

- 60 GPM (1-1/2 in. side mount)
- 125 GPM (2 in. side mount)
- Site glass included (MPVs)

602235 2 in Multiport for DE Filters
 44073 Push Pull Valve for Sand and DE



602235



Multiport Valve

505113

ABS Slide Valves/ Multiport Valves Side Mount

Two-position backwash valves have minimal flow restriction. Innovative handle design allows easier operation; pin locks valve in filter position. Connects directly to side ports in D.E. or sand filters with 2 in. PVC unions.

505113 Push Pull Valve
 S/O Multiport Valve Various Configurations

HAYWARD FILTERS



NSF



Installation available in most areas



NSF

Hayward Commercial Sand Filters

- Tool-free, twist-lock, threaded-free dome-tip lid with O-ring seal
- Commercial grade, 1.5 in., one-piece injection molded, 360 degree slotted laterals arranged in a grid array provide superior filtration performance
- Large 9 in. top opening for easy media loading and filter inspection
- Full 2 in. bottom drain including a 3/8 in. integral water drain with media screen
- Factory-built manifolds available for configuring banks up to 6 filters

84628 30" with 2" Connection 84632 36" with 2" Threaded Connection
 84629 34" with 2" Threaded Connection 84633 36" with 3" Threaded Connection
 84630 34" with 3" Threaded Connection S/O 36" with 3" Flange Connection
 S/O 34" with 3" Flange Connection

ProsSeries Plus Semi-Commercial Sand Filters

- Durable, flanged inspection cover provides convenient access to top of filter
- Unitized, corrosion-proof, spherical filter tank molded of rugged, colorfast polymeric material for maximum strength and longer life
- Optional valve and coupling selections for plumbing ease and versatility. Choose from 6-position VariFlo® valve or 1 1/2" socket x 2" slip connectors for multiple (tandem) filter installations

306356 31" 42088 36"



NSF

Largest capacity cartridge filter: 700 sq ft

Hayward Commercial Cartridge Filter

- Extra-long filter cycles, up to 35% longer than 500 sq ft models
- Heavy-duty dirt-holding capacity
- No backwashing: Save up to 92% on rinse vs. backwash, which can translate to thousands of gallons per season
- No multi-port valve: considerably less flow restriction improves overall system's energy efficiency
- Combination pressure and filter cleaning cycle indicator
- CPVC Union coupling connection provides 2" x 2 1/2" piping with 2" full flow internal piping

42053 700 sq ft



NSF

Hayward D.E. Filters

- Pro-Grid vertical grid D.E. filters provide superior water clarity, efficient flow and large capacity
- Self-aligning tank top and bottom make servicing the grid elements fast and simple
- Multi-port valve and D.E. sold separately

42052 36 sq ft
 42054 48 sq ft
 42056 60 sq ft
 42060 72 sq ft

FILTER REPAIR



Silicone Sealant
 68566 1.5 oz Tube For PVC, Plastic, Steel & Vinyl

Pool & Spa Lube
 68926 3.5 oz

Teflon Tape
 68740 Seals threads and prevents leaks

Free Delivery



Same-Day Delivery Available for in-stock items

Hayward SwimClear Cartridge Filters

- New, stronger PermaGlass XL tanks are durable enough to meet the demands of the toughest applications
- Easy to maintain Quad-Cluster cartridge elements in 325, 425 or 525 sq ft sizes
- Larger heavy-duty cartridge elements for extra long filter cycles
- Self-aligning tank top and bottom make servicing the elements fast and simple
- No valves or backwashing necessary

42048 325 sq ft
 42049 425 sq ft
 42051 525 sq ft



NSF

HAYWARD SAND FILTER VALVES



2" Multiport Valve Kit

Hayward's 2" Multiport Valve Kit is factory plumbed for use with Hayward HCF302T, HCF342T and HCF362T (up to 100 GPM) commercial sand filters, complete with 2" union connections. The six-position valve facilitates selection of filter, backwash, waste, rinse, closed or recirculate modes at the turn of a single lever. The integral sight glass allows the operator to visually monitor the backwash stream.

42064 2 in Multiport Valve Kit



3" Multiport Valve Kit

Rated for a maximum flow of 325 GPM, the Hayward 3" Multiport Valve is the perfect complement to the Hayward HCF343T and HCF363T commercial sand filters. For optimum flexibility in the commercial setting, the valve features 3" NPT ports for in-filled configuration and plumbing. The six-position valve facilitates selection of filter, backwash, waste, rinse, closed or recirculate modes at the turn of a single lever.

42065 Valve Only
42067 Valve Plumbing Kit



**Same Day
FREE Delivery**
on orders placed by
**10 am or Guaranteed
Next Day Delivery**

*Restrictions apply



Installation available in most areas

COMMERCIAL CARTRIDGE PARTS

KEY	PART#	SKU	DESCRIPTION
1	ECX2420Z8A	44511	PSI Gauge
2	DEX2420Z8A	66206	O-Ring Kit, Air Valve
3	CCX1000N	614661	Nut, Manual Air Valve
4	CCX1000V	44379	Air Release Valve
5	DEX2420MAR2	44877	Manual Air Release Assy.
6a	DEX2420BTC	44871	Tank Lid, C2000
6b	DEX3620BTC	44872	Tank Lid, C3000
6c	DEX4820BTC	613077	Tank Lid, C4000
6d	DEX6020BTC	44874	Tank Lid, C5000
6e	DEX7220BTC	44875	Tank Lid, C7000
7	DEX2421J2	44879	Nut & Bolt, Clamp (2009-)
8	DEX2421JKIT	44878	Tank Clamp Assy.
9a	DEX2422Z2	44880	Metal Reinforced Seal (2009-)
9b	DEX2400K	66269	O-Ring, Tank (Pre-2009)
10a	CX2020DA	613132	Top Closure Plate, C2000
10b	CX3020DA	613133	Top Closure Plate, C3000-4000
10c	CX5020DA	613134	Top Closure Plate, C5000
11a	CX800Z4	44891	Air Tube, C2000
11b	CX3000Z3	44894	Air Tube, C3000
11c	CX4000Z3	44895	Air Tube, C4000
11d	CX5000Z3	602613	Air Tube, C5000

KEY	PART#	SKU	DESCRIPTION
11e	CX7000Z3	625438	Air Tube, C7000
12a	CX480XRE	46132	Cartridge C2000
12b	CX580XRE	46124	Cartridge C3000
12c	CX880XRE	46134	Cartridge C4000
12d	CX1280XRE	46184	Cartridge C5000
12e	CX1380RE	46192	Cartridge C5520
12f	CX590RE	46225	Cartridge C7000
12g	CX7020M	631156	Cartridge Adapter, C7000
14	CX3020FB	613108	Outlet Elbow
15	DEX360M	66244	O-Ring, Elbow
16	CX3000C	44451	Bottom Manifold
17	DEX2420ATC	44876	Tank Bottom
18	SPI022C	44208	Drain Plug 1-1/2" w/O-Ring
19	DEX2420DCKIT	613121	Strap Kit
20	SX220Z2	66242	O-Ring, Bulkhead
21	DEX2420F	613052	Bulkhead Fitting
22	DE2400PAK2CS	44094	Plumbing Connector Kit

CARTRIDGE PACKS: 4 REPLACEMENT CARTRIDGE PACKS
 4-Repl. Carts. 46611 C2000-Series
 4-Repl. Carts. 46612 C3000-Series
 4-Repl. Carts. 46613 C4000-Series
 4-Repl. Carts. 46614 C5000-Series
 4-Repl. Carts. 46615 C5500-Series

FILTER REPLACEMENT CARTRIDGES & GRIDS



More Sizes to Choose From!

Pentair Cartridges

46056 CCP320 each
46058 CCP420 each
46060 CCP520 each

Hayward Cartridges

46124 CX580XRE
C3000 Filter each
46134 CX880XRE
C4000 Filter each
46184 CX1280XRE
C5520 Filter each

Harmsco Filters

46125 Red Top each

D.E. Grids For Anthony Filter

46415 19" Round each
46323 13.5" x 24" each
46326 17.5" x 24" each
D.E. Grids For Purex Filter
46347 36 sq ft each
46350 48 sq ft each
46355 60 sq ft each
46356 72 sq ft each

Universal Grids For D.E. Filters

46500 24 sq ft full each
46502 36 sq ft full each
46504 48 sq ft full each
46506 60 sq ft full each
46508 72 sq ft full each
46510 24 sq ft partial
46512 36 sq ft partial
46514 48 sq ft partial
46516 60 sq ft partial
46518 72 sq ft partial

CLEANERS & MEDIA



Spray & Rinse

• Simply spray it on and rinse it off
14390 16 oz



Cartridge Cleaner

• Specially formulated surfactant to remove oils from cartridge filter elements
• Ideal for pool and spa cartridges
14225 1 qt
14227 1/2 gal



Sand Filter Revitalizer

• Simply pour through skimmer during each backwash
• Degreases and "loosens" sand bed by removing caked on organics and inorganics
14400 1 qt
86164 Kit (12 x 1 qt)



LOW DUST FORMULA



Diatomaceous Earth

• Specifically formulated for pools
14314 25 lb Bag
14698 Scoop for D.E.
Additional freight may be required



Cellulose Fiber

• The SAFE alternative to Diatomaceous Earth (D.E.)
• Environmentally friendly; nontoxic; biodegradable; filters finer than D.E.!
14341 3 lb Bag



Natural Zeolite Sand

14344 25 lb Bag



Silica Filter Sand

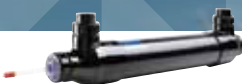
14699 50 lb Bag
14700 50 lb Bag (CA only)
81188 250 lb Kit (5 x 50 lb bags)
Additional freight may be required



KEEPING THE FAMILY HEALTHY AND HAPPY!

Pentair offers alternatives in Disinfection and Sanitizing systems that will create the clearest, cleanest, most refreshing pool water possible.

We focus on Healthy Options and you enjoy the benefits!



BIOSHIELD® UV DISINFECTION STERILIZER



BIOSHIELD® CVP VERTICAL UV DISINFECTION STERILIZER



BIOSHIELD® CIP VERTICAL UV DISINFECTION STERILIZER

©2016 Pentair Water Pool and Spa, Inc. All rights reserved.

PENTAIR VALVES



263068



263059



263056/263057



263060



263077

Diverter And Check Valves 1-1/2" And 2"

- 2-Way, 3-Way And Check
- All valves available in CPVC or PVC
- Maintenance-free PTFE coated diverter seal
- Optimum positive-seal
- High Flow Rate
- Fiberglass reinforced handle
- Withstands pressure up to 150 psi
- Used for diverting, shut-off or mixing applications
- Accepts 1-1/2", 2", and 2-1/2" PVC plumbing
- Field-adjustable stop positions
- Plumbed with inlet at any port

Fullfloxf® Diverter & Check Valves 2-1/2" & 3"

- Valves available in CPVC for maximum heat resistance
- Maintenance-free PTFE coated diverter seal
- Optimum positive-seal
- Maximum Flow Rate, low head loss
- Chemical-resistant
- Used for diverting, shut-off or mixing applications
- Accepts 2-1/2" and 3" PVC plumbing
- Field-adjustable stop positions
- Plumbed with inlet at any port
- Designed to work with most industry standard actuators

- | | |
|--------|--------|
| 263068 | 263060 |
| 263056 | 263077 |
| 263057 | 263059 |

VALVES



Compact Ball Valves QVC Series

- Pressure Rating 150 psi
- EPDM Seals
- Santoprene® Seats



True Union Compact Ball Valves QTA Series

- Pressure Rating 150 psi
- EPDM Seals
- Santoprene Seats



True Union PVC Ball Valves TB Series

- Pressure Rating 250 psi: 1/2" – 2"
- 235 psi: 2 1/2" – 4"
- 150 psi: 6"



True Union PVC Ball Valves TBB Series

- Pressure Rating 225 psi
- EPDM Seals
- PTFE Seats



Actuated Ball Valves EAU Series

- Pressure Rating 250 psi
- True Union Design
- EPDM or FPM Seals
- PTFE Seat



True Union Three-Way Ball Valves TW Series

- Pressure Rating 150 psi
- Position Indicator
- EPDM Seals



True Union PVC Ball Check Valves TC Series

- Pressure Rating 150 psi: 2 1/2" – 6"
- 235 psi: 1/2" – 2"
- EPDM Seals



Butterfly Valves BYV Series

- Lever operated
- Pressure Rating 150 psi
- PVC Body and Disc
- EPDM Liner



Butterfly Valves BYV Series

- Gear operated
- Pressure Rating 150 psi
- PVC Body and Disc
- EPDM Liner



Butterfly Valves Pure-Blu™ BYCN Series

- Lever Operated
- Pressure Rating 150 psi
- EPDM Seals
- Santoprene® Seats



Full Pattern PVC Water Check Valves WCV Series

- Pressure Rating 150 psi
- One-Piece Disk and Shaft Design
- FPM or EPDM Gasket and Face Seal



Jandy Check Valves

- 62488 2" Ball Valve
- 62486 1-1/2" Ball Valve
- 607909 Swing Check Valve



Pentair ETi 400 High Efficiency ASME Gas Heater

- 96% Thermal Efficiency
- TitanTough™ heat exchanger - ASME certified
- Ultra-high thermal efficiency, for fast heat-up times at lower energy costs
- Category IV direct vent with up to 120 ft length PVC vent capabilities
- Control panel can be rotated 180° to accommodate left or right water plumbing configurations
- Front and rear gas plumbing connection
- Suitable for high altitude installations
- Ultra quiet operation
- Indoor and outdoor rated

46229 ETI 400 ASME GAS HEATER
46230 Indoor Direct Air Intake Kit
46231 Condensate Neutralizer Kit



Pentair Mastertemp ASME Heater

- Ultra-high performance
- Eco-friendly design
- Best-in-class energy efficiency
- Certified for low NOx emissions
- Fast heat-up
- Compact design
- Super quiet operation
- Easy to use

85393 MSTM 250k BTU ASME N
85394 MSTM 250k BTU ASME P
85395 MSTM 400k BTU ASME N
85396 MSTM 400k BTU ASME P



Pentair Sta-Rite Max-E-Therm Heater For Pools And Spas

- Max-E-Therm heater offers you the latest advances from Sta-Rite®: a rustproof exterior, smart electronics and increased energy efficiency.
- High efficiency rating makes the Max-E-Therm heater extremely economical to operate.
 - Specially designed fueling and ignition process permits faster warming of your pool and spa.
 - Easy-to-read, conveniently positioned control panel is simple to program.
 - Dura-Glas® Housing will not corrode and stands tough against harsh weather.

S/O Sta-Rite Max-E-Therm



Pentair PowerMax Commercial Heater

- PowerMax® heater provides peak efficiency and easy maintenance in both indoor and outdoor applications.
- High Performance Electronic Ignition Heaters
 - Seven sizes delivering up to 85% efficiency ratings and meets all Low NOx requirements
 - Reliable operation in natural or propane models
 - Fan-assisted and filtered combustion air

85397 PM0500NACC2BXN 500k BTU
S/O PM0750NACC2BXN 750k BTU
S/O PM01000NACC2BXN 1000k BTU
S/O PM01250NACC2BXN 1250k BTU
S/O PM01500NACC2BXN 1500k BTU
S/O PM01750NACC2BXN 1750k BTU
S/O PM2000NACC2BXN 2000k BTU

Call! for details on indoor Stack Vent options



Raypak Professional Gas 268 & 408 Series ASME Heater

- Brass headers and Cupro-Nickel Tubes**
- Microprocessor-based control
 - Set pool and spa temperature precisely by pressing an up or down temperature control button
 - On-board diagnostic controls
 - Compatible with most major pool control and remote systems

57040 266k BTU
57050 399k BTU



Raypak X94 ASME High Efficiency Pool and Spa Heater

- Designed specifically for commercial properties such as apartments, condos, hotels, motels, schools, parks, community and high-end private pools
- The heat engine on the X94 is made from AL-6XN® Alloy stainless steel.
 - INSTALLATION FLEXIBILITY
- S/O 399 BTU NG



Raypak Hi Delta 302-2342 ASME

In/Outdoor Stack Sold Separately.

- Ultra Low NOx (less than 20 ppm)
- Direct venting with TRUSEAL meets new ASHRAE exhaust requirements
- Cupro-Nickel and bronze waterways resist corrosion
- Self-diagnostic center for easy maintenance
- 84% efficient without using a condensing vent
- Unitherm governor provides condensation-free operation

S/O P302 300k BTU Nat. gas
S/O P402 399k BTU Nat. gas
S/O P502 500k BTU Nat. gas
S/O P752 750k BTU Nat. gas
S/O P992 990k BTU Nat. gas
S/O P1262 1,260k BTU Nat. gas
S/O P1532 1,530k BTU Nat. gas
S/O P1802 1,800k BTU Nat. gas
S/O P2072 2,070k BTU Nat. gas



P-724 Indoor



P-724 Outdoor



Y-1287 Outdoor



P-1336 Indoor

Raypak Raytherm Series

- Clubs. Universities. Municipalities. Watersport Centers. Large residential pools. 23 model sizes — 511,500 to 4,000,000 BTUH inputs. Indoor and outdoor styles. 80-82% thermal efficiency. Natural or propane gas. Fuel-saving electronic ignition. Precision water temperature control to ffl 1°F. Low operating cost. Low maintenance cost. Easy service
- Electronic Pilot Ignition...Saves fuel, no standing pilot
 - 100% Copper And Bronze Waterways...Bronze headers and cupro nickel finned tubes prevent corrosion and rust which can stain the pool and destroy the heater
 - 1" Diameter Finned Cupro Nickel Tubes...Better water flow, lower pressure drop through heater
- S/O P-724 Indoor S/O P-1336 Indoor
S/O P-724 Outdoor S/O P-2500 Indoor
S/O Y-1287 Outdoor

- Tough, Durable Polytuf Powdercoat Finish...Long-lasting allweather protection in durable Forest Green color
- Unitherm Governor...For Models P-514 thru P-1223, a patented
- 3-way valve built in the header, automatically maintains the water in the heater at the precise temperature that prevents condensation and scale
- By-Pass Pump...For models P-1287 thru P-4001, a properly designed bypass pump is used to control the temperature of the water entering the heater to avoid condensation and scaling
- Interlocking Combustion Chamber...Cuts heat loss for best efficiency
- Keeps jacket cool.
- Dual Gas Valves...For safety.



P-2500 Indoor



Installation available in most areas



Raypak XTherm Gas Heater

The Raypak XTherm will precisely heat your pool. Utilizing the latest technology for the combustion-components, the optimum fuel-air ratio is maintained throughout the entire range of the load-tracking operation. The XTherm automatically self-tunes to accommodate the widest range of gas supply pressures. The high quality integrated blower-gas valve is self-correcting and allows smooth operation with fluctuating gas supply pressures. The Raypak XTherm is cutting edge technology with atmospheric simplicity.

- PVC vent capable - optional at time of order
- 3 models from 1,000,000 to 2,000,000 BTUH
- 97% thermal efficiency at full fire in pool applications
- Minimum continuous inlet water temperature (50°F)
- Small footprint, less than 11 square feet
- AB 1953 low lead certified
- On-board diagnostic center, real English, no codes
- All models indoor/outdoor construction
- Complete cabinet protects all controls and wiring
- Low NOx - Less than 20ppm
- Suitable for altitudes up to 10,000 ft. (derate above 5,000 ft.)

S/O WHP1005 999k BTU Nat. gas S/O
S/O WHP1505 1,500k BTU Nat. gas S/O
S/O WHP2005 1,999k BTU Nat. gas S/O



Think Green





Hayward Commercial ASME Heaters

- The new 500,000 BTU models boast the fastest speed-to-heat capability in their class and are designed for ultimate performance, durability and energy efficiency
 - Low Lead Bronze Header and Cupro Nickel Finn Plate™ heat exchanger are standard
 - Independent left or right side electric, water and gas connections
 - Only front panel access required for installation and service
 - Easy gas valve adjustment
 - Easy dual voltage conversion with fuse protected circuit boards
 - Compact low profile 24" cabinet
 - 2" to 2.5" CPVC plumbing fittings
- 50027 CO 250k BTU ASME NG 50046 CO 400k BTU ASME P
 50038 CO 400k BTU ASME NG SKU CO 500k BTU ASME NG
 50039 CO 250k BTU ASME P SKU CO 500k BTU ASME P



Jandy LXI ASME Heaters

- **Low NOx fan assisted combustion**
 - Backlit Control Panel, built in one touch automation makes pool to spa switching simple
 - Freeze protection
 - High efficiency C-fin heat exchanger
 - Easiest heater in industry to install, 33% lighter and 15% smaller footprint
- | | |
|-------------------------|---------------------------|
| 50321 LXI250NC ASME CU | S/O LXI300PS ASME CU-NI |
| S/O LXI250NS ASME CU-NI | 50333 LXI400NC ASME CU |
| S/O LXI250PC ASME CU | 50317 LXI400NS ASME CU-N |
| S/O LXI250PS ASME CU-NI | S/O LXI400PC ASME CU |
| S/O LXI300PC ASME CU | 50320 LXI400PS ASME CU-NI |



Jandy Hi-E2

- **Lowest NOx emissions**
 - 95% efficiency rating
 - Capable of reducing heating costs up to 30%
 - Sealed combustion chamber reduces condensation
 - Automatic power venting removes emissions
 - Bronze headers for longer life
 - Dual electronic thermostats are easy to use
 - Lighter and easy to install
- 50311 350k BTU



Service and Installation Available!



Aqua Cal Great Big Bopper

- Highest Output Heat Pump Made, 500,000 BTU's @ 6.3 C.O.P. efficiency
 - Heat and Cool Operation
 - Super Quiet Operation 72 db @ 10 ft
 - Compact Footprint 4' x 7' x 7'
 - Single Electrical Hook Up (60hz @ 208-230V or 460V)
 - Adaptable Inlet/Outlet Plumbing Configuration
- S/O GBB 500 BTU 208/230V
 S/O GBB 500 BTU 460V



Aqua Cal Heatwave Heat Pumps

- Microprocessor controlled with Digital Display
 - ThermoLink Titanium Heat Exchanger
 - Scroll Compressor
 - Corrosion Proof Cabinet
 - AquaTop
 - Dual Row Coated Evaporator Coil on HI55
- S/O 135k BTU 1 PH 208/232V
 S/O 133k BTU 3 PH 208/232V
 S/O 133k BTU 3 PH 400V
 S/O 125k BTU 1 PH 208/232V
 S/O 125k BTU 3 PH 208/232V
 S/O 110k BTU 1 PH 208/232V
 S/O 120k BTU 1 PH 208/232V



Aqua Cal Super Quiet IceBreakers (Heat and Cool)

- Super Quiet Features
 - Microprocessor controlled Digital Display
 - IceBreaker Technology
 - Virtually Quiet Operation
 - Titanium Heat Exchanger
 - Scroll Compressor
 - Corrosion Proof Cabinet
- 85104 127 BTU 1 PH 208/230V
 S/O 108 BTU 1 PH 208/230V

HEAT PUMPS



Hayward Heat Master Heat Pumps

- Titanium heat exchanger for heating efficiency and reliability
 - Easy to read LED control panel for digital temperature control and monitoring of heat pump performance
 - Compact footprint for easy installation on new or existing pools and spas
- S/O 65k BTU
 S/O 80k BTU
 85037 110k BTU
 85038 125k BTU



SUN1400Q – SunRunner 137K BTU Quiet Series Pool Heat Pumps

- 137,000 BTU, Heat Large Bodies of Water Fast
 - Quiet Series, Unbelievable Noise Reduction
 - Quiet Scroll Compressor Technology for Quiet Performance & Years of Service
 - Exclusive 100% Commercial Grade Oversized Titanium Heat Exchanger
 - Digital Controls w. Lock Out Feature for Easy Set up & Usage
 - AHRI Approved for Performance
- 85086 Sun1400Q 137k BTU 1 PH 208/230V



UltraTemp Heat Pumps

- 100% pure titanium heat exchanger assures corrosion-free performance for extra long life
 - LCD control board displays an intuitive menu-driven read out with easy to follow full word messages...no more codes
 - AutoSet (time clock over-ride) feature monitors water temperature and turns the water circulation pump on and off as needed to maintain desired pool temperatures
 - Automatic defrost feature senses refrigerant temperature and prevents freezing, allowing the heat pump to operate at even lower temperatures
- 85252 127k BTU



Emergency Service Available
 Most Locations
Call 1-800-LESLIES

Leslie's Automatic Cleaner Demo Program

"Interested in how much an automatic pool cleaner can save you?" Let a Leslie's professional come to you for **FREE** and demo one of our Dolphin Wave cleaners in your pool to show you how easy it is to get started saving today. (Available in select markets)

Call your local Leslie's or Account Rep

Call!
your local Leslie's
or Account Rep



AUTOMATED SUBMERSIBLE POOL CLEANERS SAVINGS ANALYSIS FORM

(Use this form to determine your savings over a 3-year period while using an automated pool cleaner.)

PAYROLL: USING AN AUTOMATED POOL CLEANER WILL SAVE YOU 90% IN LABOR COSTS!

- 1. Hourly pay rate for pool cleaning personnel (\$ per Hour) \$ _____
- 2. Total Hours spent cleaning the pool per week (Hours per Week) Hours _____
- 3. Number of weeks of operation per year (Weeks per Year) Weeks _____
- 4. Total hours spent cleaning per pool year (Multiply line 2 by line 3) Hours _____
- 5. Total annual payroll for manual cleaning (Multiply line 4 by line 1) \$ _____

- 6. **USING AN AUTOMATED POOL CLEANER WILL SAVE YOU 90%**
(ANNUAL PAYROLL SAVINGS) (Multiply line 5 by .90) \$ _____
- 7. **TOTAL PAYROLL SAVINGS OVER 3 YEARS** (Multiply line 6 by 3) \$ _____

WATER AND EQUIPMENT: USING AN AUTOMATED POOL CLEANER WILL LIMIT THE AMOUNT OF DEBRIS ENTERING THE FILTRATION SYSTEM, THEREBY LOWERING OPERATIONAL COSTS BY A MINIMUM OF 5%

- 8. Your total annual water cost for the pool \$ _____
- 9. Your total annual chemical expense for the pool \$ _____
- 10. Your total annual expense for equipment repairs and maintenance \$ _____
- 11. Your total annual expense for water, chemicals and equipment maintenance (Add lines 8, 9 & 10) \$ _____

- 12. **USING AN AUTOMATED POOL CLEANER WILL SAVE YOU 5%**
(ANNUAL SAVINGS) (Multiply line 11 by .05) \$ _____
- 13. **TOTAL SAVINGS OVER 3 YEARS** (Multiply line 12 x 3) \$ _____

THREE-YEAR SAVINGS PROJECTION (Add lines 7 and 13) \$ _____

Subtract the cost of your automated pool cleaner x 1.20 (+20% for repairs) **COST OF CLEANER** \$ _____

TOTAL SAVINGS OVER A THREE-YEAR PERIOD AFTER PAYING FOR THE AUTOMATED CLEANER \$ _____

Calculations and formulas based on Leslie's Commercial Division historical data.



For the Closest Location Visit LesliesPool.com/stores or Call 1.800.LESLIES (537.5437) option 4

ROBOTIC CLEANERS

Includes
Caddy's



Dolphin C3

The Dolphin C3 is a hard working commercial-grade cleaner designed to deliver performance and reliability at an affordable price. It actively scrubs all pool surfaces while filtering the water and its robotic scanning ability ensures the entire pool is clean.
84357 Includes caddy



Dolphin C4

Perfect for small to mid-size commercial pools, the C4 is a robust commercial cleaner that includes valuable features while maintaining an affordable price point. It actively scrubs the entire pool including the floor, cove, walls, and waterline while filtering the water.
84359 Includes caddy



Dolphin C5

The Dolphin C5 is a professional, non-compromising solution to meet the demands of commercial pool cleaning. Its dual drive motors and split brush technology provide incredible maneuverability and coverage while its digital remote gives the user pinpoint navigation and control.
84215 Includes caddy



Dolphin C6 PLUS

The C6 Plus is a heavy-duty robust performer that does it all. It boasts double filtration and scrubbing power with adjustable pool parameters and choice of cycles. The C6 Plus filters an incredible 8,466 gallons per hour while it scrubs the pool surfaces clean. It features a wireless remote for touch guided navigation, a delayed start option and full bag indicator warning.
84216 Includes caddy

	C3	C4	C5	C6 PLUS
	Small to mid-size commercial pools		Large commercial pools	
Model	99991023-C3	99991083-C4	9999396X-C5	9999356-C6P
Cycle Time	1 / 2.5 hours	1.5 / 2.5 / 3.5 hours	4 / 6 / 8 hours	4 / 6 / 8 hours
Cable Length	60 feet	78 feet	98 feet	131 feet
Filtration Type	Fine and ultra-fine cartridges collect both fine particles and large debris	Fine and ultra-fine cartridges collect both fine particles and large debris	Includes fine and ultra fine porosity filter bags	Includes fine and ultra fine porosity filter bags
Delayed Start Feature		✓	✓	✓
Full Filter Indicator	✓	✓	✓	✓
Remote Control	✓ Basic	✓ Pro	✓ Pro	✓ Pro
Caddy	✓	✓	✓	✓
Warranty	2 yrs bumper-to-bumper	2 yrs bumper-to-bumper	2 yrs bumper-to-bumper	2 yrs bumper-to-bumper
Suction Rate	4,233 gal/hour	4,233 gal/hour	4,233 gal/hour	8,466 gal/hour



Dolphin HD

- Dolphin HD features advanced self-programming scanning software, enabling the robot to automatically calculate the most effective pool cleaning patterns according to your pool's dimensions
- Cleans walls, floor and tiles and has a large filter surface, leaving your pool crystal clear
- Power transformer is ETL approved for outdoor use
- Recommended for pools up to 60' in length
84200 Includes caddy



Dolphin 2 x 2

- Provides the most economical and efficient solution to maintaining cleanliness and clarity in commercial pools
- Manual or automatic operating modes
- Power transformer is ETL approved for outdoor use
- Recommended for pools up to 200' in length
84203 Includes caddy

Parts & Accessories

- 63620 S/O Dolphin PVC Brush DL 32
- 63650 S/O PVC Brush (Blue)
- 63651 S/O PVC Brush (Magenta)
- 63652 S/O PVC Brush (Yellow)
- 63672 S/O Dolphin Replacement Clean Up Bag
- 63674 S/O Dolphin Replacement Bag

Order online at LesliesPool.com or by phone at 1.800.LESLIES (537.5437) option 3



THE HARD WORKER Featuring a wide range of customizable features, Duramax is a line of heavy duty robots built to perform the daily task of commercial pool cleaning. From the small hotel motel pools up to Olympic pools, there is a Duramax ready to work hard to keep the water sparkling clean.



DuraMAX Junior T-RC

Propulsion Type	Drive Motor
Pool Types	Up to 60 ft length
Coverage	6500 sq ft / hour
Cable Length	100 ft
Climbing	Yes
Remote Control	Yes (3 directional)
Drive Motors	1
Motor Voltage	30v
Motor Type	High efficiency / Brushless
Pumps	1 (with power Jets)
Pump Voltage	30v
Pump Type	High efficiency / Brushless
Pumping Capacity	4800 gal per hr
Filter Size	1
0 Entry Sensor	Bag / Bottom access
IR Sensor	Optional
Steel Reinforcement	-
Power Supply	Heavy duty
Cleaning Programs	1-7 Hours / C-Run
1hr. Delay Feature	N/A
Timer	Yes
Voltage Input	120v - 60hz
Voltage Output	36v
Wattage	230w
Caddy	Ultra Kart Jr.
Warranty	2 years (1st year B to B) S/O DuraMAX Junior T-RC



DuraMAX RC

Propulsion Type	Drive Motor
Pool Types	Up to 75 ft length
Coverage	8790 sq ft / hour
Cable Length	120 ft
Climbing	Yes
Remote Control	Yes (4 directional)
Drive Motors	2
Motor Voltage	30v
Motor Type	High efficiency / Brushless
Pumps	1
Pump Voltage	30v
Pump Type	High efficiency / Brushless
Pumping Capacity	4800 gal per hr
Filter Size	Large
0 Entry Sensor	Standard
IR Sensor	Optional
Steel Reinforcement	Yes
Power Supply	Heavy duty
Cleaning Programs	1-7 Hours / C-Run
1hr. Delay Feature	Yes
Timer	Yes
Voltage Input	120v - 60hz
Voltage Output	36v
Wattage	320w
Caddy	Ultra Kart Jr.
Warranty	2years (1st year B to B) S/O DuraMAX RC



CLEAN AT THE TOUCH OF A BUTTON The Aquamax line of commercial pool cleaners is the result of 30 years of research and development. The perfect combination of performance and innovation, the Aquamax line features highly customizable programs, smart cleaning algorithms and sensors to make cleaning as easy as the touch of a button.



AquaMAX X3

Propulsion Type	Drive Motor
Pool Types	Up to 75 ft length
Coverage	8790 sq ft / hour
Cable Length	100 ft
Cleaning Pattern	AquaSmart w/Gyro
Climbing	Yes
Remote Control	Yes
Drive Motors	2
Motor Voltage	24v
Motor Type	High efficiency / Brushless
Pumps	1
Pump Voltage	24v
Pump Type	High efficiency / Brushless
Pumping Capacity	4330 gal per hr
Filter Size	Large
0 Entry Sensor	Standard
IR Sensor	-
Steel Reinforcement	-
Power Supply	Digital Display
Cleaning Cycle Times	3.0h / 4.5h / 5.0h
Timer	Yes / external capability
Voltage Input	120v - 60hz
Voltage Output	24v
Wattage	240w
Caddy	Ultra Kart Jr.
S/O	AquaMAX X3



AquaMAX X1

Propulsion Type	Drive Motor
Pool Types	Up to 40 ft length
Coverage	6500 sq ft / hour
Cable Length	75 ft
Cleaning Pattern	AquaSmart w/Gyro
Climbing	Yes
Remote Control	Yes
Drive Motors	1
Motor Voltage	24V
Motor Type	High efficiency / Brushless
Pumps	1
Pump Voltage	24v
Pump Type	High efficiency / Brushless
Pumping Capacity	4330 gal per hr
Filter Size	Standard
0 Entry Sensor	Standard
IR Sensor	-
Steel Reinforcement	-
Power Supply	Switching / SPS 500
Cleaning Cycle Times	1.0h / 1.5h / 2.0h
Timer	Yes / external capability
Voltage Input	120v - 60hz
Voltage Output	24v
Wattage	230w
Caddy	Aqua Caddy
S/O	AquaMAX X1



AquaMAX X2

Propulsion Type	Drive Motor
Pool Types	Up to 40 ft length
Coverage	6500 sq ft / hour
Cable Length	75 ft
Cleaning Pattern	AquaSmart w/Gyro
Climbing	Yes
Remote Control	Yes
Drive Motors	2
Motor Voltage	24v
Motor Type	High efficiency / Brushless
Pumps	1
Pump Voltage	24v
Pump Type	High efficiency / Brushless
Pumping Capacity	4330 gal per hr
Filter Size	Standard
0 Entry Sensor	Standard
IR Sensor	-
Steel Reinforcement	-
Power Supply	Digital Display
Cleaning Cycle Times	1.5h / 2.0h / 2.5h
Timer	Yes / external capability
Voltage Input	120v - 60hz
Voltage Output	24v
Wattage	230w
Caddy	Ultra Kart Jr.
S/O	AquaMAX XL

DuraMAX Bi Turbo T-RC

Propulsion Type	Drive Motor
Pool Types	Up to 75 ft length
Coverage	8790 sq ft / hour
Cable Length	120 ft
Climbing	Yes
Remote Control	Yes (3 directional)
Drive Motors	1
Motor Voltage	30v
Motor Type	High efficiency / Brushless
Pumps	2
Pump Voltage	30v
Pump Type	High efficiency / Brushless
Pumping Capacity	9600 gal per hr
Filter Size	Large
0 Entry Sensor	Standard
IR Sensor	Optional
Steel Reinforcement	Yes
Power Supply	Heavy duty
Cleaning Programs	1-7 Hours / C-Run
1hr. Delay Feature	N/A
Timer	Yes
Voltage Input	120v - 60hz
Voltage Output	36v
Wattage	320w
Caddy	Ultra Kart Jr.
Warranty	2 years (1st year B to B) S/O DuraMAX Bi Turbo T-RC



DuraMAX Duo Jr

Propulsion Type	Drive Motor
Pool Types	Up to 150 ft length
Coverage	9750 sq ft / hour
Cable Length	120 ft (150 ft Optional)
Climbing	Yes
Remote Control	Yes (4 directional)
Drive Motors	2
Motor Voltage	30v
Motor Type	High efficiency / Brushless 2
Pumps	30v
Pump Voltage	High efficiency / Brushless
Pump Type	9600 gal per hr
Pumping Capacity	PVC / PVA (optional)
Filter Size	Large
0 Entry Sensor	Standard
IR Sensor	Optional
Steel Reinforcement	Yes
Power Supply	Heavy duty
Cleaning Programs	1-7 Hours / C-Run
1hr. Delay Feature	Yes
Timer	Yes
Voltage Input	120v - 60hz
Voltage Output	36v
Wattage	360w
Caddy	Ultra Kart Jr.
Warranty	2 years (1st year B to B) S/O DuraMAX Duo Jr



DuraMAX Duo

Propulsion Type	Drive Motor
Pool Types	Up to 150 ft length
Coverage	13,100 sq ft / hour
Cable Length	120 ft (150 ft Optional)
Climbing	Yes
Remote Control	Yes (4 directional)
Drive Motors	2
Motor Voltage	30v
Motor Type	High efficiency / Brushless
Pumps	2 (with Power Jets)
Pump Voltage	30v
Pump Type	High efficiency / Brushless
Pumping Capacity	9600 gal per hr
Filter Size	PVC / 2
0 Entry Sensor	Standard
IR Sensor	Optional
Steel Reinforcement	Yes
Power Supply	Heavy duty
Cleaning Programs	1-7 Hours / C-Run
1hr. Delay Feature	Yes
Timer	Yes
Voltage Input	120v - 60hz
Voltage Output	36v
Wattage	360w
Caddy	Ultra Kart
Warranty	2 years (1st year B to B) S/O DuraMAX Duo



AquaMAX X4

Propulsion Type	Drive Motor
Pool Types	Up to 150 ft length
Coverage	9750 sq ft / hour
Cable Length	150 ft
Cleaning Pattern	AquaSmart w/Gyro
Climbing	Yes
Remote Control	Yes
Drive Motors	2
Motor Voltage	24v
Motor Type	High efficiency / Brushless
Pumps	2
Pump Voltage	24v
Pump Type	High efficiency / Brushless
Pumping Capacity	9690 gal per hr
Filter Size	2x standard
0 Entry Sensor	Standard
IR Sensor	Standard
Steel Reinforcement	Yes
Power Supply	Digital Display
Cleaning Cycle Times	3.0h / 5.0h / 7.0h / 9.0h
Timer	Yes / external capability
Voltage Input	120v - 60hz
Voltage Output	24v
Wattage	360w
Caddy	Ultra Kart
S/O	AquaMAX X4



AquaMAX XL

Propulsion Type	Drive Motor
Pool Types	Up to 165 ft length
Coverage	9750 sq ft / hour
Cable Length	150 ft
Cleaning Pattern	AquaSmart w/Gyro
Climbing	Yes
Remote Control	Yes
Drive Motors	2
Motor Voltage	24v
Motor Type	High efficiency / Brushless
Pumps	2
Pump Voltage	24v
Pump Type	High efficiency / Brushless
Pumping Capacity	9690 gal per hr
Filter Size	2x standard
0 Entry Sensor	Standard
IR Sensor	Standard
Steel Reinforcement	Yes
Power Supply	Digital Display
Cleaning Cycle Times	3.0h / 5.0h / 7.0h / 9.0h
Timer	Yes / external capability
Voltage Input	120v - 60hz
Voltage Output	24v
Wattage	360w
Caddy	Ultra Kart
S/O	AquaMAX XL

PORTABLE VACUUM & SERVICE CARTS



Porta Vac

- 14 amp motor, suitable for any nema standard receptacle
- 150 sq ft cartridge filter. (unicel replacement)
- 40' GFCI protected cord.
- 83137 Porta Vac Electric
- 902944 Porta Vac Gas Powered
- 41115 150 Sq ft Replacement Cartridge



Super Vac III

- Auxiliary pump system
- Aluminum and stainless steel cart.
- 14 amp motor, suitable for any nema standard receptacle
- 40' GFCI protected cord.
- 83138 Super Vac III Electric
- 41117 Super Vac III Gas Powered



Service Cart

- Holds full case of chlorine and 3 quart containers in rack.
- Holds 50' of suction hose, brush attachments and tile brush
- 83139 Stainless Steel Service Cart
- 83143 Powder Coated Steel Service Cart
- 83134 Hitch



SS Porta Vac

- Stainless steel cart and TEFC motor
- 150 sq ft stainless steel filter
- 100 gallon per minute pump
- 35' GFCI protected cord
- 41118 SS Porta Vac
- 41115 150 Sq ft Replacement Cartridge



Mini Vac

- 50 gallon per minute pump
- 75 Sq ft cartridge filter
- 9' cord
- 83147 Mini Vac
- 41113 75 Sq Ft Replacement Cartridge



Super Vac II

- Hand carry 1.5 HP pump
- 9' 115V cord
- Includes hose adapter fittings
- 83142 Super Vac II



Mini Vac II

- 85 gallons per minute pump
- 100 sq ft cartridge filter
- 40' GFCI protected cord
- 83148 Mini Vac II
- 41114 100 Sq ft Replacement Cartridge



Portable Vacuum System

- Sturdy and dependable units include a Sta-Rite pump, stainless steel cart, GFCI shock preventer and 50' of electric cord
- 83132 S/O 1 hp 105 sq ft filter
- 83133 S/O 2 hp 155 sq ft filter
- 609309 105 sq ft Replacement Cartridge
- 609419 155 sq ft Replacement Cartridge

HAMMER-HEAD SERVICE CART



Hammer-Head Service Cart

- Lightweight powder coated aluminum frame
- Large marine battery box (battery not included)
- Frame mounted soap bottle
- Weatherproof marine switch
- 220824 Service-21
- 220825 Service-30

POND & WATER GARDEN

Pond Bio Bead Filter

- Works with low-amp pumps
- Easy to clean backwash feature
- For ponds & water gardens up 4,000 gallons (Many Sizes Available)
- Filter comes assembled with bio bead media
- Bio bead media is designed for use with koi and fresh water ponds
- Pressure gauge to indicate when to backwash
- Affordable modular system yields greater flow with lower head loss
- 83146 EBF4000



Pond Pump

- Stainless Steel Hardware
- Low Energy Consumption
- 115V operation
- Quick Connect 2" Unions (2 included)
- Glass Filled ABS Pump Housing
- 83144 Evolution ESS 6400 GPH
- Many Sizes Available



Water Garden Pump

- Totally Enclosed Fan Cooled Motor
- Whisper Quiet Operation
- Super Low Energy Consumption
- 143-363 Watts @ 115V
- Quick Connect 2" Unions (2 included)
- 83145 Evolution 5500 GPH
- Many Sizes Available

BRUSHES



20509 18" SweepEase Pro Brush



20192 22" Pro Brush



20193 22" Pro Pebble Brush



82632 Premium Flex Brush



20155 18" Combo/Wire



82504 18" Standard Wire
20157 5" Standard Wire



20137 18" Standard



20174 5" Wall Brush
20131 Corner Brush

LEAF SKIMMERS



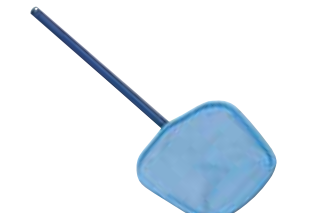
- "Soft" tip specially designed for delicate pool surfaces
- 20476 Vinyl Stingray Leaf Rake
- 20477 Fine Mesh



82628 Pro Quick Release
16" Leaf Skimmer



20465 Fine Mesh Leaf Skimmer



20735 Leaf Skimmer 4' Handle

LEAF RAKES



82619 Premium Leaf Rake



82627 Pro Quick Release
18" Leaf Rake
82629 18" Fine Leaf Rake
Not Shown



20462 18" Piranha Leaf Rake
20463 24" Piranha Leaf Rake
20473 18" Replacement Net
20474 24" Replacement Net
20475 Replacement Net Cuff



20450 Standard Fine Leaf Rake

TELEPOLES

Pro Telepole



20870 8-16' 2-piece



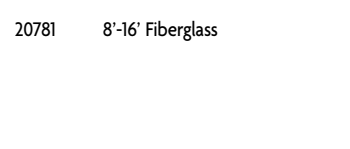
48775 4-8' Standard Grip



20781 8-16' Fiberglass



20795 16' 2-piece



82683 12-24' 2-piece pole

3-Piece Telepoles

- 20798 5 1/2-16' 3-piece
- 83193 12-36' (3-piece pole)
Not Shown



Pole Hangers

- Secure these handy hangers to your fence or wall, and stop tripping over that pole
- 83105 Set of two aluminum
- 16222 Set of two plastic
Not Shown



VACUUM HOSES



2" Commercial Hoses

- 2" Recommended for lengths longer than 50'
- 22482 2" x 50'
- 22486 2" x 75'
- 22488 2" x 100'



1 1/2" Standard Hoses

- 22472 1-1/2" x 25'
- 22474 1-1/2" x 35'
- 22476 1-1/2" x 45'
- 22478 1-1/2" x 50'



I-Helix Vac Hoses

- Finest professional grade spiral-wound vacuum hose in the industry
- 22480 1 1/2" x 50'
- 22482 2" x 50'
- 22484 1 1/2" x 75'
- 22486 2" x 75'
- 22487 1 1/2" x 100'
- 22488 2" x 100'



Vac Hose Sections

- Our vacuum hose reel makes pool vacuuming much easier, while keeping the vacuum hose neatly and safely stored
- 58800 4' Hose Sections

Hose Mender

- 22400 1-1/2" THD.
- 611957 2" THD.

Hose Cuffs

- 22546 1.5" Fixed Standard
- 22541 2" Fixed Standard
- 22549 1 1/2" Swivel

1.800.LESLIES
Call to place your order

VACUUM HEADS

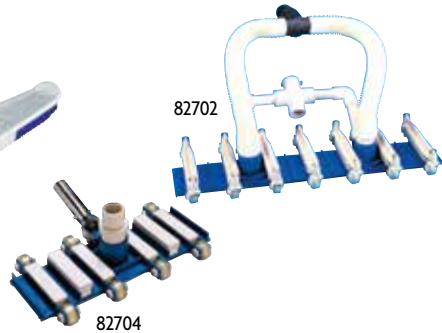


Vacuum Heads

- Save time and brush while you vacuum your pool
- 20883 Trivac Deluxe
- 20134 20" Vacuum brush
- 20881 Good for vinyl



- Cleans a pool bottom in less time with low-flow suction vacuum head
- Adjustable ball-bearing wheels, metal swivel handle
- 20868 14" Standard
- 82701 22" Commercial Grade
- 82703 19" Deluxe
- 82704 14" Commercial Grade



Leaf Eaters

- Quickly removes leaves, bugs and debris from pool
- Powered by your garden hose
- 20144 Leaf Bagger Brush/Wheel Combo
- 20116 Replacement Bag-Regular Mesh
- 20110 Replacement Bag-Fine Mesh
- 20956 Replacement Wheel 3-Pack



POOL BLASTER



Pool Blaster PRO

- Battery Powered Cordless Pool Vacuum
- Attaches to any pool pole
- First truly commercial Pool Blaster suitable for the service industry
- Triple the power of regular pool blaster
- 58034 Pool Blaster PRO



Pool Blaster iVac 350

- 400% more debris catching capacity
- Larger head increases the cleaning path and lessens total cleaning time
- Hand Held Battery Powered
- 58054 iVac 350
- 62133 Sand/Silt Bag



Pool Blaster iVac 250

- Large debris chamber and filter bag
- Larger head increases the cleaning path and lessens cleaning time
- 58053 iVac 250
- 62119 Sand/Silt Bag
- 62112 Flex Hose Extension



Pool Blaster iVac 150

- Hand Held Battery Powered
- Universal Cleaner
- For use with any pool, from a spa to a commercial pool
- Attaches to any standard pool pole
- 58052 iVac 150
- 62110 Fine Filter Bag

CALCIUM REMOVERS



Pool Stone

20664

Stone w/handle

20658

Pool Stone 3-pk

20660



EarthStone

- Easily cleans ceramic tile, grout and concrete surfaces
- 20184 Calcium Eraser
- 20186 Concrete/Plaster



Erase It

- Revolutionary and easy to use stain removers
- 20185 Tile Grout Eraser
- 20186 Concrete/Plaster



CuLator

- Eliminates copper, iron, manganese, nickel, cobalt & lead
- Acts like a sponge to rapidly remove metals from pool and spa water
- 14153 Packet

WATERLINE CLEANERS



Ultimate Scale & Stain Remover

- Removes calcium deposits, mineral scale, iron stains, and scum buildup from pool surfaces and tile
- 14222 1/2 gal
- 14223 1/2 gal



#300 Tile Cleaner

- Removes calcium deposits, dissolves oil, grease and most soils in minutes
- 14827 1 qt



BIO-DEX Protect-All Supreme

- Controls swimming pool stain, scale, calcium, rust and corrosion, and eliminates water hardness problems
- Eliminates water hardness problems
- 14809 1 qt



Clean & Perfect

- The perfect indoor/outdoor cleaner
- Powerful natural enzymes and surfactants
- Use on all hard surfaces such as spas, vinyl, spa & pool covers, outdoor furniture, decks, etc.
- 14128 24 oz

CLEANING PARTS



Backwash Hose

- Strong, durable
- 22426 1 1/2" x 25'
- 22427 1 1/2" x 50'
- 22428 1 1/2" x 100'
- 22429 2" x 25'
- 22431 2" x 50'
- 22432 2" x 100'



Large Leaf Canister
58958



Std. Leaf Canister
58972



Basket Leaf Canister
58953



Pole Hangers

- Secure these handy hangers to your fence or wall
- 83105 Set of two aluminum
- 16222 Set of two plastic (Not Shown)

Hayward APC Canister & Parts

- Extra-large basket or bag traps leaves and debris before they reach the filter system
- Not Shown
- 58960 Bag Assembly
- 58893 Hose Adaptor Male

REPLACEMENT PARTS



Vac Wheel 4-pk
20940



Vac Handle Replacement
20885



Spring 3-pk
20771



Metal Swivel Vac Handle
20979



Easy Lock Cam
20792



Telepole Handle
20790

LED LIGHTING



J&J PureWhite LED Light



Hayward Crystal Logic



Pentair Intellibrite White 5G Light

J&J Electronics Purewhite Led Pool Light Fixtures

Product	Voltage	Wattage Equivalency	Actual Wattage	Cord Length
54191	120	300	39	50'
54190	120	300	39	100'
54192	120	300	39	150'
54166	120	500	58	50'
54167	120	500	58	100'
54168	120	500	58	150'
S/O	12	300	39	50'
S/O	12	300	39	100'
904114	12	300	39	150'
54170	12	500	58	50'
904870	12	500	58	100'
904229	12	500	58	150'

J&J Electronics PureWhite LED Spa Light Fixtures

Product	Voltage	Wattage Equivalency	Actual Wattage	Cord Length
54201	120	100	18	50'
54199	120	100	18	100'
54200	120	100	18	150'
54203	12	100	18	50'
904123	12	100	18	100'
902166	12	100	18	150'

Picture courtesy of J & J Electronics



Pentair Intellibrite White 5G Pool Light Fixtures

Product	Voltage	Wattage Equivalency	Actual Wattage	Cord Length
300103	120	300	40	50'
300104	120	300	40	100'
300105	120	300	40	150'
300109	120	500	55	50'
54174	120	500	55	100'
301265	120	500	55	150'
300107	12	300	40	50'
301266	12	300	40	100'
54090	12	300	40	150'
318187	12	500	55	50'
S/O	12	500	55	100'
318189	12	500	55	150'

Pentair Intellibrite White 5G Spa Light Fixtures

Product	Voltage	Wattage Equivalency	Actual Wattage	Cord Length
300123	120	100	18	50'
54179	120	100	18	100'
321466	120	100	18	150'
304663	12	100	18	50'
321468	12	100	18	100'
321428	12	100	18	150'

Hayward Crystal Logic Pool Light Fixtures

Product	Voltage	Wattage Equivalency	Actual Wattage	Cord Length
322917	12	300	-	50
300234	12	300	-	100
361495	12	300	-	150
903189	12	500	-	50
903190	12	500	-	100
901250	12	500	-	150

Hayward Crystal Logic Pool Light Fixtures

Product	Voltage	Wattage Equivalency	Actual Wattage	Cord Length
304433	12	100	-	50'
322916	12	100	-	100'
900045	12	100	-	150'

INCANDESCENT LIGHTING



Pentair SpaBrite Spa Light



Hayward Spa Sunburst Frame Clear



Hayward Spa White Frame Clear

Pentair Amerlite Incandescent Pool Light Fixtures

Product	Voltage	Wattage	Cord Length
300140	120	300	50'
300142	120	300	100'
S/O	120	300	150'
54031	120	500	50'
54037	120	500	100'
S/O	120	500	150'
300138	12	100	50'
54176	12	100	100'
613552	12	300	50'
613550	12	300	100'

Pentair SpaBrite Incandescent Spa Light Fixtures

Product	Voltage	Wattage	Cord Length
54068	120	60	50'
54100	120	60	100'
319639	120	60	150'
621040	12	100	50'
621051	12	100	100'

Pentair Aqualight Halogen Spa Light Fixtures

Product	Voltage	Wattage	Cord Length
621033	120	100	50'
54184	120	100	100'
54175	120	250	50'
54178	120	250	100'
621044	12	75	50'
S/O	12	75	100'

Hayward Astrolite II Halogen Spa Light Fixtures

Product	Voltage	Wattage	Cord Length
312847	120	100	50'
312849	120	100	100'
624172	120	250	50'
312851	120	250	100'
624173	12	75	50'
S/O	12	75	100'

Hayward Astrolite Incandescent Pool Light Fixtures

Product	Voltage	Wattage	Cord Length
304422	120	300	50'
312864	120	300	100'
S/O	120	300	150'
54030	120	500	50'
220869	120	500	100'
S/O	120	500	150'
301392	12	100	50'
306316	12	100	100'
54032	12	300	50'
S/O	12	300	100'

Hayward Astrolite II Incandescent Spa Light Fixtures

Product	Voltage	Wattage	Cord Length
223720	120	100	50'
220941	120	100	100'
S/O	120	100	150'
306531	12	100	50'
306533	12	100	100'

LANDSCAPE LIGHTING



Commercial Grade Lighting

Rugged die cast aluminum housing multiple finish colors available. Hardware included.

78364 Color Changing 20W 12V
78365 Color Changing 20W 120V
- 16 color options changed via remote
- Brightness reduction, fade, fast, strobe and smooth color changing

78367 Color Changing 10W 12V
- 14 color options changed via remote

78366 White 8W 12V
78368 Ground Light White 20W 12V
78639 Ground Light White 20W 120V
S/O

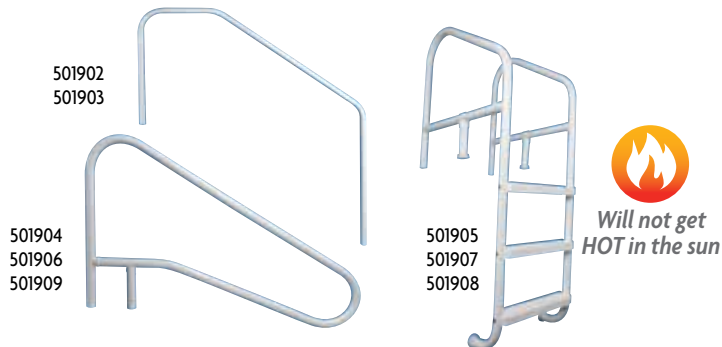


SAFTRON HANDRAILS

High Impact Polymer Pool Rails

- No Bonding/Grounding Required.
- Best Choice For Use With Salt Chlorinators
- Industry Designs And Standards
- Available In 5 Standard Colors
- 5 Year Warranty
- Fully Encapsulated Steel Reinforced

- 501900 48" Deck to Pool Rail-White
- 501901 60" Deck to Pool Rail-White
- 501904 26" x 30" 3 Bend Rail to Deck-White
- 501906 52" x 32" 3 Bend Rail to Deck-White
- 501909 54" x 32" 3 Bend Rail to Deck-White
- 501902 60" 3 Bend Deck to Pool Rail-White
- 501903 72" 3 Bend Deck to Pool Rail-White
- 501907 24" x 67" IG 3 Step Ladder-White
- 501908 30" x 67" IG 3 Step Ladder-White
- 501905 36" x 67" IG 3 Step Ladder - White



ARTISAN SERIES HANDRAILS



Art-1001/ART-1001S
Easily retrofits into an exiting figure 4 setting.
S/O Grab Rail



Art-1005
Easily replaces an existing Deck Mounted Hand Rail (50-902).
S/O Mounted Hand Rail



Art-1002
Retrofits into an existing 5-ft 2-Bend or 3-Bend setting.
S/O 2-Bend
S/O 3-Bend



Art-1004
Rasily replaces an existing DMS-100, DMS-101, DMS-102, or DMS-103.
S/O Stair Rail

ARTISAN SERIES STAIR RAILS

BEND STAIR RAILS



2-Bend Stair Rails
2-Bend Stair Rails come in a wide variety of lengths to accommodate almost any pool. Constructed of stainless steel, these rails can also be powder coated for additional protection.
S/O White
S/O Rock Gray
S/O Taupe



3-Bend Stair Rails
3-Bend Stair Rails come in a wide variety of lengths to accommodate almost any pool. Constructed of stainless steel, these rails can also be powder coated for additional protection.
S/O

FIGURE 4 HANDRAILS



Figure 4 Handrails
Figure 4 handrails are constructed from high-quality stainless steel, with the option of powder-coating or vinyl-coating for an added layer of protection.
*Minimum requirement for salt pools is 316L Marine Grade
S/O

P-RAILS



P-Rails
P-Rails provide an ideal hand grip for in-wall pool ladders. The long lasting, stainless steel, high-sheen mirror finish will keep your pool looking great for years, with little maintenance.
S/O P-rail

COMMERICAL RING HANDRAILS



Commercial Ring Handrails
Commercial Ring handrails provide a suitable hand grip for in-wall pool ladders. The long lasting, stainless steel, high-sheen mirror finish will keep your pool looking great for years with little maintenance
S/O Ring Handrails



Whether it's a minor variation to one of our standard rail configurations, or something dreamed up on your own, Leslie's can build the special rail you need for your project. Large or small, simple or complex, our experienced builders can create any rail you desire. We offer a variety of options so every rail will be built according to your exact specifications.

KOOL GRIPS



POOL AND SPA HANDRAIL COMFORT COVERS

KoolGrips Comfort Covers provides a nonslip grip and protection from the burn of the summer heat or when rails are too cold to hold during winter than that of an uncovered rail. KoolGrips Comfort Covers are also a great alternative to replacing expensive handrails and ladders due to rust stains, scratches, and dents as well as complimenting any yard and patio decorative motif.

Available in 3 colors: Royal Blue, Desert Tan, and Indain Teal
Five length sizes: 2', 4', 6', 8', and 10'
Covers fit pool and spa handrails and ladders from 1.625" - 1.9" in diameter.

GREAT ALTERNATIVE to replacing rusted, stained and dented rails
GREAT PROTECTION from hot or cold handrails
GIVES EXTRA ASSISTANCE to children and seniors

Providing comfort with a nonslip grip...every customer, every time!



LADDERS



Commercial Ladders
Commercial ladders are made from thick stainless steel tubing, and are suitable for heavy duty use in commercial aquatic facilities. Commercial ladders come in three different sizes, 24", 30" or 36" to fit your pool. Stainless steel treads will ensure that your ladder stays looking great for years to come.
S/O 24", 30", 36" Ladders



Standard Crossbrace Plus Ladders
Standard Crossbrace Plus ladders are made from thick stainless steel tubing, and are suitable for heavy duty use in commercial aquatic facilities. These ladders feature a crossbrace for added stability, with either durable plastic or stainless steel treads.
S/O Standard Crossbrace



Standard Plus Ladders
Standard Plus ladders are made from thick stainless steel tubing, and are suitable for heavy duty use in commercial aquatic facilities. These ladders can be configured with either durable plastic or stainless steel treads.
S/O Standard Plus

DIVING PLATFORMS



Steel Meter Stand
The Steel Meter stand comes in three sizes ranging from 1/2 meter to 1 meter in height. The steel, powder coated construction is built to last for years with minimal maintenance. Board length will be determined by size and type of pool. Handrails are required for 3/4 and 1 Meter models and are sold separately
S/O Steel Meter Stand



Deluxe Towers
Deluxe Towers come in 1 and 3 meter heights to accommodate 14' or 16' diving boards, allowing you to find the perfect size for your commercial diving pool. Choose from right, left, dual or heel mount models. The steel tower is primed only and ready for a paint topcoat.
S/O Deluxe Tower



Econoline 1 Meter Tower
The Econoline 1 Meter Tower is a great stand for commercial pools that need a durable, mid-sized diving tower that will hold up to moderate to heavy-duty use. The Econoline tower is primed only and requires a paint topcoat. Handrails are required for this tower, and are sold separately.
S/O 1 Meter Tower

Leslie's Swimming Pool Supplies does not offer installation for Diving Platforms



Olympian Board Aluminum Eureka Board Fiberglass Swim Club Board Frontier IV Board Fibre-Dive Board

FLOWMETERS

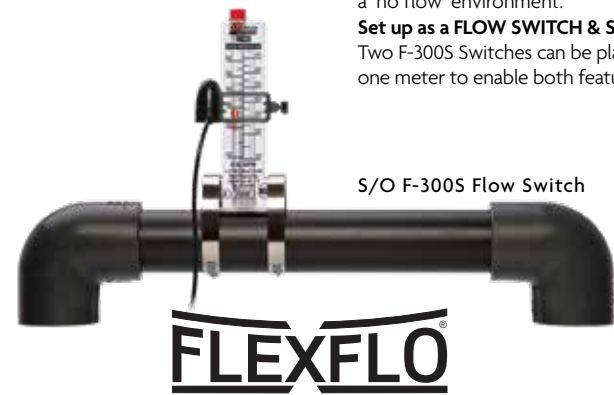


F-300 Flowmeter
Quick Accurate Flow Measurement
 Blue-White® has re-engineered the classic F-300 Series Flowmeter to make it even more accurate, reduce space requirements for installation, and to provide enhanced features without changing the iconic look of this Industry favorite – including the Red Cap!

- Determine Circulation System flow rate in seconds
- Installs quickly!
- One piece machined acrylic meter body – polished to a clear finish
- Easy to read, high resolution dual scale, permanently printed
- Read flow from either side of the meter body
- Ships complete with gasket seal and mounting clamps

F-300 Flow Switch
OPTIONAL FLOW SWITCH IS DESIGNED TO DETECT FLOW / NO FLOW
 When the New F-300 Flowmeters' Red PVDF float enters the Alarm Trigger Zone of the F-300S Sensor, the built-in dry contact switch closes – providing a trigger to external devices.

IT'S A SWITCH, OR A SENSOR, OR BOTH!
Set up as a FLOW SWITCH:
 The F-300S detects if the flow rate is at the desired level.
Set up as a FLOW SENSOR:
 The F-300S detects whether the water is flowing through the pipe, or if there is a 'no flow' environment.
Set up as a FLOW SWITCH & SENSOR:
 Two F-300S Switches can be placed onto one meter to enable both features!



For Accuracy of + 2%, a Digital Flowmeter is a Great Investment

F-1000 Paddlewheel Flowmeter
For vertical or horizontal installation. Easy to install, easy to operate. An excellent choice for water parks & water features. Blue-White's carefully engineered BW DIGI-METER® F-1000 Series is a Battery Operated Pipe Mount Display which includes premier features and provides outstanding performance.

- Factory programmed to your specifications – nothing to program.
- Battery powered with 2 AAA batteries included
- Easy to read 6 digit LCD display with up to 4 decimal positions
- Display update time: Rate 1.5 seconds
- Tamper proof
- Weather resistant ABS enclosure NEMA 4X
- Custom calibration units available.
- Contact the factory for additional information

Three model variations:
RB = RATE ONLY, TB = TOTAL ONLY, RT = RATE & TOTALIZER
 S/O

F-2000 Flow Monitoring System

The BW DIGI-METER® F-2000 is an **AC or Battery Operated Remote Mount Display** which combines innovative features and benefits, and the finest materials of construction to provide an accurate and versatile Digital Flowmeter.

- Easy to read 8 digit LCD, up to 4 decimal positions
- Flow rate and total flow display
- Battery operated. 4 AA Batteries included. AC/DC transformer available
- Factory programmed with calibration certificate

- Field programmable via front panel touch pad
- Front panel security lockout
- Total reset function can be disabled
- Weather resistant ABS enclosure
 Note: LCD is not recommended for direct sunlight applications
- Includes 25' of cable for remote panel mounting
- Optional Pipe/wall mounting kit available
- Sensor mounting option available
- Custom calibration units available, contact the factory

SADDLE FITTINGS
 1", 1.5", 2", 2.5", 3", 4", 6", 8", 10", 12"

SOLVENT WELD PVC TEE FITTING
 1", 1.5", 2", 3"



LADDER/SLIDE PARTS



Handrail Stabilizing Plug
 621151 Carbon Fiber 136-A 1.90"
Safron Anchor Socket Cover
 501951 White 5.75" cap with 1.93" plug

Escutcheons
 28515 Oval Escutcheon Chrome
 28509 Escutcheon Cover Chrome

Bumper/Caps
 28500 Ladder Bumper 2-pack
 28510 Ladder Cap 2-pack
More available

Safron 3 Step Ladder Refurbishing Kit
 Contains 3 steps, 3 sets of hardware, 2 bumpers and 2 escutcheons
 366882

Over 25,000 parts. If you need it, Leslie's has it!

POOL/SPA LIGHT PARTS



Light Lenses, Gaskets and Adapters

- | | |
|--------------------------------|--|
| 64500 American Products Gasket | 64563 Swimquip Light Gasket |
| 54464 Light Lens Clear | 54482 Light Lens Clear |
| 64505 Small Light Gasket | 54540 Pool Light Wedge |
| 611148 Light Lens Clear | 54500 S/O Face Ring Adapters American Products |
| 64520 Hayward Light Gasket | |
| 54461 Light Lens Clear | |

SR SMITH LADDER PARTS



Ladder Step
 28525 SRS 20" Ladder Step



Bronze Anchors
 28530 3" Bronze Deck Anchor
 609170 Anchor Wedge
 609296 Bronze 4" Deck Anchor

MISCELLANEOUS PARTS



PVC Auto Fill
 Used to maintain the water level of a pool, spa or pond automatically and unattended
 34233 S/O PVC Auto Fill

Return Fitting HA
 30225 SP1419E
 30220 SP1419D

Debris Shield

- Reduces maintenance
- Extends filter cycles
- Capturing more debris than skimmer baskets alone

 20732 5-pack

Vac Lock
 Vac lock allows you to hook up your suction cleaner line and holds it in place. It also locks out the suction line when the cleaner is out of the pool. A must for safety in all pools.

- Locks pool suction-side port

 58940

Bronze Auto Fill
 Used to maintain the water level of a pool, spa or pond automatically and unattended
 34234 Bronze Auto Fill

1.800.LESLIES
Call Us for an Estimate

SKIMMER BASKETS



Pump Baskets

- 36090 Hydramax/Hayward Super II/Hayward RS
- 36047 America Ultra-Flow
- 36343 Pac Fab Challenger
- 36438 Sta-Rite Dura-Glass Coarse
- 36440 Sta-Rite Dura-Glass Fine
- 36437 Sta-Rite Maxiglass
- 36380 WhisperFlo
Not Pictured
- 36095 Hayward Northstar
Not Pictured
- 617000 Jandy Stealth Plus, Max HP
Not Pictured

Many other sizes available



Skimmer Baskets

- 34235 American Products Float Skimmer
- 36530 A/P Cyclocac top 8-7/15", bottom 7-1/2", ht. 7-3/4"
- 36565 Baker Hydro top 7-13/14", bottom 5", ht. 6"
- 36840 Swimquip 6 Swimrite top 8-5/16", bottom 5-3/4", ht. 5-3/16"
- 36795 Pac Fab top 7-1/4", bottom 5-3/8", ht. 4-5/8"
- 36500 American Products top 6-1/4", bottom 4", ht. 3-7/8"
- 36680 Hayward SP1082 top 7", bottom 6-1/2", ht. 5"

Many other sizes available



Skimmer Basket Handle

- Allows you to remove the skimmer basket without getting your hands wet, avoiding the critters, even the ones you can't see
- Handle sits above the waterline, and above the creepies in your basket

Debris Shield

- Reduces maintenance
- Extends filter cycles
- Capturing more debris than skimmer baskets alone

20732 5-pack



FloSkim Basket

- Tower vent design
- Allows water to circulate through skimmer when full of debris
- Helps prevent damage to pump and motor
- Easily removable
- Avoid putting your hands in the debris

36052 Fits Sta-Rite U3

& Hayward 1070 skimmer

36054 Fits Hayward 1080 skimmer

36053 Fits Baker Hydro skimmer

Over 25,000 Parts Available!

CERTIFIED POOL-SPA OPERATOR

"Let Leslie's show you how to maintain a Safe and Efficient Aquatic Environment."

SIGN UP FOR A CPO® CLASS TODAY!

Visit your local Leslie's Commercial Service Center or Retail Store for easy registration.

We've Certified Over 18,000!

Commercial Training Available!

Certified Pool-Spa Operator (CPO®) Course



Leslie's offers the nationally recognized CPO® Course throughout the year in numerous cities. CPO® training includes the knowledge and skills necessary to efficiently and safely operate and manage swimming pools and spas. Over fifteen states and numerous local health departments now require CPO® certification and this trend will continue in the future. Let Leslie's professionals train your staff the right way!

TOPICS INCLUDE:

- Water chemistry, testing, chemical additions and chemical safety
- Pool and spa calculations for efficient operations
- Circulation/filtration • Safety considerations
- Energy management • Pool management

BENEFITS OF TRAINED CERTIFIED PERSONNEL:

- Potential insurance savings.
- Reduced liability.
- Compliance with state and local regulatory requirements
- Operational savings – equipment, chemical and personnel
- Safe, clean, clear and sanitary pool/spa water means satisfied guests, residents or patrons

Private classes available for groups of 20 or more. CPO® training is the commercial standard! The CPO Course and Certification Exam offered though Leslie's is available in English only.



CPO® Training Course and Handbook

- Handbook contains calculation formulas and all of the latest reference information for commercial pool operators.
- Handbook available only through Leslie's CPO® Training Course.

97120 Course/Handbook



Leslie's Instructors recognized with certifying the most participants

Spanish Version of CPO® Handbook

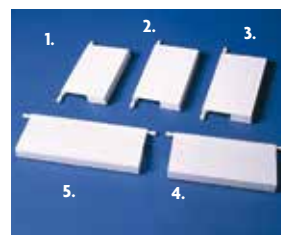
- The only instruction book that offers fundamental training and reference information for Spanish speaking pool and spa professionals
- Supplements the English version of the CPO® Handbook

610231 Spanish Handbook

Available through Mail Order Only

Recognized for over 20 years as the Pool Industry's Training Leader 1998 – 2017

WEIR FLAPS



Weir Flaps

- Keeps leaves and debris trapped in the skimmer
 - Maximizes skimming
- 34967 7-1/4" Pac Fab
 - 34909 8" American Products
 - 34965 8-3/8" Swimquip
 - 34948 8-3/8" Hayward SP1070
 - 34924 8 3/8" Universal

Call for Details



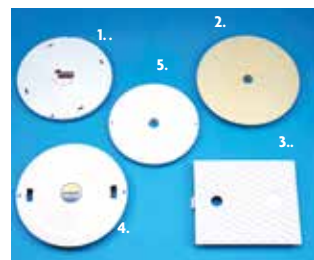
Skimmer Weir Conversion

Broken or missing weir blades?

- Convert your U-3 type skimmer into a circular weir

621147 U-3 Type Circular Weir

REPLACEMENT COVERS



Skimmer Covers

- This is just a sample of the many covers we offer. Call our toll-free number below if you don't see what you're looking for

- 34410 American Products 9" Lid
- 34420 Baker Hydro Lid
- 34430 Hayward Round Lid SP 1096B
Not Pictured
- 34435 Hayward Round Lid SP 1084R
Not Pictured
- 34440 Hayward Square Lid SP 1082B
- 34450 Jacuzzi and Swimquip 10" Lid
- 34460 Pac Fab Lid



Skimmer Lid w/ Thermometer

- Eliminate replacement, theft, and breakage
- Hermetically sealed face is built for strength and weather resistance

- 34472 S/O Swimquip White
- 620965 S/O Swimquip Almond
- 620966 S/O Swimquip Grey
- 34422 S/O Baker Hydro White
- 34442 S/O Hayward 10" X 10" White
- 620961 S/O Pentair Almond
- 620962 S/O Pentair Grey
- 34418 S/O Pentair White

SKIMMERS

Hayward SkimMaster® Series Skimmers

- Adjustable deck collar and access cover
- Large debris basket and multiple plumbing connections for easier connections
- Automatic bypass for low water conditions

S/O SkimMaster

Hayward Auto-Skim™ Series Skimmers

- Optional float/bypass valve
- Stackable notched extension collar allows infinite vertical adjustment
- NSF Certified (approved when used with commercial cover and equalizer)

S/O Auto-Skim

PAINT SURFACE PREP KIT



Smart Seal PrepWise

- No need to acid wash with this product, it does everything in one step
- 1-gallon is suitable to prep 400 sq. ft. surface
- One-step prep for pool and deck paint
- Can be used on bare concrete, gunite, marcite, bare fiberglass, plaster, and painted surfaces 26697

Why pay more for a better coating?

A less expensive coating starts deteriorating in a few weeks, resulting in peeling, blistering and powdering, which can clog filters and produce murky water. Cheaper coatings will not provide good service or satisfaction and usually result in an expensive sandblasting before a quality coating can be applied.

POOL COATING



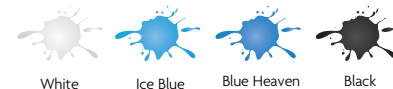
Great Coverage per Gallon!



Dura Seal (Catalyst included)

- Our best pool coating!
- Cures to a bright tile-like finish
- For application on bare, sandblasted or old epoxy surfaces
- Resists staining and algae growth, and is virtually maintenance free!
- Primer required on bare surfaces
- **COVERAGE 125-150 SQ. FT. PER GALLON**

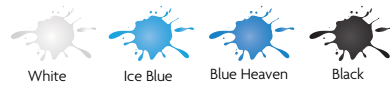
- 26640 1 gal, White
- 26641 1 gal, Ice Blue
- 26642 1 gal, Blue Heaven
- 26643 S/O 1 gal, Black
- 26790 S/O 4 gal, White
- 26791 S/O 4 gal, Ice Blue
- 26792 S/O 4 gal, Blue Heaven
- 26793 S/O 4 gal, Black



Aqua Seal

- Superb acrylic enamel pool coating
- Water-based formula that can be applied to damp surfaces
- Virtually no solvent odor
- Perfect choice for annual commercial applications or indoor facilities
- Minimum two coats on initial application
- **COVERAGE 250-275 SQ. FT. PER GALLON**

- 26650 1 gal, White
- 26651 1 gal, Ice Blue
- 26652 1 gal, Blue Heaven
- 26653 S/O 1 gal, Black
- 26655 S/O 5 gal, White
- 26656 S/O 5 gal, Ice Blue
- 26657 S/O 5 gal, Blue Heaven
- 26658 S/O 5 gal, Black



ATTRACTIVE SATIN FINISH



SR Pro 7

- Formulated for covering old rubber-base finishes or smooth finishes
- Attractive satin finish
- Excellent chemical and immersion resistance
- Economical protection
- Minimum two coats on initial application
- **Coverage 250-275 Sq. ft. per gal**
- 26700 1 gal, White
- 26701 1 gal, Ice Blue
- 26702 1 gal, Blue Heaven
- 26703 1 gal, Black
- 26705 S/O 5 gal, White
- 26706 S/O 5 gal, Ice Blue
- 26707 S/O 5 gal, Blue Heaven
- 26708 S/O 5 gal, Black

Draining your pool to paint, or repair? Great time to replace the drain cover. See page 84.



34028



CRC 3000

- Commercial grade chlorinated rubber pool paint
- The perfect choice when on a tight budget
- Excellent for seasonal applications
- **COVERAGE 250-275 SQ. FT. PER GAL**
- 26710 1 gal, White
- 26711 1 gal, Light Blue
- 26712 1 gal, Dark Blue
- 26713 1 gal, Black
- 26715 5 gal, White
- 26716 5 gal, Light Blue
- 26717 5 gal, Dark Blue
- 26718 5 gal, Black

Rubber Based Coating

DECK PAINT



Patio Perfect

- Add beauty and protection to any patio or deck
- Rolls on easily
- Covers unsightly repairs; lasts for years
- Formulated with durable acrylic
- **COVERAGE 100-125 SQ. FT., DEPENDING ON SURFACE**
- 26550 1 gal, Prairie Sand
- 26552 1 gal, Desert Tan
- 26553 1 gal, Stone Creek
- 26554 1 gal, Honey Mist
- 26555 S/O 5 gal, Prairie Sand
- 26557 S/O 5 gal, Desert Tan
- 26558 S/O 5 gal, Stone Creek
- 26559 S/O 5 gal, Honey Mist



Special Order Colors Available

CONVERSION COATING



Use Only with DuraSeal

Smart Step

- Converts Rubber Base to Epoxy
- Clean surface then roll on Smart Step
- Follow with one coat of Dura Seal
- Last for years
- Coverage: 225-250 sq ft per gallon
- 26646 1 gal

EPOXY PRIMER



Use Only with DuraSeal

Prime It

- Designed for smooth, bare concrete or plaster surfaces as an undercoat for Dura Seal
- Compatible with wet surfaces and helps reduce downtime (For bare surfaces only)
- Coverage 250 Sq. ft. per gallon
- 26648 1 gal



Use Only with DuraSeal

Rough Prime

- Helps smooth out rough concrete or plaster
- Recommended for sandblasted surfaces
- Has excellent adhesion to fiberglass
- Used as an undercoat for Dura Seal
- Coverage 125-150 Sq. ft. per gallon
- 26649 1 gal
- 26795 4 gal

NON-SKID



Skid Mix

- This non-skid additive creates a slip-resistant surface on concrete decks and pool surfaces
- Recommended use is one pound per gallon or broadcast as needed on first coat of paint followed by a second coat to seal the surface.
- Great to add to steps
- 26695 1 gal
- 26696 1 qt

PATCH & CLEANERS



Patch-It

- Waterproof hydraulic cement
- Patch-It without draining the pool
- 26752 3 lb
- 26760 10 lb
- 26761 S/O 50 lb



Epoxy Putty A+B White

- Easy-to-use, two part putty you simply mix and mold like clay
- Forms into any shape
- Fill cracks or holes in decks and broken tiles
- Hardens in one hr. cures in 12 hrs.
- Cures under water
- 26281 7 oz White
- 26282 7 oz Tan
- 26280 15.5 oz White
- 26285 15.5 oz Tan

JOINT SEALANT



Deck-O-Seal

- Self-leveling joint sealant, non staining
- Goes on easily with applicator
- 96 ounces cover an area 1/2" wide and 231' long
- Available in Gray, Tan or White
- 26220 Gray 96 oz Kit
- 26225 Tan 96 oz Kit
- 26230 White 96 oz Kit

Deck-O-Seal One-Step Sealant

- Stays flexible and won't become brittle or crack due to UV exposure
- Will not cause discoloration
- Ideal for use above the waterline
- 26260 Gray
- 26265 Tan
- 26270 White

LESLIE'S TECH TIP

How to apply paint...

- Prepare surface with our one step preparation product, PrepWise
 - Follow the application instructions provided on the label
 - Observe minimum and maximum application temperatures outlined on the label
- Do not apply during a hot midday sun
 - Use a 9" roller with a 7/16" nap and solvent-resistant core
 - Use quality handles and rollers
 - Use a basic rolling technique
 - Start with the deep-end walls, and work toward the shallow end
- Although rolling is recommended, contact Smart Seal for application tips if a spray method is being considered
 - Prior to filling your pool, ALWAYS consult the curing schedule outlined on the label
 - If using Dura Seal, sprinkle some white silica sand on pool steps for slip-proofing

For the Closest Location Visit LesliesPool.com/stores or Call 1.800.LESLIES (537.5437) option 4



Make Your Old Pool Look NEW!



POOL BLASTER & SPA CLEANERS



Pool Blaster iVac 150

- Hand Held Battery Powered
- Universal Cleaner
- For use with any pool, from a spa to a commercial pool
- Attaches to any standard pool pole

58052 iVac 150
62110 Fine Filter Bag



Pool Blaster iVac 350

- 400% more debris catching capacity
- Larger head increases the cleaning path and lessens total cleaning time
- Hand Held Battery Powered
- For use with any pool

58054 iVac 350
62133 Sand/Silt Bag



Pool Blaster iVac 250

- Enlarged debris chamber and filter bag
- Larger head increases the cleaning path and lessens total cleaning time

58053 iVac 250
62119 Sand/Silt Bag
62112 Flex Hose Extension

RAIL COVERS



Koolgrip Rail Covers

- Neoprene Rail Covers keeps rails cool to the touch
- Padded comfortable gripping
- Royal Blue, Teal and Desert Tan

28416 4' Royal Blue
28420 6' Royal Blue
28424 8' Royal Blue
28427 10' Royal Blue

SPA CHEMICALS



Spa Anti-Foam

- Concentrated, safe and effective

48072 1 qt

Spa Ultra Bright Clarifier

- Water clarifier

48169 1 qt



Spa Perfect

- Natural enzyme formula eliminates body oils, sweat and other organics that are problematic in spas
- Helps keep filter clean
- Eliminates "bath tub" ring

48306 1 lt
14160 1 gal commercial
48309 S/O 5 gal commercial

NATURAL CHEMISTRY



Trade Grade Power Blend

- New, Exclusive Leslie's formula
- Combination of the following:
 - Triple Strength Enzyme Blend
 - Phosphate Removing

12312 1 gal
12313 5 gal



Trade Grade Pool Clarifier

- Replaces Clear Commercial AF and Clear & Perfect Commercial
- Choice of underlying chemical:
 - Chitosan based - Clear

12314 1 gal
12315 5 gal



Trade Grade Phosphate Remover

- Replaces PHOSFree Commercial AF
- Strongest, most effective phosphate remover on the market, one ounce will remove 12,000 ppb.

12321 1 gal
12322 5 gal



Trade Grade Pool Enzymes

- Replaces Pool Perfect Commercial or Pool Perfect Plus
- Combination of the following:
 - Triple Strength Enzyme Blend specifically developed for high bather load water

12308 1 gal
12309 5 gal

MECHANICAL TIMER

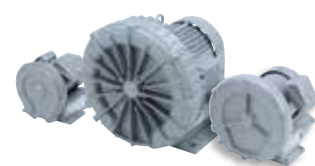


Timer Switch

- Run your spa blower at a preset time limit
- Can be installed in a standard 2" deep vertically installed junction box in place of a regular single-pole light switch

84180 S/O 15-min. Timer

SPA BLOWERS



Spa Blowers

- UL-listed terminal boards & motors offer sealed bearings and quiet operation within OSHA requirements

84425 S/O 1 hp 3 phase
84426 S/O 1 hp 1 phase
84434 S/O 2-1/2 hp 3 phase
84428 S/O 2-1/2 hp 1 phase
84429 S/O 4-1/2 hp 3 phase

REPLACEMENT LIDS



Skimmer Lid w/Thermometer

- Eliminate replacement, theft, and breakage
- Hermetically sealed face is built for strength and weather resistance

34418 S/O Fits American 9-3/16" round
34472 S/O Fits Hayward, SwimQuip & Jacuzzi 9-7/8" round
34442 S/O Fits Hayward 10" square

More lids available. See page 72

THERMOMETER



EZ Combo

- 2-in-1 for pool and spa
- Floats with snap-on cap

20808

1.800.LESLIES
Call to place your order

SHUT-OFF



Emergency Shut-Off System w/Alarm

- Applicable for new and existing installation
- Simple resort functionally

600858 S/O

SIGNS



Emergency Shut Off

82783 12" x 9"

Spa Capacity

82787 18" x 12"

More signs available. See page 80-81

V.G.B. COVERS



SDX High-Flow Cover

34028 - S/O White

Drain Safe DS360M

- Retrofits most 5 1/2" – 8" sumps
- Works on dual drains as well as single-suction outlets
- 27 sq. in. open surface area

32841

More covers available. See page 84

SPA LED LIGHT



Color Splash 3G Spa Light

The Color Splash 3G is a multi-color LED spa light that transforms any spa or hot tub into underwater fun and excitement

- LED spa light
- Multi-Color LED, 120V
- 7 colors, 5 light shows
- Up to 50,000 hours of light

54070

SPA BROMINE TABS



Spa Bromine

- Fast-dissolving chlorine concentrate does not leave a residue
- Creates more comfortable water with no chlorine smell.

48103 1.5 lb
48106 4 lb

SODIUM BROMIDE



Sodium Bromine

- Granular, 99% sodium bromide
- Creates a "bromine bank"
- Dosage: 2 oz per 500 gal

14130 4 lb
48101 2 oz

WATER ADJUSTERS



Alkalinity Up

- Raise the total alkalinity
- Balanced spa water is more comfortable and easier to maintain
- Stabilize pH

48051 2 lb
14060 5 lb

Spa pH Up

- Raises pH and total alkalinity
- Pre-mixed – just add to spa
- Compatible with all sanitizer

14136 1 qt

We Carry a Full Line of Spa Products, Supplies and Water Treatment Solutions



First Aid Kit

- Kit includes: knuckle bandages, non-aspirin acetaminophen, 3/4" x 3" plastic strips, PVP wipes, bee sting solution, 24" x 72" sterile gauze roll compress, adhesive tape strips, eye pads, scissors, first aid cream, 5" x 9" ABD pad, tape, butterfly closure, triangular bandages, splinter forceps and a Kwik-Kold™ kit

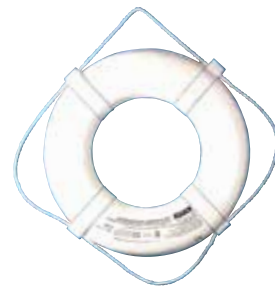
82500 S/O



Throw Rope

- Each rope comes with 60' of heaving line and a "Lemon Anchor" for holding line with your foot

82758 Throw Rope



Life Ring

- Available in 20" and 24"
- U.S. Coast Guard approved

24415 20" Life Ring

24418 24" Life Ring



Life Ring Box

- Keeps your Life Ring in good condition year-round with this easy-to-open Life Ring Cabinet
- Features unbreakable polycarbonate window and stainless-steel hinges and fittings

82749 S/O with 24" ring

82750 S/O without ring



Non-Conductive/Non-Telescoping Poles

- Constructed of rigid fiberglass with UV protective coating to prevent splintering
- Use with life hook

20793 12'

20794 16'



Rope Float Set

24635 3/8" set 20'

24695 3" x 5" float

Bulk Rope Per Foot

24451 3/4"

24441 1/2"

Rope Hooks

24680 1/2"

24682 3/4"



Emergency Hands-Free Phone

- Transmits a unique location I.D. code, will dial a second number on busy or "no answer"
- Can connect directly to a C.O. line or analog PABX/KSU station and is remotely programmable

83650



Life Hook

- Built to last & a must for every pool

83665 Life Hook

20975 Connecting Wingnut & Bolt

83105 Set of 2 Pole Hangers

Attach to a non-telescoping pole only, does not include pole.

Your Safety Products Solution Provider



Rescue Can

- Features 6 hand grips to help calm the swimmer in trouble
- Tough, shark-skin surface holds a film of water that lessens drag and permits it to glide on the water

82748 27-1/2" x 8-1/2"



Rescue Tube

- Tough Ensolite™ foam is coated with heavy vinyl
- 6' poly line and 2" shoulder harness

83750 37" Rescue Tube

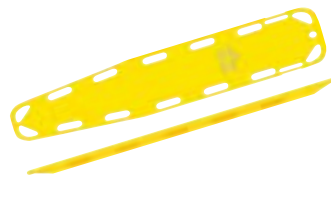
83751 52" Rescue Tube



Head Immobilizer

- Provides secure head immobilization, even in adverse clinical or environmental conditions

82517 Head Immobilizer



Spine Board

- One-piece seamless construction; tapered design
- Made of high-density polymer
- 14 hand-holds and 10 strap slots, 350 lb capacity
- Straps sold separately

82754 Spine Board

82759 Spine Board Straps



510010 Bikini S, M, L, XL, XXL

510000 DBack Red 28 - 42

510014 Womens T-Shirt S, M, L, XL

86977 Long Shorts S, M, L, XL, XXL

510018 Mens T-Shirt M, L, XL



LIFEGUARD STANDS & CHAIRS



Lifeguard Stand

- 30" from pool deck to seat bottom
- Spacious platform and umbrella support
- For temporary or semi-permanent installation
- Features a 38" x 42" x 1-5/8" fiberglass-coated firm platform, stainless-steel frame, non-skid steps and swivel seat

84340 S/O Short



Portable Lifeguard Chair

- Moderate to tall lifeguard chair with an extended platform and umbrella support for temporary or semi-permanent installation
- Made of polished 1.9" OD, 304 stainless-steel thick with a wall thickness of .065"

84342 S/O



Tailwind Lifeguard Chair

LG 500 - Small Chair

30"L x 29"W x 51"H

84380 S/O Small Lifeguard Chair

Tailwind Wheel Kit

Universal for all Tailwind lifeguard chairs

902566 S/O Tailwind Wheel Kit



Vinyl Lifeguard Umbrella

- 6-1/2 ft. Diameter
- Extra sturdy umbrella with manual lift and push button tilt, heavyweight vinyl fabric

84410 S/O Blue/White

84411 S/O Red/White



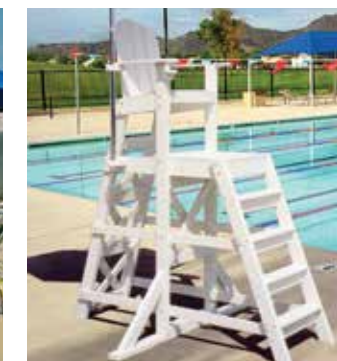
LG 510



LG 515



TLG 530



TLG 535

Tailwind Lifeguard Chairs

- Can be left outdoors year-round
- Manufactured from recycled plastic
- Never needs painting or sanding
- Will not rot, splinter or rust
- Resistant to salt water
- Virtually maintenance free
- Wheel kits and anchor boards available
- Textured surface on steps and platforms
- Chairs have umbrella and cup holders

Lifeguard Chair LG 510

901930 S/O LG 510 41"L x 30"W x 61"H - with a 40" seat

Lifeguard Chair LG 505

901894 S/O LG 505 33"L x 29"W x 51"H - with a 30" seat

Lifeguard Chair LG 515

S/O LG 515 43"L x 30"W x 70"H - with a 50" seat

Medium Lifeguard Chair (side step) MLG 520

901695 S/O 48"L x 59"W x 70"H - with a 50" seat & platform height of 33"

Medium Lifeguard Chair (front ladder) MLG 525

S/O 62"L x 59"W x 70"H - with a 50" seat & platform height of 33"

Tall Lifeguard Chair (side step) TLG 530

S/O 52"L x 59"W x 85"H - with a 64" seat & platform height of 47"

Tall Lifeguard Chair (front ladder) TLG 535

84381 S/O 72"L x 59"W x 85"H - with a 64" seat & platform height of 47"

Also Available in Four Colors

Don't Be Caught Without Your State's Proper Signs!

Most states require general safety signs and, if applicable, state specific signs.

Arizona

24731 AZ Spa Rules 18" x 24"
83851 AZ No Diving 18" x 24"
83852 AZ Pool Rules 18" x 24"

California

24746 CA 2012 Regulation Sign Kit
24747 CA Gate & Diarrhea 12" x 18"
24748 CA Keep Closed 5" x 18"
24749 CA Diarrhea Sign

Florida

82799 FL Pool Rules 24" x 24"
82802 FL Spa Rules 24" x 36"

Georgia

82800 GA Pool Rules 24" x 36"
82792 GA Pool Rules 24" x 36" (part 2)
82793 GA Spa Rules 24" x 36"

Indiana

83836 IN No Lifeguard 24" x 24"
83837 IN Pool Rules A 24" x 24"
83838 IN Pool Rules B 6" x 24"

New Jersey

82774 NJ Spa Rules 18" x 24"
82775 NJ Bathers Rules 18" x 24"

Nevada

82789 NV Spa 10 Minutes 24" x 36"
82790 NV Child 12 Years 24" x 36"
82791 NV Pool Operator 18" x 24"
85836 NV Pool Safety Set 40-1/2" x 48"
85837 NV Spa Safety Set 40-1/2" x 48"

New York

82771 NY Pool Rules 24" x 36"
82776 NY Pool Capacity/Hours 18" x 24"

North Carolina

82798 NC Pool Rules 24" x 36"

South Carolina

82794 SC No Lifeguard 24" x 36"
82795 SC Spa Rules 18" x 24"
82801 SC Pool Rules 24" x 36"

Texas

82767 TX No Diving 12" x 18"
82768 TX Spa rules 18" x 24"
82769 TX Spa Warning 18" x 24"
85838 TX Pool 6-Way Sign 40-1/2" x 48"
85839 TX Spa 6-Way Sign 40-1/2" x 48"

POOL SAFETY SIGNS



International No Diving
82781 18" x 12"



Emergency Shut Off
82783 12" x 9"



Tenants Only
82785 18" x 12"



No Lifeguard On Duty
24740 24" x 18"



Please Shower
83842 18" x 12"



No Food or Beverage
83843 12" x 18"



Pool Capacity
24745 18" x 12"



Spa Capacity
82787 18" x 12"



Pool Closed
82788 18" x 12"



No Running
82784 18" x 12"



Emergency Phone Numbers
82782 18" x 12"



Keep Gate Closed
82786 18" x 12"



Chemical Storage Sticker
24729 12" x 12"



No Glassware
82780 9" x 12"



8-Way Sign
Includes: Spa Caution, Artificial Respiration, No Diving, No Lifeguard on Duty, Pool & Spa Capacity and Pool & Spa Hours and Rules.
85841 40-1/2" x 48"

OTHER SIGNS & STATES AVAILABLE

Call Us for Custom Signs & Signs Not Listed
Call Us for "FREE" Site Inspection!
(in most areas)

POOL SAFETY SIGNS



Emergency 911
24734 12" x 18"



CPR-English
24750 18" x 24"



Shallow Water - No Diving
24736 18" x 24"



Caution No Diving
24727 12" x 18"



Caution Spa Users
24728 18" x 24"



Danger Chemical Storage
24726 18" x 24"



Animated Pool Rules
24725 12" x 18"



Phone Location
24738 12" x 18"



Pool Rules
24730 18" x 24"



Regulations For Public Pools
83844 18" x 24"



Watch Children
83841 12" x 18"



Regulations-Spanish
83847 18" x 24"



Did you know?

SAFETY & GENERAL SIGNS

Most health departments require some type of safety signage and depth markers around the pool. Signs shown are just a sample of the most requested signs by our customers – whatever sign you are looking for, we can get it for you.



CPR-Spanish
83848 Resuscitation





Depth Marker

- Available in ceramic, glass overlay or vinyl stick-ons
- Your choice of "feet", "meters" or "inches"
- Glass overlays are for water-line installation
- Surfaces can be smooth or skid-resistant in the ceramic for in pool or on deck application
- Most metric applications require two tiles, and double digit english markers will also require two tiles. Call and let us help you with your requirements
- Many other sizes and styles of depth markers are available

Let us know what you need and we will get it for you!



Depth Markers

DEPTH	GLASS	Vinyl	Smooth	Non-Skid
0 Ft	85150	85212	85274	85333
1 1/2 Ft	85153	85215	85277	85336
1 Ft	85152	85214	85276	85335
1 1/2 Ft	85153	85215	85277	85336
2 Ft	85154	85216	85278	85337
2 1/2 Ft	85155	85217	85279	85338
3 Ft	85156	85218	85280	85339
3 1/2 Ft	85157	85219	85281	85340
4 Ft	85158	85220	85282	85341
4 1/2 Ft	85159	85221	85283	85342
5 Ft	85160	85222	85284	85343
6 Ft	85162	85224	85286	85345
6 1/2 Ft	85163	85225	85287	85346
7 Ft	85164	85226	85288	85347
7 1/2 Ft	85165	85227	85289	85348
8 Ft	85166	85228	85290	85349
8 1/2 Ft	85167	85229	85291	85350
9 Ft	85168	85230	85292	85351
9 1/2 Ft	85169	85231	85293	85352
No Diving	85208	85271	85332	85376
No Div Symb	85209	85270	85330	85375
No Div (6"x24")	—	85378	—	—
Install Kit Vinyl	—	85273	—	—
Install Kit Glass	85211	—	—	—
Ft	85206	85268	85328	85373
In.	85207	85269	85329	85374
Ft Deep	85210	85272	85331	85337
No Dive (4 tile)	—	—	—	85380
0 M	—	—	—	85264 S/O
1 M	—	—	—	85265 S/O
M	—	—	—	85266 S/O
2 M	—	—	—	85322 S/O
3 M	—	—	—	85323 S/O
4 M	—	—	—	85324 S/O
5 M	—	—	—	85325 S/O
6 M	—	—	—	85326 S/O
7 M	—	—	—	85327 S/O
8 M	—	—	85204 S/O	85204 S/O
9 M	—	—	85205 S/O	85205 S/O
FT	—	—	—	85328 S/O
IN	—	—	—	85329 S/O
.09	—	—	—	85381 S/O
1.2	—	—	—	85382 S/O
1.5	—	—	—	85383 S/O
1.8	—	—	—	85384 S/O



MagnaLatch Side Pull with Lock

When installed correctly it meets Barrier Codes for swimming pools. Always confirm any safety requirements with the appropriate local safety authorities in your area, as regulations may vary from region to region. Solution for all fencing materials.

- Ideal general-purpose, magnetic latch for gates and doors around homes and gardens.
- Suitable for wide variety of uses where key-lockable security is preferred
- Key-lockable security / Peace of mind
- Horizontal & vertical adjustment / Easy installation
- Strong molded polymer and stainless steel construction / No rusting, binding or staining
- Fixing points covered by dress caps / Sleek & stylish finish
- **Limited Lifetime Warranty** 24305



7515

SureClose Kit Closer and Hinge -Aluminum

Designed for Pool and Child Safety gates, Mounting brackets – Aluminum, screw-on and flush mount, Closing speed adjustment, Dual Bearing Glide System™, two sealed bearings for superior performance, anodized high strength aluminum and tamper resistant with hidden hydraulics that don't leak, Emergency override slam will NOT damage closer

- ADA compliant
- Maintenance free
- Self-closing gates weighing up to 90 lbs
- Visibly small footprint
- Prevents gate slam noise and gate damage
- High corrosion resistance
- Tamper-resistant hydraulics.
- **2 Year Warranty** S/O



7525

SureClose Kit Closer and Hinge -Metal

Designed for Pool and Child Safety gates, Mounting brackets – Steel, welded and flush mount, Closing speed adjustment, Dual Bearing Glide System™, two sealed bearings for superior performance, anodized high strength aluminum and tamper resistant with hidden hydraulics that don't leak, Emergency override slam will NOT damage closer.

- ADA compliant
- Maintenance free
- Self-closing gates weighing up to 90 lbs
- Visibly small footprint
- Prevents gate slam noise and gate damage
- High corrosion resistance
- Tamper-resistant hydraulics
- **2 Year Warranty** S/O

Additional MagnaLatch and SureClose items available.

SAFETY ALARM

Area Entry Alarm

- Use outdoors or indoors to protect pool and spa area
- Alarm sounds continuously until pass/reset
- Automatically resumes protection
- Adult pass-through operation
- Simple use and installation 24410



Are you Code Compliant?

New laws are in effect.

Contact us today for help.

- Virginia Graeme Baker Act • CPO
- ADA Laws • And Others

SAFETY LATCH



Magna Latch

- A child-resistant gate latch that is designed to comply with strict international codes
- Includes the ability of the gate to automatically close from any position
- The release knob is located out of reach of toddlers
- When installed with TRU-CLOSE hinges, the Magna Latch is the most reliable and child-resistant gate latch in the world
- Prices vary due to gate and latch type – call or visit store for quote 24300

Hinges

- Offers double the life expectancy of any comparable product in the harshest seaside or desert environments
- Will suit all fence materials including steel, aluminum, wood and vinyl
- 100% rust-free for life and UV stabilized
- 24310 Metal to Metal
- 24312 Wood to Wood

DRAIN COVERS



34012

BEST SELLER**SDX High-Flow Cover**

- Protects against hair and body entrapment
- Retrofits to almost every equalizer cover
- 34028 White
- 34029 S/O Gray
- 34030 S/O Black
- 34031 S/O Taupe
- 34032 S/O Blue
- 34033 S/O Light Blue
- 34034 S/O Beige
- 34035 S/O Light Gray

**Drain Safe DS360M**

- Retrofits most 5 1/2" – 8" sumps
- Works on dual drains as well as single-suction outlets
- 27 sq inch open surface area
- 32841 DS360M White

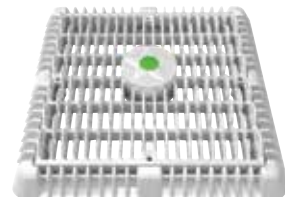
**Hayward Square Covers**

- | | |
|-----------------------|-----------------------|
| LOW FLOW | HIGH FLOW |
| 32300 9" x 9" White | 32306 9" x 9" White |
| 32301 12" x 12" White | 32307 12" x 12" White |
| 32302 18" x 18" White | 32308 18" x 18" White |

**Reminder - Drain cover's expire and must be current.
Need help understanding code compliance?
Let the Professionals at Leslie's help.**

**AquaStar Square Anti-Entrapment Drain Covers w/ Adapter Frames**

- 32780 16" Sq Anti-Entrapment w/Mud Frame - White
- 32781 16" Sq Anti-Entrapment w/Mud Frame - Black
- 32782 16" Sq Anti-Entrapment w/Mud Frame - Lite Grey
- 32784 16" Sq Anti-Entrapment w/Mud Frame - Dark Grey
- 32787 16" Sq Anti-Entrapment w/Mud Frame - Tan

**AquaStar Square Anti-Entrapment Drain Covers w/ Adapter Frames**

- VGB Compliant 2008 ANSI/APSP 16-2011
- 32011 9" WAVE Anti-Entrapment Cover
- 32012 12" WAVE Anti-Entrapment Cover
- 32013 18" WAVE Anti-Entrapment Cover
- 32014 24" WAVE Anti-Entrapment Cover

**Eureka Anti-Entrapment Drain Cover**

Stainless steel, unblockable drain covers enhance the safety main drains and sumps in swimming pools & feature gradually sloped sides & a solid top surface.

- 32990 Eureka AE 20"x20" 12"x12" Drain
- 32991 Eureka AE 26"x26" 18"x18" Drain
- 32992 Eureka AE 32"x32" 24"x24" Drain
- 32993 Eureka AE 44"x44" 36"x36" Drain

**AquaStar 4" Round Hockey Puck Sumpless Suction Outlet Cover**

- For single or multiple drain use in gunite pools and spas
- Single - sumpless
- Floor/wall: 56 GPM at 3.5 fps
- Floor/wall: 24.4 GPM at 1.5 fps
- Floor/wall: 16.2 GPM at 1.0 fps
- 5.2 square inch opening
- S/O 4" Round Cover - Blue

Other Sizes and Colors Available

**AquaStar 6" Round Hockey Puck Sumpless Suction Outlet Cover**

- For single or multiple drain use in gunite, steel, fiberglass and tile pools and spas
- Single - sumpless
- Floor/wall (2" pipe): 224 GPM at 6.3 fps
- Floor (1 1/2" pipe): 177 GPM at 5.9 fps
- Wall (1 1/2" pipe): 122 GPM at 3.4 fps
- Floor/wall: 53.3 GPM at 1.5 fps
- Floor/wall: 35.5 GPM at 1.0 fps
- 10.4 square inch opening
- S/O 6" Round Cover - Blue

Other Sizes and Colors Available

**AquaStar 8" Round MoFlow™ Suction Outlet Cover And Mud Frame**

- For single or multiple drain use 3" sump depth
- Single -
- Floor: 166 GPM at 3.2 fps
- Wall: 113 GPM at 2.2 fps
- Floor/wall: 77.8 GPM at 1.5 fps
- Floor/wall: 51.9 GPM at 1.0 fps
- 16.6 square inch opening
- S/O 8" Round Cover

Other Sizes and Colors Available

**AquaStar 10" Round Star Sumpless Suction Outlet Cover, Universal Adapter Kit & Mud Frame**

- For single or multiple drain use
- Single - sump less:
- For retrofit or new construction!
- Available with mud frame for new construction or with universal adapter frame to retrofit all existing frames/sumps up to 10" round
- Can be used with Brass Anchor Kit p/n BIK4 for odd-sized or non-structured frames/sump
- S/O 10" Round Cover

Other Sizes and Colors Available

SAFETY VACUUM RELEASE SYSTEMS

**Vacless SVRS 10-ADJ**

- Attaches to swimming pool, wading pool, spa & hot tub pumps ranging between 0.5 hp & 10 hp; in place of any suction side drain plug
- Upon entrapment, the valve will open, allowing ambient air to rapidly fill the pump suction side
- 83875

**Vac Alert Valve**

- Reacts in milliseconds
- Senses sudden increases in vacuum, triggers valve pistons to lock allowing air to enter the system releasing vacuum on the main drain
- Easily installed in new or existing pools or spas and requires no maintenance
- 15130

EMERGENCY & SAFETY

**Emergency Shut-Off System**

- Designed to retrofit public spas to meet current safety codes
- Alarm to indicate shut-off has been pressed
- Low voltage wiring to shut-off switch and jets switch
- 600858 Emergency Shut-Off System

**Main Drain Test Mat**

- Covers main drain to allow periodic testing of an SVRS device
- Connects to the telescopic pole
- 32000 S/O Main Drain Test Mat

EQUIPMENT

**EcoStar VS+SVRS Pump**

- Hayward's most efficient pump at any speed
- Save up to 90% on your energy costs
- Integrated programmable controller w/24hr clock
- 40010 Variable Speed

**IntelliFlo VS+SVRS Pump**

- Pump complies with the Virginia Graeme Baker Pool & Spa Safety Act.
- Meets ASME A112.19.17.2002 standards
- 40023 S/O Variable Speed Pump from 1100 to 3450 RPMs

For more info
See page
42

The Virginia Graeme Baker Pool and Spa Safety Act

The purpose of the Virginia Graeme Baker Pool and Spa Safety Act is to increase the safety of swimming pools and spas.

Public Pool Requirements

Effective one year after the date of enactment, each public pool and spa must be equipped with anti-entrapment drain covers. Each public pool and spa with a single main drain (other than an unblockable drain) must also be equipped with a device or system designed to prevent entrapment, such as a safety vacuum release system. Public pools and spas are open to the public generally (whether for a fee or free of charge): open exclusively to members of an organization and their guests, residents of an apartment building; or operated by the federal government.

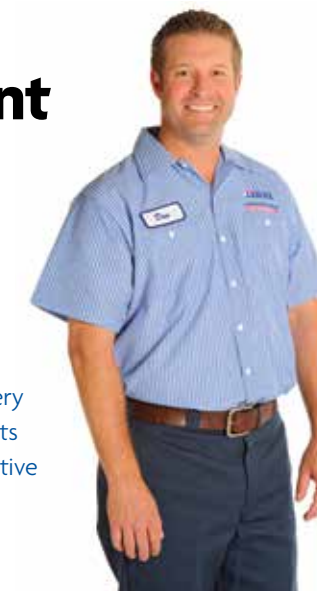
Compliance Date:
December 19, 2008

Contact your commercial account executive today to see if your covers are compliant

Customer Commitment

Pledge to Our Customers

- 100% Order Fill Rate, 100% of the Time
- Same Day **FREE** Delivery on Orders Placed by 10 a.m. or Guaranteed Next Day Delivery
- Installation and Repair Experts
- Same Day Support/Competitive Pricing Guaranteed!
- **FREE** On Site Training





PAL 2 Portable Pool Lift

- 300 lb lifting capacity
- Completely portable – no fixtures and easy to move
- 240° Rotation ensures safe transfer
- Powered by a 24-volt rechargeable battery
- Lift Operator intelligent waterproof hand control
- ADA Compliant
- Secure-It Kit so it can be fixed to the deck

501368 S/O PAL 2 Portable Lift
 501365 S/O PAL 2 Lift Keyed
 501366 S/O PAL 2 Lift with Armrest
 501367 S/O PAL 2 Lift with Armrest and Keyed

ADA Compliant



Splash Lift

- 400 lb lifting capacity
- 359° rotation ensures a safe transfer
- Semi-portable – easily removable from anchor
- Powered by a rechargeable battery
- User-operable via waterproof hand control

501304 S/O Splash Lift
 501305 S/O Splash Hi/Lo
 501306 S/O Splash Extended Reach
 501307 S/O Splash Spa Lift
 501319 S/O Splash W/ Armrest Pkg



S.R. SMITH ACCESSORIES

Splash/aXs Sq Deck Anchor
 501308
aXs Anchor
 501312

Splash Lift Battery

- 24 volt rechargeable battery for use with all SR Smith battery operated lifts

502224 Rechargeable battery



Battery 502224

Battery Charger
 501314
Pal Total Cover
 501328
Splash Total Cover
 501329
Splash Caddy
 501330



Splash Caddy 501330



aXs2 Pool Lift

The aXs2 is a low profile pool lift that is an ideal access solution for community and hospitality swimming pools. The aXs2 lift meets the Americans with Disabilities Act Access Guidelines (ADAAG 2010) and has a 300 lbs lifting capacity. The aXs2 lift installs into your pool deck via locking anchor. 360° rotation ensures a safe transfer area.

- 360° rotation for transfer safety and flexibility
- Compact design requires minimal deck space
- Third-party tested & verified ADA compliant
- Integrated armrests
- Sturdy and generous rotomolded seat
- LiftOperator® Intelligent Controller with 24V battery
- Full range of operation from handset and control box
- Powder-coated stainless steel and aluminum construction
- Specifications: 300 lbs lifting capacity. Powered by a 24-volt rechargeable battery
- Powder coated stainless steel and aluminum
- Shipping Dimensions: For model 310-0000 (aXs2 w/ anchor)
 Box 1: 102 lbs 55" x 19" x 14" Box 2: 36 lbs 24" x 24" x 27"

905774 aXs2 Pool Lift

Compliance deadline was 1.31.13 Is your facility Compliant?
 Call us for a FREE site evaluation

S.R. SMITH ACCESSORIES

SR Smith Lift Arm Rests

- Optional, flip-up armrests for all SR Smith Lifts

501316 Arm Rests
aXs Seat Belt Assembly
 501333
aXs Armrest Assembly
 501334



Arm Rests 501316

Many More Accessories Available, Call us 1.800.LESLIES



Call 1-800-LESLIES for Lifts and Accessories

aXs Lift Total Cover
 501991
Multi Lift Total Cover
 501349

Lockable Covers Available



Covers



ADA Compliant

Freedom Plus Lift with Mobile Anchor Transport Evolution (MATE)

- Maximum 350 lb lift capacity, when used with any lift
 - Small footprint when used with a lift for clear deck space zone required by ADA guideline 15.8.5.3
 - Lift rotates back over the MATE reducing storage space
- 502152 S/O



Freedom Plus Lift

- Meets the accessibility standards of the National Center for a Barrier Free Environment
 - Can be used by the elderly, the handicapped and the physically impaired
 - Easy to install and remove – folds for storage
- 42570 S/O



ADA Compliant

Traveler Lift

- 500 lb lifting capacity
 - 360° continuous powered rotation
 - Standard adjustable padded headrest
 - Easy to remove and store using Transport Cart
 - Only stainless steel gears and fully sealed bearings in the industry – less risk of corrosion and impervious to water siege
 - Safe operating system with rechargeable battery and charger
- S/O Traveler Pool Lift



ADA Compliant

Gallatin Water Power Lift

- 400 lb lifting capacity
 - Large diameter cylinder and piston designed specifically to provide greater and quicker lifting
 - Seat has excellent lumbar support and material will not disintegrate or crack over time
 - Durable Low Density Polyethylene footrest with non-slip surface for safety and comfort
 - Base stand has built in wheels for portability
 - Base stand adjustability up to 4" of deck slope
- S/O Gallatin Water Power Lift



Lolo WP400 Lift

- 400 lb lifting capacity
 - Passivated stainless steel - no dissimilar metals
 - Dual point anchor
 - Large diameter cylinder and piston designed specifically to provide greater and quicker lifting capacity
 - Adjustable padded headrest for full support
 - Large spacious seat designed for ease of transfer
- S/O Lolo WP400 Lift

SPECTRUM ACCESSORIES

Spectrum Battery 502140 Remote 502141	Cover 502142 Surface Mount Anchor S/O	Wood Deck Anchor S/O Transport Cart S/O	Deck Anchor 502147
---	--	--	------------------------------



For the Closest Location Visit LesliesPool.com/stores or Call 1.800.LESLIES (537.5437) option 4



ADA Compliant

Ranger™ Pool Lift

- Independently verified by Wyle Labs to meet ADA standards
 - 350 lb (159 kg) weight capacity
 - Setback range of 14"-19"
 - 2-Year pro-rated electronics warranty
 - 5-Year structural warranty
- 502112 S/O Ranger Pool Lift without Anchor



Scout 2™ Pool and Spa Lift

- Independently verified by Wyle Labs to meet ADA standards
 - 350 lb (159 kg) weight capacity with 360° rotation
 - Can be adapted to most existing 6" deep anchors
 - Hi-Lift version clears walls up to 28" high
 - 5-Year pro-rated electronics warranty
 - 5-Year structural warranty
- 502137 S/O Scout 2 Lift without Anchor



ADA Compliant

Patriot™ Portable Pool Lift

- Independently verified by Wyle Labs to meet ADA standards with fixing kit (included)
 - 450 lb (204 kg) weight capacity
 - Portable with 2 counterweight options
 - 5-Year pro-rated electronics warranty
 - 5-Year structural warranty
- 84196 S/O Patriot Portable Pool Lift



ADA Compliant

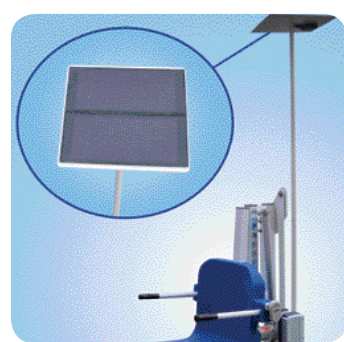
Spa Lift Elite

- Saves labor, saves energy and extends your battery's life
 - 300 lb (136 kg) weight capacity
 - Wall clearances up to 68" high, 22" wide
 - 5-Year structural warranty
 - 5-Year pro-rated electronics warranty
- S/O F-0065LE



Revolution Lift

- 500 lbs (227 kg) weight capacity!
 - All stainless steel construction with durable epoxy powder coating
 - Dual flip-up arms, adjustable lap belt and removable & adjustable foot rest
 - Full 360° powered rotation
 - Set back ranges from 10" to 40"
 - 5-Year structural warranty
- 502115 S/O Revolution Lift without Anchor



Solar Charger Pro

- No need to remove and recharge batteries at the end of the day
 - Extends the life of your battery with constant low voltage charge
- S/O F-043SCH
S/O F-044SCH
S/O F-045SCH

AQUA CREEK ACCESSORIES

Ranger/Pro Pool Transfer Cart 502106 Scout Anchor Adapter Sleeves 502166 OD 2.490" 502167 OD 2.036" 502168 OD 2.750"	Ranger/Pro Pool Anchor 502185 Scout Standard Anchor 502134 Pro Pool Wood Deck Anchor 502109 Revolution Anchor 502117	Ranger/Pro Pool Cover 502110 Patriot/Pro Pool XR Cover 502113 Scout Cover 502132	Aqua Creek Lift Battery • 24V rechargeable battery for use with all Aqua Creek battery operated lifts 84198 Rechargeable battery
---	---	--	---

Additional Accessories Available

Order online at LesliesPool.com or by phone at 1.800.LESLIES (537.5437) option 3

ACCESS CHAIRS



Pool Access Chairs

- Medical grade PVC construction
- Stainless steel hardware
- EZ clean twin wheel casters
- Anti-tip design
- Swing-out armrest for lateral transfers
- One year warranty
- Available in a variety of sizes

F-520SPPS Pool Access Chair with plastic seat 300 lbs 18" Wide Seat
 F-520WSPPS Pool Access Chair with plastic seat 350 lbs 21" Wide Seat
 F-520SPM Pool Access Chair with mesh seat 300 lbs 18" Wide Seat
 F-520WSPM Pool Access Chair with mesh seat 350 lbs 21" Wide Seat
 F-520XWSPM Pool Access Chair with mesh seat 425 lbs 21" Wide Seat

SR Smith Aquatic Chairs

Mobile Aquatic Chairs (MAC) are essential for facilities utilizing a ramp, zero-depth entry or movable floor. The MAC is built specifically for use in aquatic environments with a powder coated stainless steel frame to resist corrosion and a swing away arm for easy transfer. The rigid roto-molded plastic seat aids in user transfer by providing a stable platform that can be used for transfer support. Front and rear stabilizer wheels eliminate the tendency of a chair to pitch forward or back while going down the ramp. 300 lbs weight capacity. Powder-coated stainless steel. Seat is 18" wide
 Shipping Dimensions:
 60 lbs 43"L x 25"W x 22"H



S/O SR Smith Aquatic Chairs

Aqua Creek Beach Access Chair

The Beach Access chair is a sturdy, lightweight, all-terrain wheelchair allowing for easy access in sand, snow, and other soft soils. Balloon flotation tires give these chairs extra stability making them resistant to tipping. Each chair is made from durable PVC with non-corrosive, puncture resistant wheels. The high quality UV protected PVC frame is made to withstand the salt water. It won't chip, peel, rust fade or discolor. Each chair disassembles and ships in 2 boxes (box 1=wheels & axle and box 2=chair) for easy transport, with the use of quick release pins.

- 300 lbs (136 kg) weight capacity
- Stainless steel hardware
- Anti-tip design with single motion dual parking brakes
- 6 ft (1.8 mtr) 8 panel umbrella
- Adjustable safety belt, cushion seat and storage bag included
- One year warranty



S/O Beach Access Chair with 4 Large Wheels & Umbrella

S/O Beach Access Chair with 4 Large Wheels & Umbrella

 **Americans with Disabilities Act**

The final revisions to the Americans with Disabilities Act Accessibility Guidelines (ADAAG) pertaining to public swimming pools, wading pools and spas were signed in July of 2010. The new rules took effect March 15, 2011 and the **Compliance deadline was January 31, 2013.**

What is the Americans with Disabilities Act (ADA)?

The Americans with Disabilities Act (ADA) is a comprehensive civil rights law that prohibits discrimination on the basis of disability. The ADA requires that newly constructed and altered state and local government facilities, places of public accommodation, and commercial facilities are readily accessible to, and usable by, individuals with disabilities. The pool owner/manager should seek expert legal advice to ensure compliance.

How does it apply to swimming pools, wading pools and spas?

The facility must provide accessible means of entry/exit swimming pools. Such accessible means of entry include a pool lift or sloped entry, and either a transfer wall, transfer system, or pool stairs. Wading pools must provide a sloped entry, and spas must provide a pool lift, transfer wall, or transfer system. Wave action pools, leisure rivers, and sand bottom pools where user access is limited to one area shall not be required to provide more than one accessible means of entry, either a pool lift, sloped entry, or a transfer system.

Which facilities need to comply?

All municipal and school board pools, along with all hotels, motels, private water parks, competition facilities, etc. must comply with ADA guidelines. This includes pools operated by public park and recreation districts, hotels and motels, country clubs, high schools and universities, fitness and recreational sports clubs, water parks, hospitals and health care facilities. There are some exceptions. Apartments and private condos are considered residences and are exempt from complying with the ADA. These types of facilities fall under Fair Housing regulations. However, condos that rent out their units are considered hotels and, therefore, would be required to comply with ADA regulations.

How can a facility comply?

There are many alternatives, but the simplest way to comply is by installing a verified ADA Compliant lift Leslie's offers the only three independently verified ADA Compliant Lifts on the market.

How will these requirements be enforced?

Enforcement will vary from state to state, but does not change the fact that this is the law. Direct action against noncompliant facilities may be taken by local building or health officials enforcing state or health building codes that reference the new guidelines. Individuals may also file civil lawsuits against noncompliant facilities. Indirect enforcement can occur when a local government becomes ineligible for a federal grant unless facilities are in compliance.

SAFETY COVERS



Mesh Safety Covers

- Tough UV-inhibiting, 100% polypropylene fabric
 - Long-lasting, resists tearing, rotting and stretching
 - Break strength of over 4,000 lbs
 - Sturdy, stainless-steel and brass-anchoring system won't rust or corrode
 - Lightweight, easy to install, can be removed in minutes
 - **10-Year warranty, 2-Year full and 8-Year pro-rated**
- 70400 S/O Mesh 16' x 32' w/3' x 6' Center Steps
 70503 S/O Mesh 12' x 24'
 70504 S/O Mesh 14' x 28'
 70506 S/O Mesh 15' x 30'
 70509 S/O Mesh 16' x 32'
 70510 S/O Mesh 16' x 34'
 70511 S/O Mesh 16' x 36'
 70512 S/O Mesh 16' x 38'

Meets the ASME/ANSI A112.19.17-2002 testing standards



Many Other Sizes Available

Solid Safety Covers

- Tough UV-inhibiting, 100% polypropylene fabric
 - Long lasting, resists tearing, rotting and stretching
 - Break strength of over 4,000 lbs
 - Built with either a mesh drain panel or automatic pump to rid the cover of excess water
 - Screens out leaves and debris without letting sun pass through
 - Protects children, pets and stray animals
 - **10-Year warranty, 2-Year full and 8-Years pro-rated**
- 70437 S/O Solid 12' x 24'
 70438 S/O Solid 14' x 28'
 70439 S/O Solid 15' x 30'
 70440 S/O Solid 16' x 32'
 70441 S/O Solid 16' x 34'
 70442 S/O Solid 16' x 36'

Meets the ASME/ANSI A112.19.17-2002 testing standards



Many Other Sizes Available

Safety Cover Systems To Fit Your Specific Needs
We Offer Standard Covers & Custom Covers

Stop by one of our 900 Stores or Contact a Leslie's Commercial Account Executive for more information and installation programs.

Or call our Customer Service Department at **1-800-LESLIES** or visit **LesliesPool.com**. We will answer your questions and provide you with a measuring form.



SAFETY COVERS



12-YEAR WARRANTY

Meets the ASME/
ANSI A112.19.17-2002
testing standardsProtection
from the
Elements too!

12-YEAR WARRANTY

Meets the ASME/
ANSI A112.19.17-2002
testing standards**Pro Mesh Safety Cover**

- Light weight – nearly 50% lighter than standard solid covers. Makes for easier installation, removal and storage
 - Super strong with improved tear and abrasion resistance. Great for commercial or residential use
 - Offers 99% shading and significantly reduces the amount of sunlight entering the pool. Reduced sunlight means less algae growth
 - Special weave allows water to drain through the cover while filtering large and small debris
 - Comes standard with pull-tite commercial grade springs
 - **12-Year pro-rated warranty**
 - Available in blue or green
- S/O Call for estimate

Hyperlite Safety Cover

- 50% more tensile strength – significantly improved load capabilities
 - 50% more puncture resistant – improved resistance to damage and puncturing from falling tree branches, deer hooves & stray animals
 - 100% sunlight blockage – no spring time algae growth
 - Patented klean-screen drain – drains water from surface – filtering out dirt, leaves & debris
 - PVC coated polyester fabric is 30% lighter than standard solid covers
 - Comes standard with pull-tite commercial grade springs
 - Meets or exceeds safety cover performance standards as set forth in ASTM F 1346-91
 - **12-Year pro-rated warranty**
 - Available in green
- S/O Call for estimate

We Offer Standard Covers and Custom Covers

SUMP & COVER PUMPS

**1800 GPH 1/3 HP Automatic Switch**

- Powerful hp – much more than typical 1/8 or 1/6 hp
 - 25' Power cord is very convenient
 - Removable base is versatile for other pumping application needs
 - Connects to standard garden hose connections
- 40885 - SunRunner SUNC3000

**1500 GPH 1/6 HP Manual Operation**

- Versatile for other pumping application needs (hot tubs, etc)
 - 25' cord is very convenient
 - Top vertical discharge
 - Connects to standard garden hose connections
- 40882 - SunRunner SUNC1200

**350 GPH Auto Pool Cover Pump**

- Connects to standard garden hose
 - Auto/On Feature
 - 25' Cord Length
 - 350 GPH
- 40881 - SunRunner SUN350A

SAFETY COVER PARTS

**Replacement Parts**

- 70542 Brass anchor
- 70543 Anchor collar
- 70545 Install rod for safety cover
- 70546 Buckle
- 70547 Spring – single

- 70552 Spring sleeve – single
- 70553 Spring sleeve – double
- 70557 Storage bag – green



Installation available
in most areas

HEAT RETENTION COVERS



Great for Pools and Spas

Commercial Thermal Blankets

- Save money by reducing heat loss, chemical usage and maintenance
 - The Thermal-King Series blanket has a blue 3 mil. UV stabilized surface, 1/8" closed-cell volara foam in the center, and is fabricated with a top and bottom layer of 12 x 12 thread count per inch
 - Specification sheets available
 - Cut-outs and rounded corners available
 - Wind edging included
- S/O This is NOT a safety cover. Cover will NOT support weight.

1.800.LESLIES
Call Us for an Estimate

WINTER COVERS



12-YEAR WARRANTY

GOOD

Deluxe Winter Cover

- Triple-layered polyethylene material resists acids, salt, alkalis and mildew
 - Heat sealed seams
 - Triple reinforced borders
 - Made with some of the best polyethylene resins for longer life
 - Withstands cold weather to -40° Fahrenheit
- 501418 12' x 24'
501419 15' x 30'
501420 16' x 32' *Many Other Sizes Available*



15-YEAR WARRANTY

BETTER

Steel Guard Winter Cover

- Rip-proof technology from an advanced interlock weave manufacturing process
 - You can see and feel the difference
 - Hi-tech lightweight material
 - Full 5' overlap
 - Black and light-proof underside resists algae growth
 - Edges reinforced with super strength polypropylene binding
- 501439 16' x 32'
501440 18' x 36'
501441 20' x 40'
501442 25' x 45'
501443 30' x 50' *Many Other Sizes Available*



15-YEAR WARRANTY

BEST

Tan Winter Cover

- Higher tear and puncture resistance
 - Superior seam strength
 - Water Bag loops every 40"
 - Attractive tan color, blue underside to prohibit algae growth
- 70104 S/O 18' x 36'
70106 S/O 20' x 40'
70107 S/O 20' x 44'
70108 S/O 20' x 50'
70113 S/O 25' x 55' *Many Other Sizes Available*



8-YEAR WARRANTY

Economy Winter Cover

- Heat sealed seams
 - No-rip grommets every 4'
 - Triple reinforced borders
- 70176 12' x 24' *Many Other Sizes Available*

COMMERCIAL REEL

**Thermal Blanket Storage Reels**

- Each tube will hold a cover 150' long
 - Main tubes are 4" schedule 10 stainless-steel
 - End frames are 1-1/4" schedule 40 stainless-steel
 - UHMW polyolefin bearings with stainless-steel housing adjusts tension for the main tubes
 - Brake is a canted lever with a 7 sq in. polyolefin surface
 - **10-year warranty on reel and 1-year warranty on casters**
- S/O Double Reel 16' for 15' cover
S/O Double Reel 19' for 18' cover
S/O Double Reel 21' for 20' cover
S/O Triple Reel 16' for 15' cover
S/O Triple Reel 19' for 18' cover
S/O Triple Reel 21' for 20' cover



HEATERS



Heaters
Starting on
Page
54

LIQUID SOLAR COVERS



Trade Grade Liquid Cover

- Replaces CoverFree Commercial AF
- Liquid solar blanket:
 - Great addition for indoor pools to help air quality
 - Reduces water loss due to evaporation barrier
 - Reduces heat loss and chemical consumption

12319 1 gal
12320 5 gal



Save Water, Heat and Money!

Leslie's Cover Weekly

- Saves Water
- Saves Heat
- Saves Money
- Conserve 100's of gallons of water
- **Reduces evaporation up to 85%**
- **Reduces heat loss as much as 70%**

70715 32 oz

PHOSPHATE REMOVER



Pool Magic + PHOSfree

- Highly concentrated enzymes blended with PHOSfree phosphate remover
- Treats 25,000 gal
- No algae, no "bathtub ring" no hassle!

14141 1 ltr

ANTI-WAVE LINES



Racing Lane Lines

AntiWave's racing lanes use hydromatic propulsion to disperse the waves along the lane line then down to stop all momentum, creating tranquil water. Ships assembled and complete with an "S" hook on one end and a Supertensioner™ on the other.

- S/O 4.75" Forerunner Lane Lines
- S/O 6" Maximum Lane Lines

4.75" FORERUNNER LANE LINES	6" MAXIMUM LANE LINES
60 FT LINE	60 FT LINE
75 FT LINE	75 FT LINE
25M LINE	25M LINE
50M LINE	50M LINE
50M LINE WITH 1 DISCONNECT	50M LINE WITH 1 DISCONNECT
50M LINE WITH 2 DISCONNECTS	50M LINE WITH 2 DISCONNECTS
CUSTOM LENGTH BY FOOT	DISCONNECTS CUSTOM LENGTH BY FOOT

Blue	Red	Green	Yellow	Orange
Navy	Teal	Grey	Purple	Dark Blue
Maroon	Pink	North Carolina Blue	Black	White
Metallic Gold	Metallic Silver			



Competitor Racing Lane Lines

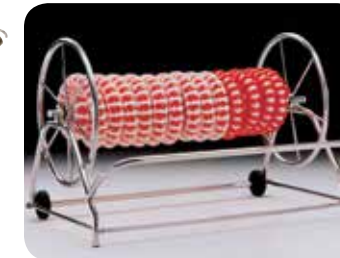
Designed for optimum control of the water surface, our patented flow thru design allows the waves to be dispersed along the channel of revolving disks.

- S/O 4" Competitor Lane Lines
- S/O 6" Competitor Gold Medal Lane Lines

4" COMPETITOR LANE LINES	6" COMPETITOR GOLD LANE LINES
60 FT LINE	60 FT LINE
75 FT LANE	60 FT LANE
25M LANE	75 FT LANE
50M LANE	25M LANE
25M DISC TO 1-75' LANE	50M LANE
50M DISC TO 2-75' LANES	25M DISC TO 1-75' LANE
50M DISC TO 1-75' LANE	50M DISC TO 2-75' LANE
50M DISC TO 1-75' LANE AND 1-25M LANE	50M DISC TO 1-75' LANE AND 1-25M LANE
4" CUSTOM LANE LINES (PER FOOT)	6" CUSTOM LANE LINES (PER FOOT)
HARDWARE KIT FOR CUSTOM LINES	-

Vegas Gold 871C	Green 340C	Sky Blue 542C	Blue 3005U	Navy 648C
Purple Violet U	Gray 424C	White	Black Black C	Red 186C
Maroon 7622C	Orange 021	Yellow 108C		

STORAGE REEL



Lane Line Storage

- Stainless-steel lane line storage reel for maximum corrosion resistance
- Reels can store up to 500' of lanes (6 x 25 yd/mtr or 3 x 50 yd/mtr)

84861 S/O Lane Line Storage Reel
84862 Lane Line Cover



COMMERCIAL REEL



Storm Commercial Reel

- T-Base design for exceptional stability
- Height adjustable to 30"
- Includes all straps and hardware
- Sturdy anodized aluminum tube kits

85616 20' Reel w/4" Tubes
85618 24' Reel w/4" Tubes
85619 24' Reel w/5" Tubes

ANTIFREEZE



Antifreeze

- Protect your plumbing
- 1 gal for every 10" of pipe
- Non-Toxic & safe for all pool surfaces
- Protects to -50° Fahrenheit

72650 1 gal

WINTER PILL



Winter Pill

- Easy-to-Use, Floats in the Pool, Under the Cover, all winter Long
- Makes Spring Openings Faster & Easier

72660 Winter Pill

KITS



Opening/Closing Kits

- For pools up to 20,000 gal
- Simply the best kit on the market
- Contains all the chemicals needed to either open or close your pool

14815 Above-Ground (10,000 gal)
14819 Standard (10,000 gal)
14832 Deluxe (20,000 gal)

ACCESSORIES



Leaf Cover

- Lay across existing pool cover for easy removal of leaves
- Features a virtually indestructible weave

70208 Leaf Cover 16' x 32'
70210 Leaf Cover 18' x 36'
70209 Leaf Cover 18' round
70216 Leaf Cover 24' round

Many Other Sizes Available



Skimguard

- Allows for the natural expansion of ice inside the skimmer

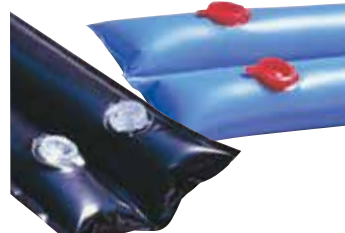
72085 9"
72086 16"

Winterizing Plugs

- Seals plumbing lines against freezing

68950 1"

Price is for 1" plug, other sizes are available



Other Sizes Available

Leak-proof 1.5" Roberts' valves

Water Tubes

- Made of heavy-duty 20 gauge vinyl
- UV inhibitors, anti-bacterial/anti-fungal

72926 8' Single Black
72933 8' Double Black
72929 10' Single Black
72936 10' Double Black
72918 8' Double Blue
72920 10' Double Blue

Other Accessories Online



Winter Cover Blocks

- Takes the place of water bags in harsh winter environments
- Stable design to prevent slippage
- Four times thicker than regular water bags
- Each section is 3' long
- **5-Year warranty**

72939 3' Long

FLAGS



Economy Flags

- 24, 12" X 18" plastic flags on a 50' nylon cord

86010 S/O 50' Multicolored
86020 S/O 50' Red/White
86030 S/O 50' Blue/White/Red
86040 S/O 50' Red/Yellow



Premium Flags

- Constructed of cross-blended nylon
- Flags measure 12" X 18" & meet all FINA, NCAA & USS regulations
- Additional cost for lettering

86222 S/O Nylon cord per ft
84830 S/O Red 84831 S/O White
84832 S/O Blue 84833 S/O Green
84834 S/O Yellow 84835 S/O Navy

CLOCKS AND THERMOMETERS



Clock or Thermometer

- Designed for outdoor use
- Weather-resistant pairs have large hands and numbers, so you can see the time and temperature at a glance – 12" diameter face

78719 Thermometer
78720 Clock

Commercial Clock/Thermometer

- 18" metal dial
- Commercial grade

77032

Competitive Pace Clocks

- Made from durable materials
- Available in three sizes 15", 31" or 37" and two face-color options

S/O

SAFETY FLOOR TILES



DriDek Floor Tiles

- Control the growth of mildew, mold and bacteria
- Bonded with a fungicide called oxy-B1
- Can be trimmed to any shape
- Specify color – Almond, Yellow, Red, Black, Burgundy, Navy Blue, Pool Blue, Green, Hunter Green, Teal and Gray

86270 S/O Case of 50 – 12" x 12"
86280 S/O Sheet 3' x 4'
86290 S/O Roll 3' x 12'
86300 S/O Corners
86310 S/O Edging 2" x 12"

AQUATIC FITNESS KIT



Aquatic Flotation Belt

- Ergonomically designed EVA Foam construction for soft, comfortable use
- Designed to fit various body types with an adjustable belt and clip system
- For use during aquatic fitness workout routines

76931 3 Piece Set (Belt, Dumbbells, Gloves)



Aquatic Resistance Dumbbells

- EVA Foam is lightweight, buoyant, and provides superior resistance
- Easy to hold soft grips for long workouts
- Improves upper body strength while maximizing flotation support
- Closed cell construction is chlorine-resistant & flexible

76931 3 Piece Set (Belt, Dumbbells, Gloves)



Aquatic Resistance Gloves

- Webbed neoprene glove provides optimum water resistance during swim stroke
- Rubberized palm provides grip on wet surfaces
- Wrist closure for easy adjustment & comfortable, secure fit
- For swim training and aquatic aerobics
- New pattern designed to minimize material use and maintain functionality of glove

76931 3 Piece Set (Belt, Dumbbells, Gloves)

FOAM FLOATS



SunWave 1.5" Foam Float

- Comfortable Design
- Durable Vinyl Coated Foam
- Easy-To-Clean
- Fade- Resistant
- Roll Pillow for Extra Buoyancy
- 70" L x 20" W x 1.5" Thick

76936 Bronze
76937 Marina Blue



SunWave 2" Smooth Foam Float

- Extra Thick for Buoyancy
- Comfortable Honeycomb Design
- Durable Vinyl Coated Foam
- Easy-To-Clean
- Fade- Resistant
- Roll Pillow for Extra Buoyancy
- 72" L x 25" W x 2" Thick

77296 Bahama Blue



Bronze Softie Lounge

- Contoured headrest
- Generous buoyant armrests
- Attractive palm tree design
- Glossy vinyl finish
- Sturdy internal frame

76879 Bronze Lounge



Made in USA

Monterey Float

- Made from soft aqua sell foam
- Gently conforms to shape of your body
- Head and neck rest
- UV resistant, latex free
- Unaffected by chlorine
- 72" L

78581 Monterey

KICKBOARD



EVA Kickboard

- Perfect for exercising at the pool or beach
- Customized shape with side handgrips

78579

SWIM GOGGLES



TYR Swim Goggles

- Durable, hypoallergenic silicone gaskets
- Polycarbonate lenses with anti-fog & UAV/UAB protection

79520 TYR Team Sprint Clear
70058 TYR Blue Kids Swimple
70046 TYR Tie Dye Grn/Org Kids Swimple
70048 TYR Tie Dye Big Swimple Yw/Org
79652 TYR Big Swimple Smoke (Shown)

TRAINING PLATFORM



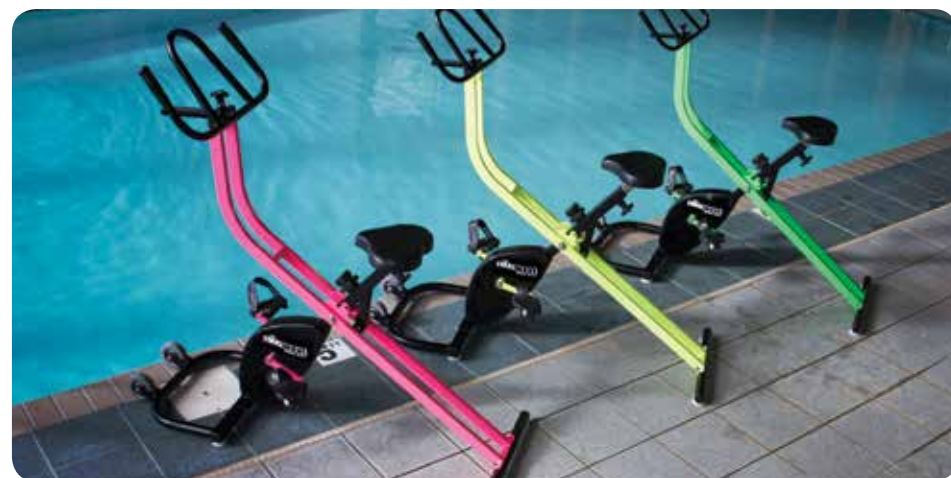
Swim Training Platform

- 300 lb (136 kg) weight capacity
- 36" x 60" grated decking platform
- Removable side rails
- Adjustable height legs from 16" to 21"

S/O Swim Training Platform

S/O Extended legs option for 18"-24" height

AQUATIC EXERCISE BIKES



TidalWave Bike

- Multiple levels of resistance with adjustable seat. Recumbent and Sport seat option
- Collapsible for storage & hanging. Weighs on 40 lbs
- Three year warranty on frame, one year warranty on parts & transmission
- Stainless steel construction with durable powder coat finish
- 300 lbs (136 kg) weight capacity

S/O F-ACTPB

STANDARD COLORS:



NON-STANDARD COLORS:
*on orders of 10 or more



POOL ELLIPTICAL



Elly Pool Elliptical

- Easy to move, scratch resistant wheels
- Wide PVC pedals ideal for bare feet
- Adjustable ergonomic handles
- Arm blades add resistance
- Suitable for all pool finishes

S/O Elly Pool Elliptical

SLIDES



Double Flume Water Slide, Right Stair

The slide structure is made entirely of stainless steel for corrosion resistance and visual appeal with a heavy duty root-molded flume. The rationally molded flumes are available in a wide selection of colors. As an additional safety feature, the stairs feature a self-closing gate to deter unauthorized use. Spectrum Aquatics' wide variety of flume and stair configurations makes the slide line compatible with a variety of deck styles.

- Flume Options: 2 flumes
- Flume Length: 10'
- Tower Height: 8'
- Minimum Water Depth: 3'
- Flow Rate: 5 gpm
- Non-slip deck and step treads
- Deck Size: 6' L x 6' W x 4' 8" H
- Top platform and steps offer visibility to lifeguards and users with UV stabilized, clear polycarbonate viewing windows
- Structure fabricated of 304L passivated stainless steel to withstand harsh aquatic environments
- Plumb directly into pool water system or hook up with garden hose
- Available in Standard Colors of Yellow, Red, Purple, Blue, Sky Blue, Lime Green, Brown and Beige
- Available in Eco Colors Meadow, Earth, and Stone

133423 Double Flume Water Slide



Vortex Water Slides

This multi-market, open- or closed-flume slide is available with a ladder or a spiral staircase - you decide! The flexibility of this slide is perfect for commercial or high-end residential applications. The high-volume water delivery system gives you up to 30 gallons of water per minute.

S/O Vortex Slide - Open-flume
S/O Vortex Slide - Closed-flume



Swim N' Dunk Commercial RockSolid™ Basketball Game

Features a patented RockSolid anchor to eliminate movement against the toughest opponents, and a rugged SealedSteel® Salt Friendly single post frame and rim to guard against corrosion. When you need your deck to be clear, the game can be easily removed from the anchor, and the optional anchor cap put in place.

- Conveniently ships one box for easy handling and storage
- Single post design with an 18" anchor setback
- Salt Friendly SealedSteel® models are ideal for harsh indoor commercial environments
- Patented RockSolid® anchor ensures long term stability (won't wobble)
- Includes patented RockSolid® Anchor and salt friendly escutcheons

Specifications: 18" setback to center of anchor. Commercial grade 2.50" square, 304 stainless steel frame (Salt Friendly vinyl coated). Regulation rim, net, basketball, needle, anchor and escutcheon is included.
S/O Swim N' Dunk Basketball Game



Swim N' Dunk Commercial RockSolid™ Extended Reach

Extended Reach version, with a 30" setback that works well in commercial aquatic facilities with wide overflow or parapet gutters. Features a patented RockSolid™ anchor to eliminate movement against the toughest opponents, and a rugged SealedSteel® Salt Friendly single post frame and rim to guard against corrosion. When you need your deck to be clear, the game can be easily removed from the anchor, and the optional anchor cap put in place.

- Conveniently ships one box for easy handling and storage
- Single post design with an 30" anchor setback
- Salt Friendly SealedSteel® models are ideal for harsh indoor commercial environments
- Patented RockSolid® anchor ensures long term stability (won't wobble)
- Includes patented RockSolid® Anchor and salt friendly escutcheons

Specifications: 30" setback to center of anchor. Commercial grade 2.50" square, 304 stainless steel frame (Salt Friendly vinyl coated). Regulation rim, net, basketball, needle, anchor and escutcheon is included.
S/O Swim N' Dunk Extended Reach Basketball Game



Swim N' Dunk Commercial Dual Post

Features a SealedSteel® coated, one-piece upright frame and rim. The continuous uprights require less hardware and allow for quicker assembly, while the SealedSteel® Salt Friendly coating will stand up to harsh pool environments. When you need your deck to be clear, the game can be easily removed from the anchor, and the optional anchor caps put in place.

- Conveniently ships in 2 boxes for easy handling and storage
- Single-piece rail, dual-post design with an 18" anchor setback
- Salt Friendly SealedSteel® models are ideal for harsh indoor commercial environments
- Comes standard with a plastic anchor & salt friendly escutcheons (optional bronze anchor available for purchase, separately) Comes standard with a plastic anchor & salt friendly escutcheons (optional bronze anchor available for purchase, separately)

S/O Swim N' Dunk Commercial Dual Post Basketball Game



Commercial Volleyball Game

Comes in three sizes: 32' net, 42' net, or 52' net. Each net has 3' ties on each side. When you want to store the game, simply remove it from the anchors and replace with optional anchor caps for a flush look.

- Specifications: 1.90" OD, 304 stainless steel uprights with a 4' installed height. Competitive water volleyball, needle and anchors are included

S/O Volleyball Game 32' Net
S/O Volleyball Game 42' Net
S/O Volleyball Game 52' Net



Dawson Water Polo Goal

The Dawson is an adjustable goal that is fabricated of 304L series stainless steel. It meets FINA, NCAA, NFSHA and U.S. Water Polo regulations. The polo goal cage is supplied with UHMW fascia and a reinforced black nylon net backdrop. Solid backdrops are available.

S/O Water Polo Game



Pool Climbing Walls

Kersplash Pool Climbing Walls add adventure to pool decks in both indoor and outdoor applications. Available in 2, 3, and 4 panel heights. The Kersplash Pool Climbing Wall is made of a 100% stainless steel frame and UV and chlorine resistant panels. The see-through panels eliminate any visual barrier on the deck and hold an attractive visual appeal while the colored panels make a bold visual statement and add fun to any aquatic setting.

S/O Pool Climbing Wall 2 Panels
S/O Pool Climbing Wall 3 Panels
S/O Pool Climbing Wall 4 Panels



Strap Lounge

- Heavy-duty hand welded aluminum frames
- Vinyl straps are 2" wide and are both UV and mildew resistant
- Stackable for easy storage

86572

See color chart for availability



Strap Chair

- Heavy-duty hand welded aluminum frames
- Vinyl straps are 2" wide and are both UV and mildew resistant
- Stackable for easy storage

86570

See color chart for availability

Strap Colors Available*		
201 - White	202 - Vanilla	242 - Papaya
252 - Dove	223 - Peach	206 - Camel
204 - Citron Yellow	203 - Yellow	232 - Adobe
222 - Buttercup	205 - Driftwood	229 - Cappuccino
237 - Putty	207 - Saddle	253 - Bronze
208 - Dark Brown	209 - Terracotta	228 - Twilight Rose
225 - Red	236 - Burgundy	218 - Orange
226 - Salmon	238 - Coffee	219 - Grey
250 - Charcoal	221 - Black	213 - Baby Blue
257 - Light Blue	233 - Nantucket Blue	234 - Dusty Blue
247 - Slate Blue	215 - French Blue	216 - Royal Blue
217 - Navy Blue	230 - Clover	249 - Deepwater Blue
211 - Kelly Green	251 - Forest Green	248 - Sherwood Green
239 - Mistletoe	246 - Holly Green	212 - Dark Green

Matching custom powder coat finishes are available. Minimum 15 pieces for custom powder coat colors () below, or 15% up charge for less than 15 pieces.

Frame Colors Available*		
• ARCTIC WHITE	• MOCHA	• SEA SHORE
• CLOUD	• NIGHT SKY	• SPECKLED OKE
• EVERGREEN	• RIVER ROCK	• TERRA
• FRUITWOOD	• SADDLE	

*All the printed colors on this page are close, but not exact. Please pick out the colors you are interested in, and we will be happy to send you samples of the actual colors.

Let Us Help Customize the Right Solution for You!

STRAP BEACH CHAIR



Made to Order

Strap Beach Chair

- Heavy-duty hand welded aluminum frames
- Vinyl straps are 2" wide and are both UV and mildew resistant
- Stackable for easy storage

86574

See color chart for availability

PATIO HEATERS



Cross Strap Chair

- Heavy-duty hand welded aluminum frames
- Vinyl straps are 2" wide and are both UV and mildew resistant
- Stackable for easy storage

S/O

See color chart for availability



Commercial Patio Heaters

- 38,000 BTU's, Variable Control
- Thermocouple and Anti-tilt Safety Devices
- 1 year factory warranty

S/O



Cognac/Fusion Bronze



White/Glacier White



Solid Gray/Platinum Gray



Solid Gray/Volcanic Black



Taupe



Denim Blue



Sage Green



Charcoal

Vegetal Armchair

Sophisticated, organic design that will stay cool in the sun. Nylon footpads to resist abrasive surfaces
S/O Taupe
S/O Denim Blue
S/O Sage Green
S/O Charcoal

Sunset Armchair

Contemporary cast metal look without the cost or weight! The Sunset armchair is rust and UV resistant, perfect for poolside use
S/O Cognac/Fusion Bronze
S/O White/Glacier White
S/O Solid Gray/Platinum Gray
S/O Solid Gray/Volcanic Black



French Taupe



Denim Blue



Sage Green



Black



Red



Orange



Fern Green



Taupe

Essenza Armchair

Sophisticated, contemporary design with nylon footpads to resist abrasive surfaces
S/O Red
S/O Orange
S/O Fern Green
S/O Taupe

Vogue Armchair

Sophisticated and smart urban design, the Vogue armchair is contoured for comfort! Stackable and suitable for indoors or out
S/O French Taupe
S/O Denim Blue
S/O Sage Green
S/O Black



Charcoal



Bronze

Sumatra Armchair

Trendy wicker backrest and seat texture. Comfortable highback armchair with firm back support
S/O Charcoal
S/O Bronze



Bronze



Charcoal



Sand



Black

Victoria Armchair

Elegant and comfortable highback armchair with a contoured back. Will stay cool in the sun
S/O Bronze
S/O Charcoal
S/O Sand
S/O Black



Sage Green

NEW ITEM!



Charcoal



Bronze

Colombo Armchair

Comfortable highback armchair with true metal texture. Will retain its original color, texture, and finish without rusting. Will stay cool in the sun
S/O Sage Green
S/O Charcoal
S/O Bronze



Titanium Gray/Charcoal



Glacier White/Linen



Denim Blue/Linen

Moon Armchair

Low backrest with a wide ergonomic seat. Easy to handle and move around patios and terraces
S/O Titanium Gray/Charcoal
S/O Glacier White/Linen
S/O Bronze



Cognac/Fusion Bronze



White/Glacier White



Solid Gray/Platinum Gray



Solid Gray/Volcanic Black



Cognac/Fusion Bronze



White/Glacier White



Solid Gray/Platinum Gray



Solid Gray/Volcanic Black



Also available in sofa



Honey



Mochaccino/Taupe



Espresso



Java Folding Chair

High strength resin wicker frame for commercial outdoor features a locking seat. Comfortable Viro® branded fiber resists color fading, cracking, peeling and breaking
S/O Honey
S/O Mochaccino/Taupe
S/O Espresso



White



Sandstone

Bahia Deck Chair

100% resin with reinforced slats and frame for extra support
S/O Chaise Chair White
S/O Chaise Chair Sandstone



Charcoal/Gray Tweed



Spa Blue/Bronze



Khaki/Teak Wood



Kahki/White



Sandstone/Taupe



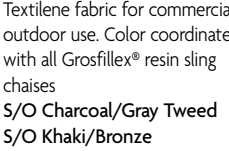
Orange/White



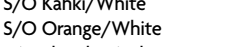
Blue/White



Sky Blue/White



Turquoise/White



Fern Green/White

Belize Folding Chair

Grosfillex® high strength Textilene fabric for commercial outdoor use. Color coordinates with all Grosfillex® resin sling chaises
S/O Charcoal/Gray Tweed
S/O Khaki/Bronze
S/O Kahki/White
S/O Orange/White
S/O Sky Blue/White
S/O Fern Green/White



Cognac/Fusion Bronze



White/Glacier White



Solid Gray/Platinum Gray



Solid Gray/Volcanic Black

Sunset Chaise Lounge

Elegant Sunset design for relaxing comfort. Coordinates with all of the Sunset Collection
S/O Cognac/Fusion Bronze
S/O White/Glacier White
S/O Solid Gray/Platinum Gray
S/O Solid Gray/Volcanic Black



Cognac/Fusion Bronze
Fusion Bronze Console



Solid Gray/Platinum Gray
Platinum Gray Console



Solid Gray/Volcanic Black
Platinum Gray Console

Sunset Duo Chaise Lounge

Elegant Sunset design for relaxing comfort. Coordinates with all of the Sunset Collection
S/O Cognac/Fusion Bronze
S/O Solid Gray/Platinum Gray
S/O Solid Gray/Volcanic Black
S/O Console



*Console sold separately



Taupe



Bronze



Honey

Java Chaise Lounge

High strength resin wicker frame for commercial outdoor use. Comfortable Viro® branded fiber resists color fading, cracking, peeling and breaking
S/O Taupe
S/O Bronze
S/O Honey



White



Sandstone

Bahia Chaise Lounge

100% resin with reinforced slats and frame for extra support
S/O Lounge Chair White
S/O Lounge Chair Sandstone



Charcoal/Gray Tweed



Blue/White



Sky Blue/White



Turquoise/White



Orange/White



Fern Green/White



Beige/White



Taupe/Sandstone

Calypso Chaise Lounge

Woven vinyl coated polyester fabric for strength and color-fastness. Suitable for both hard and sandy surfaces
S/O Charcoal/Gray Tweed
S/O Sky Blue/White
S/O Orange/White
S/O Beige/White
S/O Blue/White
S/O Turquoise/White
S/O Fern Green/White
S/O Taupe/Sandstone



Lava/Fusion Bronze



White/Glacier White



Concrete/Platinum Gray



Concrete/Volcanic Black



Lava/Fusion Bronze



White/Glacier White



Concrete/Platinum Gray



Concrete/Volcanic Black

Sunset 42\"/>

The Sunset aluminum table is sold complete and made of an HPL tabletop and a base that is cast metal designed with a satin finish. The four flared legs provide for extra chair leg room and extra stability, and will not rust nor get hot in the sun
 S/O Lava/Fusion Bronze
 S/O White/Glacier White
 S/O Concrete/Platinum Gray
 S/O Concrete/Volcanic Black

Sunset 36\"/>

The Sunset aluminum table is sold complete and made of an HPL tabletop and a base that is cast metal designed with a satin finish. The four flared legs provide for extra chair leg room and extra stability, and will not rust nor get hot in the sun
 S/O Lava/Fusion Bronze
 S/O White/Glacier White
 S/O Concrete/Platinum Gray
 S/O Concrete/Volcanic Black



42" Round



32" and 36" Square



48" X 32" Rectangle

Atlanta with Wicker Decor

Fine outdoor dining table in a rich wicker decor. Hard, smooth molded melamine treated seamless construction made to resist staining, burning, scratching, and fading
 S/O 42" Round
 S/O 32" Square
 S/O 36" Square
 S/O 48" X 32" Rectangle



White Woodgrain with White Legs



Teak Wood with Teak Wood Legs



Toscana with Charcoal Legs



Wicker Decor with Bronze Legs

Aquaba 48\"/>

A substantial poolside table! Durable 1/4" gauge resin table top with wide 4-prong table base and leg levelers for improved balance on uneven surfaces
 S/O White Woodgrain with White Legs
 S/O Teak Wood with Teak Wood Legs
 S/O Toscana with Charcoal Legs
 S/O Wicker Decor with Bronze Legs



Fusion Bronze



Glacier White



Platinum Gray



Volcanic Black

Sunset Cocktail Table

The Sunset cocktail table is the perfect complement to the Sunset Conversational Seating. Easy to assemble and constructed of 100% aluminum/powder coated paint
 S/O Fusion Bronze
 S/O Glacier White
 S/O Platinum Gray
 S/O Volcanic Black



Fusion Bronze



Volcanic Black



Platinum Gray



Glacier White

Sunset 20\"/>

The Sunset low table is the perfect complement to the Sunset Conversational Seating. Easy to assemble and constructed of 100% aluminum/powder coated paint
 S/O Fusion Bronze
 S/O Volcanic Black
 S/O Platinum Gray
 S/O Glacier White



Black



Charcoal



Forest Green

Windmaster10 Cantilever Umbrella 10' Square

Our new Winsmaster10 Cantilever Umbrella features colorfast Recacril® Marine Grade acrylic fabric to meet the demands of exterior use. Replaceable fiberglass ribs combine with a heavy-duty aluminum pole for extra strength and long life. It includes a durable polyester cover for off-season storage, along with a wind stabilizer to keep it secure. The required cross base is sold separately.
 S/O Black
 S/O Charcoal Gray
 S/O Forest Green
 S/O Base



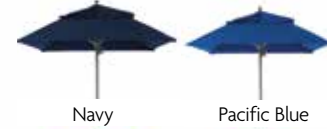
Black



Forest Green



Charcoal Gray



Navy



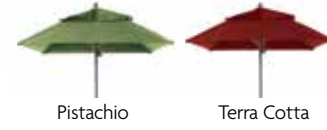
Pacific Blue



Sky Blue



Turquoise



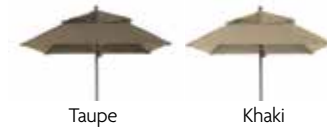
Pistachio



Terra Cotta

Windmaster Umbrella 6.5' Square

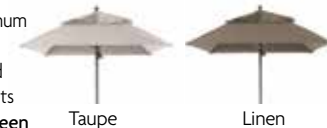
Our top-of-the-line umbrellas feature colorfast Recacril® Marine Grade acrylic fabric to meet the demands of exterior use. Replaceable fabric and fiberglass ribs combined with a heavy-duty aluminum pole for extra strength and long life. The new hooked pin allows for easy pulley cord tie-up, and we've added holes for additional adjustment points
 S/O Black
 S/O Charcoal Gray
 S/O Pacific Blue
 S/O Turquoise
 S/O Terra Cotta
 S/O Khaki
 S/O Forest Green
 S/O Navy
 S/O Sky Blue
 S/O Pistachio
 S/O Taupe
 S/O Taupe
 S/O Linen



Taupe



Khaki



Taupe



Linen

Our People Make The Difference



National Service Department

Services...	
Equipment Repair and Install	Safety and Thermal Covers
Chemical Automation	Filter Cleaning and Sand Changes
Safety and Code Compliance	Heater Diagnostic and Tune-Up
On-Site Training - Pool School	Winterize, Close, and Open Pools
Custom Solutions to Many More	

National Commercial Department

900 store locations – 24 Commercial Service Centers – Government Account Executives
CPO certified Commercial Account Executives – National Account Program

Services	In-Store	On-Site
Free Delivery	Free	Free Delivery
Supplies <i>see page. 3 for details</i>	Will-Call	Available
Water Analysis	Free	Free Delivery* <i>see page. 3 for details</i>
Training	Spring/Fall Seminars	CPO and Custom Courses
Site Survey	Program	Available
Chemical Automation	Program	Available
Code Experts	Free	Available
Finance Programs	We Design a System to Fit Your Needs	

COMMERCIAL CREDIT APPLICATION

Fax Completed Credit Application to 1.800.537.7838 or Email to arcredit@lesl.com

FOR OFFICE USE ONLY: CAE# _____ Approved _____ Credit Limit \$ _____ Acct # _____ Store # _____

BUSINESS INFORMATION		All Company Types Must Complete this Section	
Legal Business Name		Business Type <input type="checkbox"/> Apt <input type="checkbox"/> Hotel/Motel <input type="checkbox"/> Svr Trade <input type="checkbox"/> Other	
Doing Business As:		How would you like to receive statements? <input type="checkbox"/> Email <input type="checkbox"/> Fax	
Business Ship To Address: (cannot be a P.O. Box)		City	
State	Zip	Phone No.	Fax No.
Business Billing Address: If Different than Ship To		City	
State	Zip	Phone No.	Fax No.
Authorized Purchasers (1)		(2)	Email Address
Have you ever had an account with Leslie's? <input type="checkbox"/> Yes <input type="checkbox"/> No If Yes, Account #		Are you a member of a buying group <input type="checkbox"/> Yes <input type="checkbox"/> No	
Have you ever filed for bankruptcy or relief from creditors? <input type="checkbox"/> Yes <input type="checkbox"/> No If Yes, Describe		If Yes Who? _____	
Requested Monthly Credit Line \$		Current Average Monthly Maintenance Expense \$	Federal ID #
Date Business Established:		Net Annual Sales (prior year):	Tax Exempt (must include Certificate) YES / NO
Check One <input type="checkbox"/> Corporation <input type="checkbox"/> Government <input type="checkbox"/> Sole Proprietorship <input type="checkbox"/> Not for Profit <input type="checkbox"/> Partnership LLC		# of Pools _____ # of Spas _____	

CORPORATE MAILING INFORMATION

Name	Circle One Relationship:		
	Owner	Franchisor	Management Co.
Street Address	City	State	Zip
Payment Contact	Phone #	Fax #	
PO Necessary YES / NO	Email Address		

By signing below you: (1) submit an Application; (2) represent that you are authorized to execute the Application on behalf of the business entity; (3) represent that the business entity has authorized the execution of this Application; (4) authorize us to check credit on the business and owners, if necessary; (5) represent that the information provided in this Application is true and correct and understand that any false information may result in cancellation of the account; and (6) agree to be bound by the terms and conditions of the Business Account Agreement and Disclosure Statement (Agreement), set forth on both sides of this combined Application and Agreement. No Application will be processed without the signature of an authorized person on behalf of the business entity. You have read and received a copy of this agreement before making any purchase under this Account. Terms are attached. **Notice:** The Federal Equal Opportunity Act prohibits creditors from discriminating against credit applicants on the basis of race, color, religion, national origin, sex, material status, age (provided the applicant has the capacity to enter into a binding contract); because all or part of the applicant's income derives from any public assistance program; because the applicant has, in good faith, exercised any right under the Consumer Credit Protection Act. The federal agency that administers compliance with the law concerning this credit is the Federal Trade Commission, Division of Credit Practices, 6th and Pennsylvania Avenue, NW, Washington, DC 20580.

Authorized Signature	Print Name	Title	Date
_____	_____	_____	_____

CREDIT APPLICATION



CREDIT APPLICATION TERMS AND CONDITIONS

COMMERCIAL NET 30 ACCOUNT AGREEMENT: In accordance with the Truth in Lending Act, the following terms and conditions apply to Leslie's Commercial Credit Accounts. This is the entire agreement and no oral changes can be made.

GENERAL: In this agreement, the words "we", "us" and "our" refers to Leslie's Poolmart, Inc. The words "you", "yours" and "user" refers to the Business applying for credit. If we accept your application to open an Account, we will extend credit so that you may purchase goods and services with Leslie's Poolmart, Inc.

ACCEPTANCE OF AGREEMENT: All Users are bound by the terms of this Agreement.

PROMISE TO PAY: You agree to pay in U.S. Dollars for all purchases, late fees, over limit fees, return check charges, and other charges or fees under this Agreement incurred by you or any User, plus collection costs, court costs and reasonable attorney fees. All disputes must be received by written notice within 60 days of invoice and prior to payment.

BUSINESS PURPOSES: By signing and submitting the Application and Agreement, you represent that the Business (a) requests the credit line as stated in this application, (b) authorizes the receipt and exchange of credit information on the Business, (c) agrees to be liable for all charges to the Credit account, (d) agrees to be bound by the terms and conditions of the Credit Agreement established with Leslie's Poolmart, and (e) represents that the credit issued on this account will be used for business or commercial purposes, only as defined in the Truth-in-Lending Act and that purchases made on this Account are subject to the Truth-in-Lending Act or to state statutes governing consumer credit purchases. You agree to keep Leslie's Poolmart, Inc. informed of changes to all Account information.

CREDIT LINE: You agree that we may establish a credit line for your use and that your credit purchases, at any one time will not exceed the amount of the credit limit established by us. You will be advised of your credit limit when your Account is approved. You agree that we may terminate or reduce your credit line at any time. Increases to your credit line may only be made after a request for an increase is received and credit worthiness is deemed acceptable.

PAYMENTS: You agree that any payment may be returned to you if your check is (1) not drawn on U.S. Dollars on deposit in the U.S.; (2) missing a signature; (3) drawn with different written and numeric amounts; (4) endorsed with a restrictive endorsement; (5) posted; or (6) not paid on presentment. All payment checks must include the Account No. and Invoices which to apply check amount.

APPLICATION OF PAYMENTS: Payments will be made on invoices as requested by Account holder. Should an account be in default, payment will be applied to all late fees and other charges first, then to the oldest invoices.

FINANCE CHARGES: The Business understands that we review all Accounts monthly and we will consider an account in default if payments are not received within 30 days of purchase. If any account terms are breached, or if the account is otherwise in default as defined in the Credit Agreement, the Business understands that a penalty will be assessed in the amount equal to 1-1/2% (18% APR) of the balance overdue, and the Business will be responsible for paying any attorney's fees and costs incurred by Leslie's Poolmart in collecting the amount due.

RETURN CHECK FEE: If you make a payment with a check that is dishonored or returned for insufficient funds you agree to pay us an additional fee of \$32 for each such occurrence.

DEFAULT: The following are events of default under this Agreement.

- 1 You do not make payment when due.
- 2 You make any false or misleading statements on your credit application or you fail to supply us with updated financial information regarding the business within 30 days of request.
- 3 You file bankruptcy or a bankruptcy petition is filed against you.
- 4 Any natural person guaranteeing payment of this agreement dies, declares bankruptcy or has a bankruptcy petition filed against them.
- 5 There is an event that occurs which in our reasonable discretion causes the prospect of payment by you to be significantly impaired.
- 6 The goods securing this Agreement are lost or destroyed.
- 7 You breach any other terms of this agreement.

In the event of default, we may demand that the entire unpaid balance be paid immediately. If you are in default and we refer your Account to an attorney and/or collection agency for collection, we may charge you the cost associated with such collection, as applicable by law within the Fair Debt Collections Act. All liabilities of the Business and of the Guarantor shall mature immediately upon the insolvency of the Business, its inability to meet its obligations as they become due, the appointment of a receiver, custodian or trustee for the business, the filing of a voluntary or involuntary petition for relief in bankruptcy, reorganization, or arrangement, the making of an assignment for the benefit of creditor, or the calling of a meeting of creditors by the Business, or if any of the foregoing events shall occur with respect to any Guarantor.

ARBITRATION: Each party agrees to submit any and all disputes concerning this application or concerning the account established in connection with this application, if not resolved between the parties, to binding arbitration under one (1) neutral, independent and impartial arbitrator in accordance with the Commercial Rules of the American Arbitration Associations ("AAA"); provided, however, the arbitrator may not vary, modify or disregard any of the provisions contained in this paragraph. The decision and any award resulting from such arbitration shall be final and binding. The arbitrator is empowered to award attorney's fees to the prevailing party. The arbitration award will be in writing. The parties agree that any decision or award resulting from proceedings in accordance with this paragraph shall have no preclusive effect in any other matter involving third parties. All applicable statutes of limitation and defenses based upon the passage of time will be tolled while the procedures specified in this paragraph are pending. The parties will take such action, if any, required to effectuate such tolling. The arbitration shall be governed by the United States Arbitration Act and judgment upon the award rendered by the arbitrator may be entered by any court having jurisdiction.

CHANGES IN TERMS: We may change or terminate any terms, conditions, services or features of your Account or this Agreement at any time. Should changes in terms occur, we will communicate these changes by mail prior to the effective date.

LIABILITY FOR USE: You agree that you will keep your Account No. confidential and will contact us immediately should you believe purchases are being made by an unauthorized user. You will continue to keep Leslie's Poolmart, Inc. informed of changes to authorized users. If you do not notify us within 30 days of a receipt of statement on which the information is contained, the statement will be presumed to be correct and all purchases contained on the statement will be presumed to be authorized.

CANCELLATION OF ACCOUNT: We have the right to cancel this Agreement/Account, as it relates to future purchases, at any time, without default. The Business will remain obligated to pay for all purchases made prior to cancellation and any charges associated with these purchases.



COMMERCIAL DIVISION ORDER FORM

2005 E Indian School Rd, Phoenix, AZ 85016 • Order 800.227.8222 • Fax Order 800.537.7838

1 BILL TO: (Please print)

Account Name: _____
 Address: _____
 City: _____
 State: _____ Zip: _____
 Phone #: (____) _____ Ext: _____
 Fax #: (____) _____ Email: _____
 Contact Name: _____

2 SHIP TO: (Use only if different address)

Facility Name: _____
 Address: _____
 City: _____
 State: _____ Zip: _____
 Phone #: (____) _____ Ext: _____
 Fax #: (____) _____ Email: _____
 Contact Name: _____

3	Quantity	Item Number	Color	Description	Price Each	Total Price
1						
2						
3						
4						
5						
6						
7						
8						
9						
10						
11						
12						

5 Enclose check, money order, credit card number and/or Leslie's credit account number and fill out appropriate information below.

- Check Money Order Visa MasterCard Discover American Express

Card #: _____
 Signature: _____
 Expiration Date: _____
 Leslie's Account #: _____
 Leslie's Purchase Order #: _____



	SUB-TOTAL	
	TAX*	
	SHIPPING	
4	TOTAL	

*Add your state and city sales tax if we ship to: AL, AR, AZ, CA, CT, DE, FL, GA, IA, IL, IN, KS, KY, LA, MA, MD, MI, MO, MS, NC, NE, NH, NJ, NM, NV, NY, OH, OK, PA, RI, SC, TN, TX, UT, or VA. If tax exempt, please submit certificate.

THANK YOU FOR YOUR ORDER

RECOMMENDED GUIDELINES FOR WATER QUALITY
 APSP (ASSOCIATION OF POOL & SPA PROFESSIONALS) GUIDELINES
 FOR CHEMICAL OPERATIONAL PARAMETERS[†] (effective 4/2011)

	Minimum	Ideal	Maximum
Free Chlorine (FAC)	Pool: 1.0 ppm Spa: 2.0 ppm	2.0 – 4.0 ppm 2.0 – 4.0 ppm	None Given‡
Combined Chlorine (CAC)	0.0 ppm	0.0 ppm	Pool: 0.2 ppm Spa: 0.5 ppm
Bromine	Pool: 1.0 ppm Spa: 2.0 ppm	3.0 – 4.0 ppm 4.0 – 6.0 ppm	None Given‡
pH	7.2	7.4 – 7.6	7.8 #
Total Alkalinity Ideal range depends upon the type of sanitizer used. Maintain between 80-120 ppm.	60 ppm	80 – 100 ppm (for calcium hypochlorite, sodium hypochlorite and lithium hypochlorite) 100 – 120 ppm (for gas chlorine, dichlor, trichlor and bromine compounds)	180 ppm
Calcium Hardness	Pool: 150 ppm Spa: 100 ppm	200 – 400 ppm 150 – 250 ppm	1000 ppm* 800 ppm
TDS	N/A	N/A	1500 ppm over start-up TDS**
Iron & Copper (Heavy Metals)	0.0 ppm	0.0 ppm	0.0 ppm
Stabilizer ## (Cyanuric Acid)	10 ppm	30 – 50 ppm	100 ppm #

† Applicable health department guidelines and label directions supersede these.

‡ U.S. EPA maximum of 4.0 ppm chlorine / 8.0 ppm bromine is noted.

* Depends on local fill water conditions. Normally 500 ppm is the maximum.

** If the pool has a chlorine generator, drain when the TDS is 1500 ppm above the salt level. Most health departments recommend draining a spa when the TDS is 1200-1500 ppm above the fill water TDS level. Never drain more than a third of the water from vinyl-liner or fiberglass pools at any time. The preferred method is to drain one foot of pool water and add one foot of fresh water at the same time. Always drain using a submersible pump.

Varies per state and local health code.

Outdoor, chlorinated pools only.

Calculation Formulas

AMOUNT CONVERSIONS

Ounces to Pounds Ounces ÷ 16 = Pounds
 Fluid Ounces to Gallons Fluid Ounces ÷ 128 = Gallons

DISTANCE CONVERSIONS

Yards to Feet Yards x 3 = Feet
 Meters to Feet Meters x 3.28 = Feet

SURFACE AREAS

Circle: 3.14 x radius x radius = Square Feet (Ft²)
 (radius = diameter ÷ 2)
 Rectangle/Square: Length x Width = Square Feet (Ft²)
 Triangle: (Length x Width) ÷ 2 = Square Feet (Ft²)

POOL VOLUME

Surface Area x Average Depth x 7.48 (7.50 = GALLONS)
 Average Depth = (shallow depth + deep depth) ÷ 2

TURNOVER RATE

Pool Volume ÷ Flow Rate ÷ 60 = Hours

FLOW RATE (MINIMUM)

Pool Volume ÷ Turnover Rate (hours) ÷ 60 = Gallons per Minute (GPM)

FILTER SURFACE AREA

Flow Rate ÷ Filter Media Rate = Square Feet (Ft²) of Filter Surface Area Needed

FILTER MEDIA RATE

Also known as FILTERING RATE, MEDIA ABILITY OF FILTERING ABILITY
 (Measured in gallons per minute per ft²)

TYPE OF FILTER	GPM PER FT ² OF FILTER AREA	ACCEPTED RATE
D.E. (W/O Slurry Feed)	1.5 – 2.5	*2.0
D.E. (W/Slurry Feed)	2.0 – 3.0	*2.5
SAND (High Rate)	5.0 – 20.0	*5.0 - 20.0
SAND (Rapid Rate)	1.5 – 5.0	*3.0
CARTRIDGE	0.375 – 1.0	*0.375

*VARIES PER STATE AND LOCAL CODES (Based upon type and style of filter –pressure or vacuum)

Filter Media Rate = Gallons per Minute per Square Foot (Ft²)

MAXIMUM USER (BATHER) CAPACITY

Surface Area ÷ Health Code Bather Capacity = **MAXIMUM USER CAPACITY**

**Salt Chlorine Systems
Common Replacement Cells**



Aqua Plus, AquaTrol/Super Cells

13083	SC-36	MC-7
13086	SC-48	MC-13
13087	SC-60	MC-32
624733	942-3MF	MC-3

Hayward Salt & Swim

CALL	GLX-DW-12	12-Month
CALL	GLX-DW-6	6-Month

Hayward AquaLogic, AquaRite, AquaTrol & Goldline

81347	T-CELL-3	1YR 3-YEAR
81348	T-CELL-9	2YR 3-YEAR
81349	T-CELL-15	4YR 3-YEAR



Pentair IntelliChlor

621181	325004	K20
621184	325003	K40

Zodiac Clearwater C-Series

626262	W193841	C140 ELECTRODE
626277	W193891	C180 ELECTRODE (2-RED)
13082	W193831	C170 ELECTRODE
13083	W193861	C200 ELECTRODE
13084	W193871	C230 ELECTRODE

**Zodiac Clearwater LM-2
Housing Sold Separately**

13017	W202031	LM-2 15 Cell Only
13018	W202032	LM-2 24 Cell Only
13019	W202071	LM-2 40 Cell Only



**Zodiac Clearwater LM-3
Housing Sold Separately**

15560	W196266	LM-3 15 Cell Only
15561	W196286	LM-3 24 Cell Only
15562	W196306	LM-3 40 Cell Only

**Zodiac Jandy AquaPure
3-Port Cells Cell Only (includes: Cell, O-Ring & Cord)**

617800	RD452300	APURE 700 Cell & Cord
617802	RD452400	APURE 1400 Cell & Cord

3-Port Cell With 2" Unions Replacement for Older Units

624610	RD475300	APURE 700 3-PORT 2" UNIONS
624610	RD475400	APURE 1400 3-PORT 2" UNIONS

**Chemical Automation
Hayward Goldline Controllers**



Salt Chlorinator Cell



Aqua Logic System

Part#	Sku	Description
Common Replacement Parts		
GLX-DRK	623950	Rectifier Upgrade
GLX-FLO-RP	624023	Flow Switch (15' cable, no tee)
GLX-FLO-RP-25	624024	Flow Switch (25' cable, no tee)
GLX-FLO-T	623868	Tee for Flow Switch
GLX-XFMR	624026	Transformer
GLX-R-10PK	624022	Rectifier (10 pack)
GLX-F20-10PK	623941	Fuse Kit, 20A (10 pack) (for AquaRite/Trol before 11/04)
GLX-F20A-10PK	623951	Fuse Kit, 20A/yellow (10 pack) (all AquaLogic/Rite/Trol after 11/04)
GLX-F3A-10PK	623952	Fuse Kit, 3A/violet (10 pack) (AquaLogic only)
GLX-FUSE-20	623884	Fuse Holder Kit (fuse holder and wires for Rite/Trol before 11/04)
GLX-PC-12-KIT	623925	Temperature Sensor with 15' leads and hose clamp
GLX-RF-EXTEND	CALL	AQL2-BASE-RF extension 50'
GLX-RELAY	623976	Relay, 3 H.P.
GLX-PWR-X	CALL	Power Supply, wall plug-in, for wireless remote
GLX-GVA-2CAM	623821	Cams for GVA Valve Actuator (Set of 2)
GLX-GVA-4SCR	623833	Screws (4) for mounting GVA-24 Valve Actuator
GLX-FLO	15510	Flow Switch (15' cable with tee)
GLX-FLO-25	CALL	Flow Switch (25' cable with tee)
GLX-TLOUTLET-20	CALL	120V/15 amp Twist Lock Pump Outlet
GLX-OUTLET-15A	CALL	120V/15 amp Pump Outlet
GLX-ELEC-KIT	CALL	Chlorinator Hook-up, line voltage
GLX-POD-CHGR	CALL	Battery Charger for AquaPod
GLX-CELLST-STD	11609	Stand for Cell Tester
GLX-CELL-TESTER	11336	Tester for all TurboCell Electrolytic Cells
GLX-SS-RF	CALL	Wireless Spaside Remote Control
Salt Chlorinator Cells		
For: AquaRite, AquaPlus, ProLogic & AquaLogic Systems		
GLX-CELL-3-W	CALL	TurboCell, 15K gallons, 1 year warranty
GLX-CELL-5-W	CALL	TurboCell, 20K gallons, 1 year warranty
GLX-CELL-9-W	CALL	TurboCell, 25K gallons, 1 year warranty
GLX-CELL-15-W	CALL	TurboCell, 40K gallons, 1 year warranty
GLX-CELL-PIPE	CALL	Straight Pipe Placeholder for TurboCell
GLX-CELL-UNION	15509	2" Cell Union Kit (1 each of nut, tailpiece, O-Ring)
GLX-CELL-5	624075	TurboCell, 20K gallons, 3 year warranty
GLX-CELL-15	15501	TurboCell, 40K gallons, 3 year warranty
GLX-CELL-15-25	624092	TurboCell, 40K gallons, 3 year warranty, 25 ft. cord
GLX-CELLSTAND	15508	Cleaning Stand for TurboCells
GLX-UNION-ORING	CALL	TurboCell Union O-Ring (pack of 12)
Accessories		
GLX-SALTMETER	624025	Salt Meter, handheld, digital
GLX-CAL-SOL	11282	Calibration solution for Salt Meter, 3200ppm
Generic	15508	Cleaning Stand, for all TurboCells (GLX-CELLSTAND)
AquaLogic Controls		
GLX-PCB-MAIN	624083	Main PCB, AquaLogic
GLX-PCB-EXP	624084	PCB, Expansion Unit for PS-16
GLX-LOCAL-P-4	624046	Display, Local, P-4
GLX-LOCAL-PS-4	624070	Display, Local, PS-4
GLX-LOCAL-PS-8	624073	Display, Local, PS-8
GLX-LOCAL-PS-16	624074	Display, Local, PS-16
GLX-BASE-RF	81206	Wireless Antenna for AquaLogic
AquaPlus Controls		
GLX-PCB-PRD	CALL	Main PCB, AquaPlus
GLX-PL-LOC-P-4	CALL	Display, Local, AquaPlus
E-Command		
GLX-PCB-HPC-2	CALL	Main PCB, E-Command
GLX-PCB-HPC-4	CALL	Main PCB, E-Command 4
GLX-LOC-HPC-2	CALL	Display, Local, E-Command
GLX-LOCAL-P-4	624046	Display, Local, E-Command 4
GLX-RF-3B	CALL	3 Button Remote Control

Chemical Automation
Hayward Goldline Controllers

Hayward Chlorinators
CL100 In-Line & CL110 Off-Line

Part#	Sku	Description
AquaRite		
GLX-CTL-BITE	624253	Control Unit, AquaRite
GLX-PCB-BITE	624251	Main PCB, AquaRite
GLX-PCB-DSF	624211	Display PCB, AquaRite
AquaRite Pro		
GLX-CTL-AR-PRO	DALL	Control Unit, AquaRite Pro
GLX-PCB-AR-PRO	DALL	Main PCB, AquaRite Pro
GLX-AR-PRO-MEM	DALL	Display, Membrane Key Pad, steel front
AquaTrol		
GLX-CTL-TB-HP	624287	Control Unit, AquaTrol-HP, straight blade
GLX-CTL-TB-HP-T	624288	Control Unit, AquaTrol-HP, twist lock
GLX-CTL-TB-RJ	624289	Control Unit, AquaTrol-RJ, straight blade
GLX-CTL-TB-RJ-T	624290	Control Unit, AquaTrol-RJ, twist lock
GLX-RI-ELBFW	623233	Fitting, Return Jet
GLX-TMCL-TIMEM	621446	24 hour Timeclock
GLX-PCB-TMCL-RJ	DALL	Main PCB, AquaTrol RJ
GLX-PCB-TMCL-HP	DALL	Main PCB, AquaTrol HP
GLX-CELL-3	624273	TurboCell, 20K gallons
OnCommand		
GLX-PCB-ONCOM	DALL	Main PCB, OnCommand
GLX-LOC-ONCOM	DALL	Display, Local, OnCommand
GLX-DCOR-ONCOM	DALL	Enclosure Door, OnCommand
AquaConnect		
GLX-HIDMEMET	DALL	Replacement Wireless Mini-server, Home Network
GLX-HIDMEMET-PS	DALL	Replacement Power Supply for AQ-CC-HIDMEMET
Scum & Dispose		
GLX-PRONE-OMP	DALL	Probe, OMP Replacement
GLX-PRONE-PH	DALL	Probe, pH Replacement
GLX-SD-ELEC-MOD	DALL	Scum and Dispose Electronics
GLX-SD-FLOW	DALL	Flow Cell, Scum and Dispose
GLX-WINTER-KIT	DALL	Kit-Replacement, Winterizing
GLX-SP-LPSTUNE	DALL	Tube, Low Pressure, 83
GLX-SP-LVSTUNE	DALL	Tube, LV
GLX-SP-STRAINER	DALL	Strainer
GLX-SP-CHEKV	DALL	Check Valve
GLX-SP-FLO	DALL	Flow Indicator
GLX-SP-DB	DALL	Duck Bill (2 pack)
GLX-SP-ROLLER	DALL	Roller Assembly
GLX-SADDLE	DALL	Saddle Clamp
GLX-SP-PUMP-120	DALL	120V Periodic Pump
GLX-SP-PUMP-240	DALL	240V Periodic Pump
Salt & Swim		
SAS-CELL	621194	Salt & Swim EC Replacement Cell
GLX-CTL-SW	DALL	Salt & Swim EC Control Box
GLX-SW-Cord	DALL	Salt & Swim EC Replacement Power Cord
GLX-SW-Cable	DALL	Salt & Swim EC Replacement Cell Cable
GLX-SW-Door	DALL	Salt & Swim EC Replacement Door
GLX-SW-VESSEL	DALL	Salt & Swim EC Replacement Vessel
GLX-SW-CEM13	DALL	1.5" Ring, Collar and Nut Set
GLX-SW-CEM2	DALL	2" Ring, Collar and Nut Set
GLX-SW-CLIP	DALL	Cell Clipping Cap
GLX-SW-ORING	DALL	O-Ring for Salt Cell
GLX-SW-UNION	DALL	Salt & Swim EC Pro Union Kit



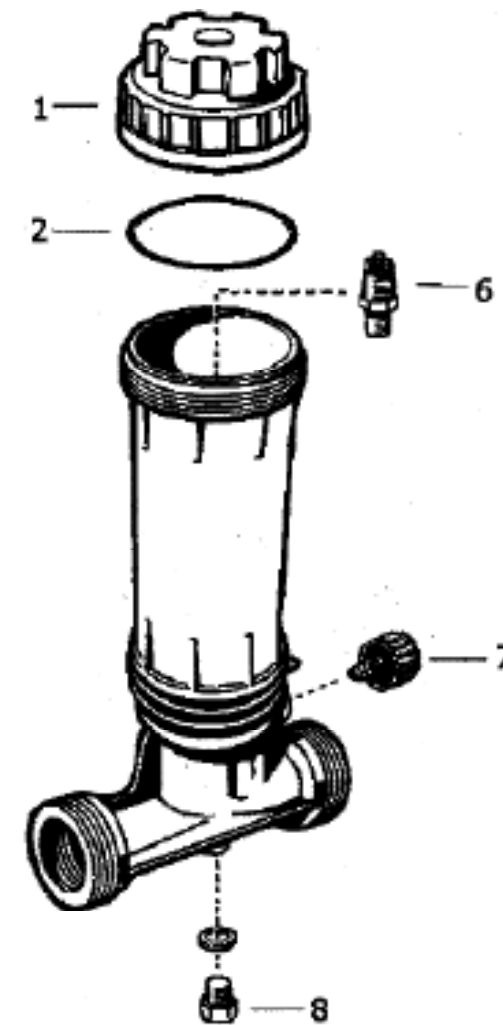
Aqua Rite & Turbo Salt Cell System



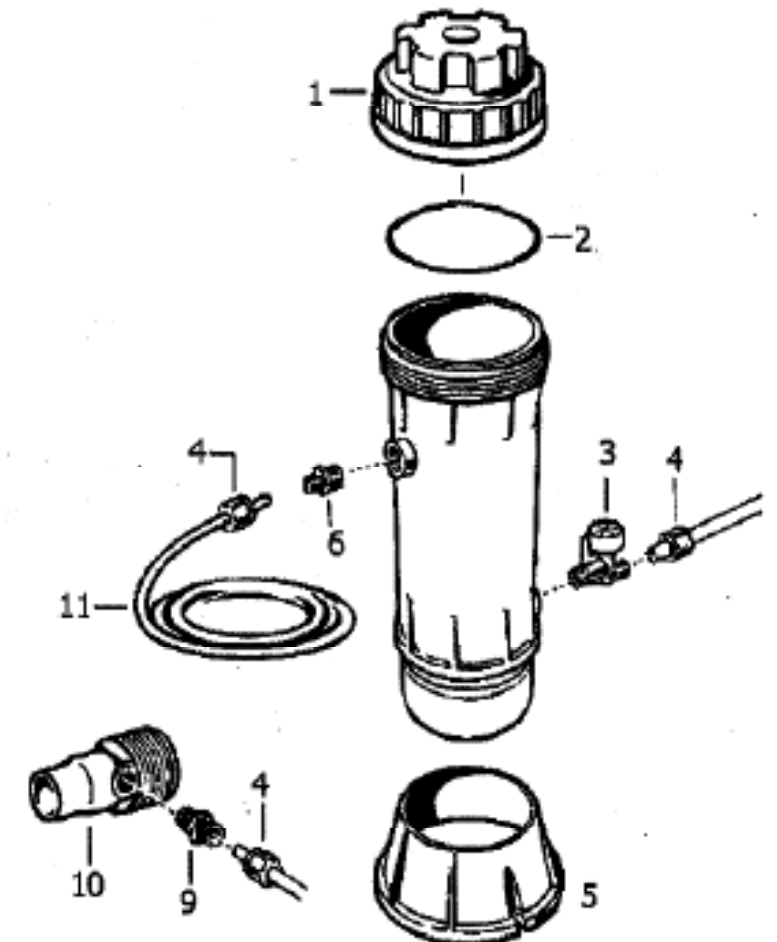
OnCommand Controller



Salt & Swim System



CL100 - In-Line for AG Pools or Spas
Chlorinator/Brominator



CL110 - In-Line for AG Pools
Chlorinator

Key	Part#	Sku	Description
1a	CLX130C	16236	Cover (for Chlorine Tanks)
1b	CLX130BR	16238	Cover (for Bromine Tanks)
2a	O-283	66263	O-Ring, Cover (CLX130C)
2b	O-442V	16489	O-Ring, Vessel (CL110B)
3	CLX130A	16261	Control Valve
4	CLX228H	16262	Compression Nut
5	CLX130B	16262	Base
6	CLX228EA	16262	Check Valve & Inlet Fitting
7	CLX130FA	16263	Knob, Control Valve
8	16264	16264	Drain Plug (SP1700F4V)
9	CLX228GA	16266	Saddle Clamp Kit
10a	62622	62622	Hose Adapter (SP1883)
10b	SP1883LZ7TC	621788	Hose Adapt., With Top
11	CLX228	16265	Tubing, 8 ft

Hayward Chlorinators
CF High Capacity, CL200 In-Line & C220 Off-Line

Pentair Rainbow Chlorinators
300-Series Off-Line

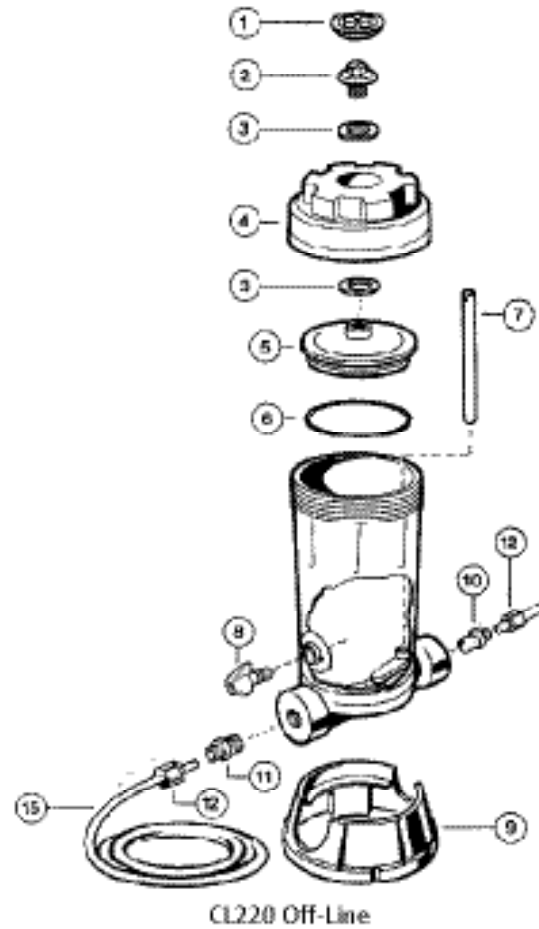
Key	Part#	Sku	Description
-----	-------	-----	-------------

CL220 Off-Line & CL200 In-Line Chlorinators (Right)

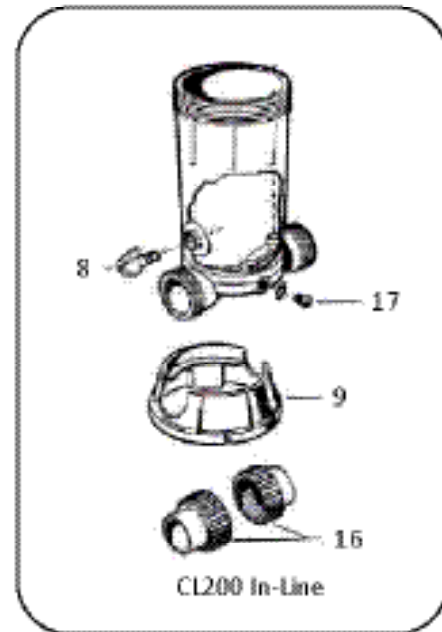
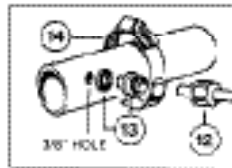
1-3	CLX200GA	16347	Cover Screw Kit w/Washer
4-6	CLX200CA	611731	Cover Cap Kit w/O-Ring
4	CLX200C	16338	Cover Cap
5	CLX200B	16337	Cover
6	O-231V	16345	O-Ring, Cover, Viton (CLX200K)
7	CLX200H	16506	Feed Tube
8	CLX200PA	16341	Control Knob Assy.
9	CLX220B	16507	Base CL220
10-11	16342	16342	Check Valve & Inlet Fitting KIT (CLX220EA)
12-14	16346	16346	Saddle Fitting Tubing KIT (CLX220IGA)
12	CLX220H	16505	Compression Nut
13	CLX220P	16334	Adapter Fitting 1/4"
14	CLX220K	611733	Saddle Clamp
15	CLX220I	16349	Tubing 8FT
16a	SP1500UNMPAK1	16343	Union End Connector, Each
16b	SP1500UNMPAK2	40031	Union End Connector, 2-pk
16c	SPX1460BTC	611730	Union w/ 1/4" Tap
17	16504	16504	Drain Plug, 1/4" (SPX1700FG)

C250-1800CF Large Chemical Feeders (Below)

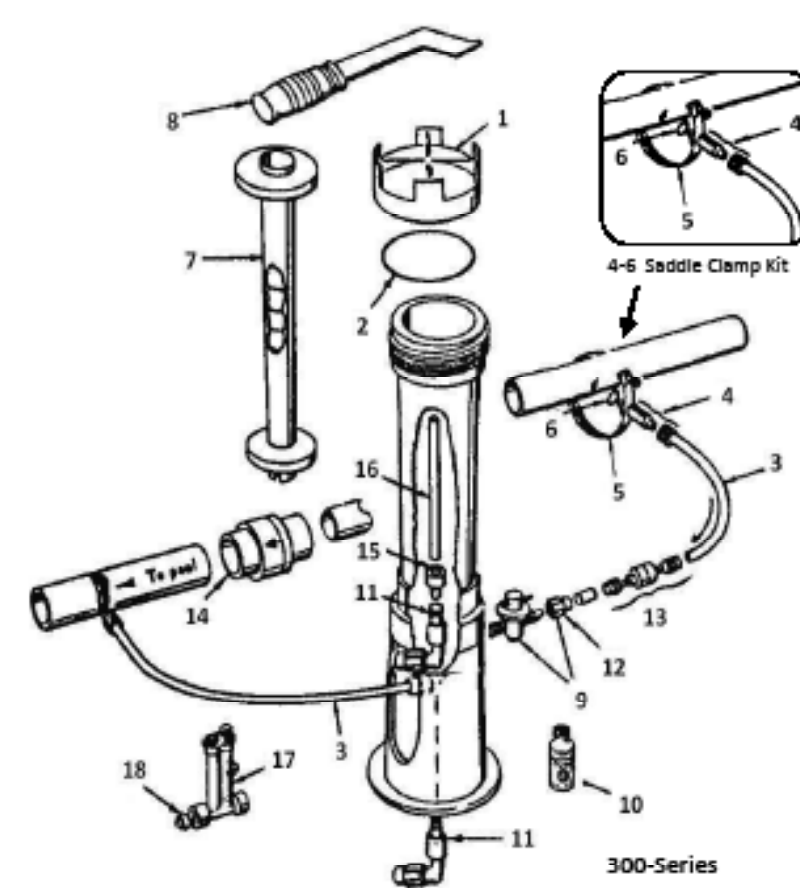
1	SPX3100D	40545	Cover
2	O-12V	66260	O-Ring, Viton (SPX3000SV)
3	CX500I	16509	Strainer
4a	CX500CV	16513	Check Valve, 3/4"
4b	CX1100CV	16514	Check Valve, 1-1/2"
5a	CX500BV	16511	Valve Control, 3/4"
5b	CX1100BV	16512	Valve Control, 1-1/2"
6	SPX605ZV	66261	O-Ring, Drain Plug
7	CX250Z14	16533	Drain Plug, 1/2"
8	SP1900T	40955	Lid Wrench



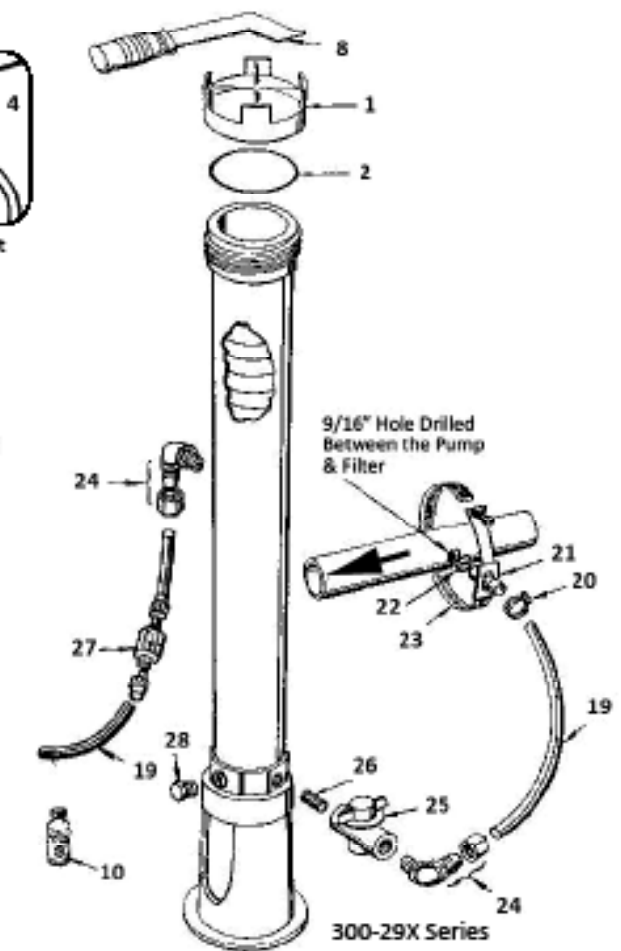
CL220 Off-Line



CL200 In-Line



300-Series



300-29X Series

300, 302, 300-19 & 300-29 Replacement Parts

Key	Part#	Sku	Description
1	R17200W	16370	Cap, White
2	O-233	66263	O-Ring, Cap (R17200S)
3	R172033	16330	Tubing, 8FT x 1/4"
4-6	280013	16413	Saddle Clamp Kit
4	R172032	611779	Tube Fitting w/Comp. Nut
5	R172034	611791	Saddle Clamp
6	R172033	16326	Gasket, Tube Fitting
7	R172037	16387	Spa Chemical (for 300-Series)
8	R172032	16420	Wrench, Lid
9	R172060	16330	Control Valve, 1/4" w/Nut
10a	68926	68926	Leslie's Lube 3.3 oz
10b	R172036	611790	Silicone Lube 1 oz
11	R172061	16403	Elbow w/Check Valve
12	R18706	16433	Compression Nut Ex. (Only)
13	R172033	16329	Check Valve, 1/4"
14	R172088	16389	Check Valve, 1-1/2 to 2"
15	R172061B	611713	Stainless Adapt., Bronze
16	R18761	611734	Flow Indicator, 8"
17	R172088	16382	Flow Indicator w/Check Valve
18	R172032	16334	Check Valve (Old Style)

Parts Kit: 300-Series

R172064	611727	Parts Bag, Includes:
2x Tube Fittings (R172032)	1x Control Valve (R172060)	
2x Gaskets, Fitting (R172033)	1x Silicone Lube (R172036)	
2x Saddle Clamps (R172034)	1x Elbow Check Valve (R172061)	

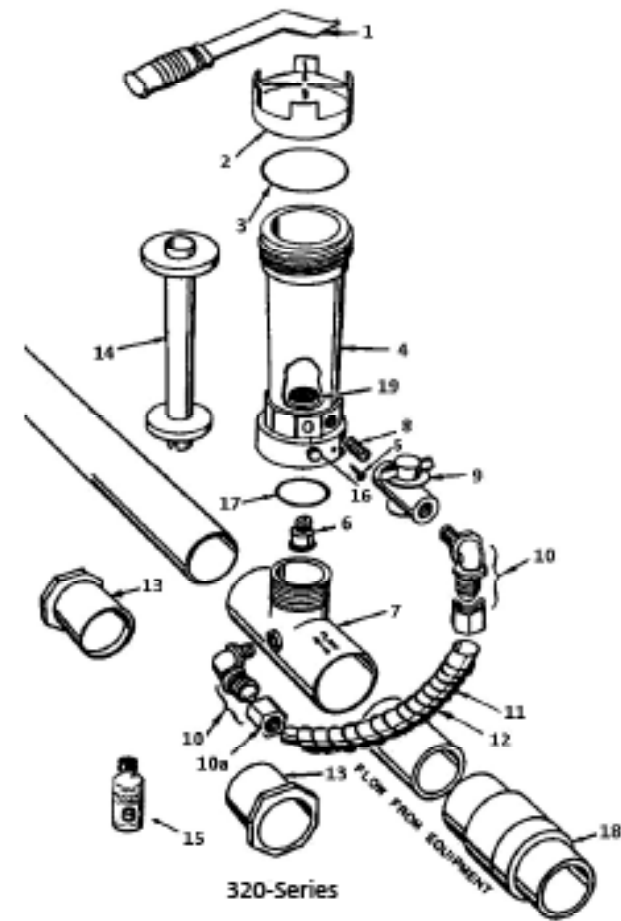
Commercial Size 300-29X Replacement Parts

Key	Part#	Sku	Description
1	R17200W	16370	Cap, White
2	O-233	66263	O-Ring, Cap (R17200S)
8	R172032	16420	Wrench, Lid
10a	68926	68926	Leslie's Lube 3.3 oz
10b	R172036	611790	Silicone Lube 1 oz
19	R172033	16433	Tubing, 12FT x 1/2"
20	R173013	16371	Tube Clamp
21	R172062	16372	Saddle Fitting
22	R172033	16373	Gasket, Saddle Fitting
23a	R172034	16374	Saddle Clamp, 1-1/2 to 2" Pipe
23b	R172040L	16375	Saddle Clamp, 3-6" Pipe
24	R172272	16411	Elbow Tube Fitting, 1/2" w/Nut
24a	R172274	16383	Compression Nut, 1/2"
25	R172086	16391	Control Valve, 1/2"
26	R172236	16434	Adapter, 1/2" Nipple
27	R172040S	16376	Check Valve, 1/2"
28	R172134	16377	PVC Plug 1/2" MPT

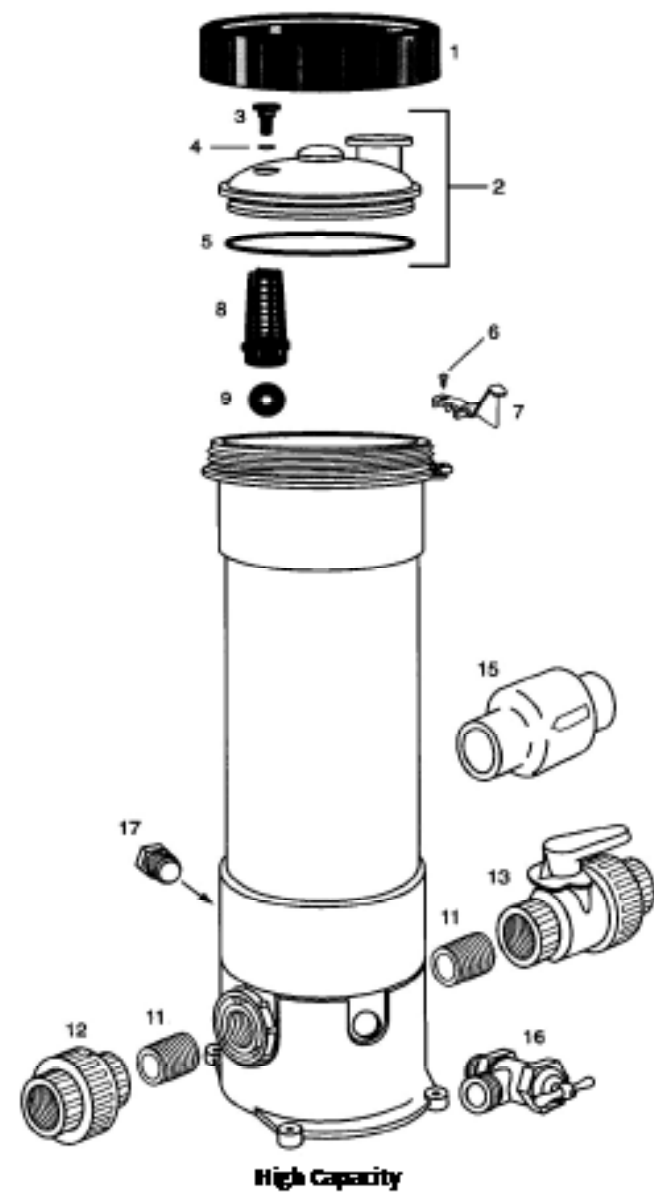
Parts Kit: 300-29X

R172275	16378	Parts Bag, Includes:
2x Saddle Fitting (R172262)	1x Nipples 1/2" MPT (R172256)	
2x Gasket, Fitting (R172263)	1x Control Valves 1/2" (R172086)	
2x Saddle Clamp (R172264)	1x Elbow Fitting (R172272)	
2x Tube Clamp (R173013)	1x Silicone Lube (R172036)	

Pentair Rainbow Chlorinators
320-Series In-Line & HC High Capacity Feeders



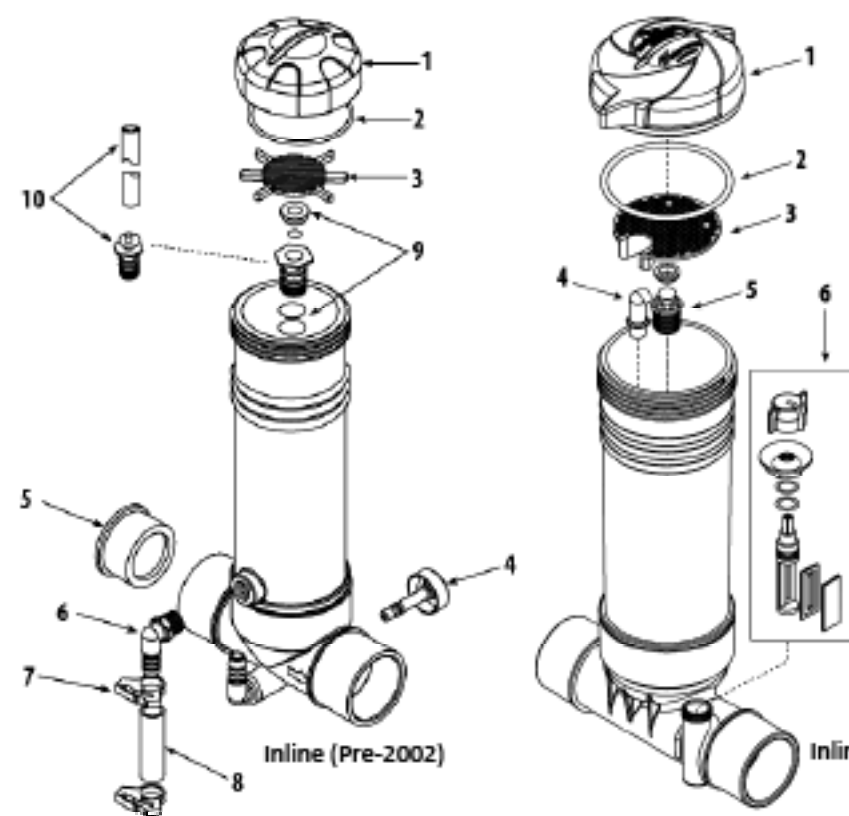
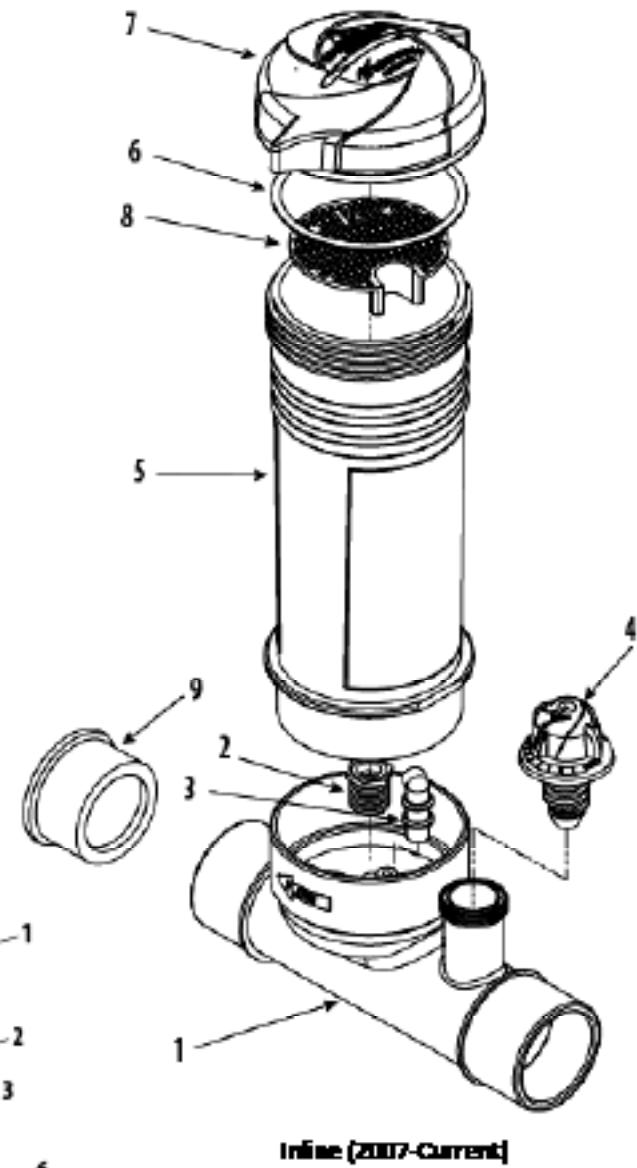
Key	Part#	SKU	Description
320-322 Series In-Line Replacement Parts			
1	RL72032	36420	Wrench, Cap
2	RL72039W	36370	Cap
3	O-253	65263	O-Ring, Cap (RL72039)
4	RL72321	36397	Body Only
5	RL72032	36380	Lock Screw
6a	RL72248	36381	Check Valve (320-Series)
6b	RL72331	621789	Check Valve Flow Reg. (322-Series)
7	RL72317	36382	Driveter Tee, 1-1/2" x 2"
8	RL72236	36434	Adapter, 1/2" Nipple
9	RL72036	36391	Control Valve, 1/2"
10	RL72272	36411	Elbow Tube Fitting, 1/2"
10a	RL72274	36383	Compression Nut, 1/2"
11a	RL72091	36394	Feed Tube, Short
11b	RL72253	36419	Top Feed Tube (Optional)
12	RL71897	36385	Spring, Feed Tube
13	RL72210	36386	Reducer Bushing, 1-1/2" - 2"
14a	RL72037	36387	Spin Tube Chamber (320-Series)
14b	RL72238	621789	Chemical Chamber (322-Series)
15a	68926	68926	Leslie's Lube 3.5 oz
15b	RL72036	621790	Silicone Lubricant 1 oz
16a	RL72134	36377	PVC Plug, 1/2" MPT (Top)
16b	RL72087	36394	PVC Plug, 1/4" MPT (Base)
17	RL72315	65262	O-Ring, Base
18	RL72288	36389	Check Valve, 1-1/2 to 2"
19a	RL72203	36388	Screen
19b	RL72088B	621342	Adapter, Standpipe (for Bromine)



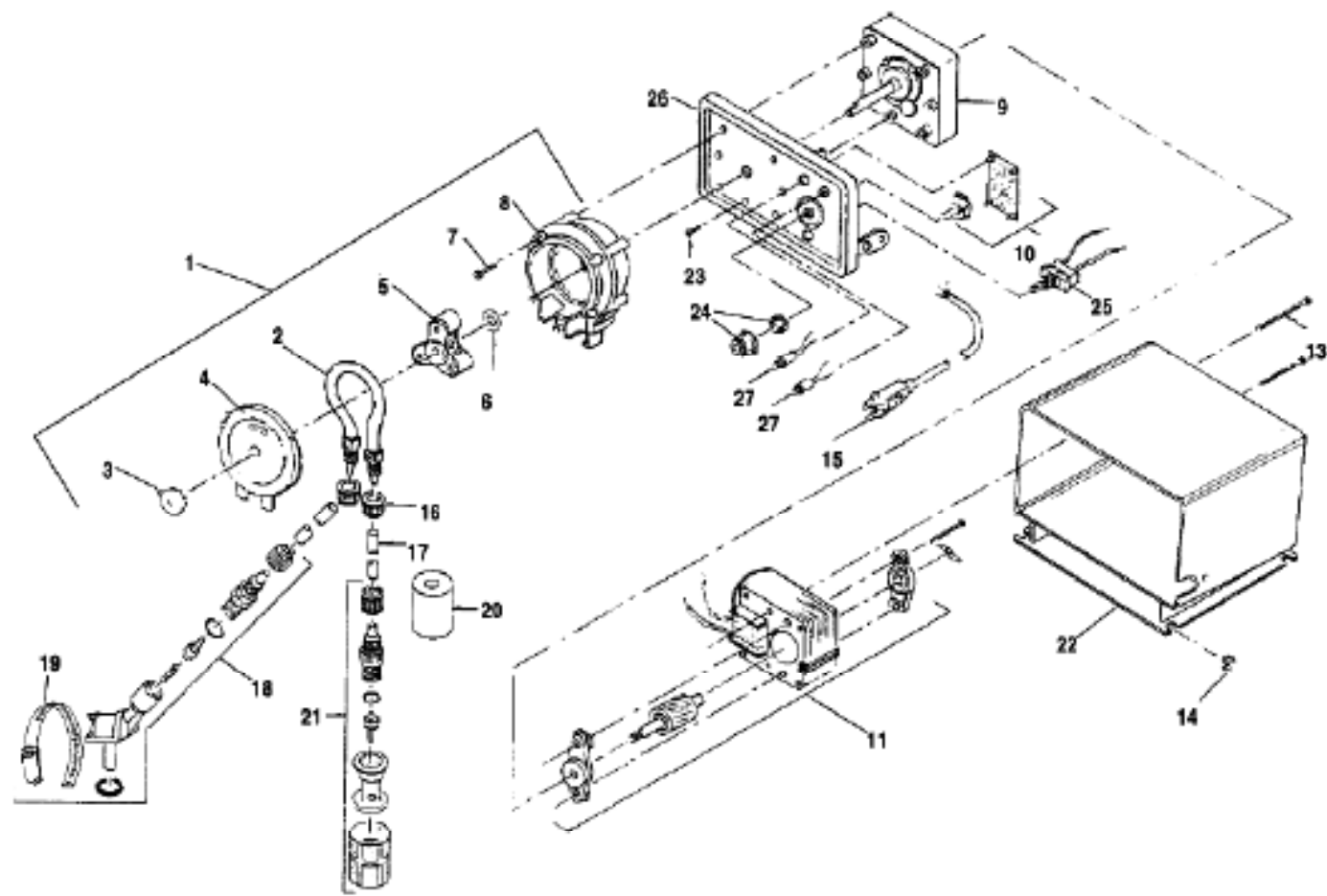
Key	Part#	SKU	Description
High Capacity HC-3305-3340 Replacement Parts			
1	RL72234	44413	Lock Ring
2	RL72383D	621711	Lid Assy.
3	RL72234K	44416	Drain or Vent Valve
4	O-30	65230	O-Ring, Vent Valve (RL72233)
5	RL72240	620362	O-Ring, Lid
6	RL72373	620728	Lock Screw
7	RL72374	620380	Lock Spring
8	RL72331	621710	Screen
9	RL72433	621708	Ball, Check Valve
11	RL72434	621708	Nipple, 1"
12	RL72033	621707	Union, 1" Thd.
13	RL72439	621706	Control Valve
15	RL72283	16388	Check Valve, 1-1/2 to 2"
16	RL72009	621703	Ball Valve, 1/2" PVC
17	RL72134	16377	PVC Plug, 1/2" MPT
	RL72082	621704	Flow Indicator

Waterway Chlorinators
In-Line Series

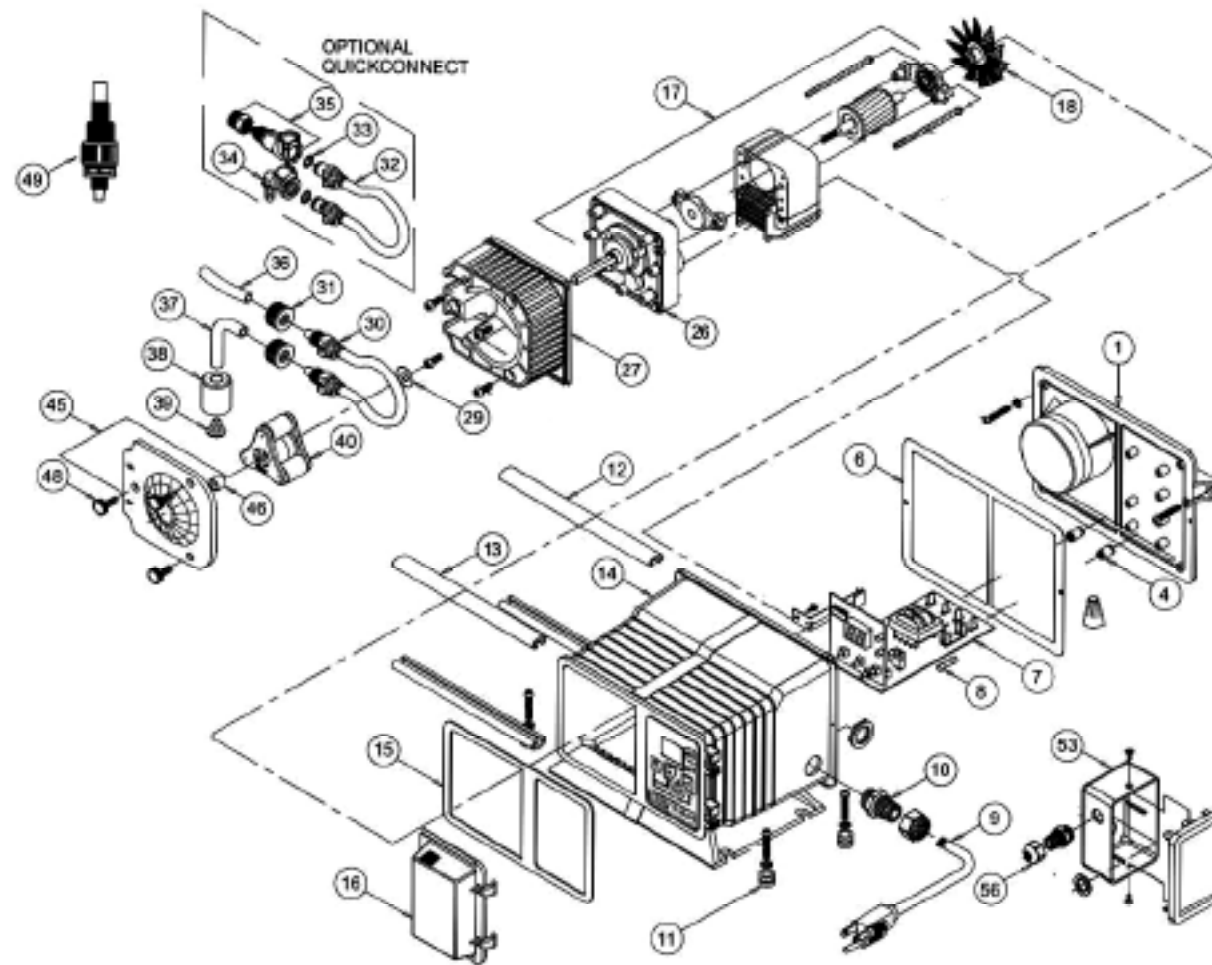
Key	Part#	SKU	Description
New Style 2007 - Present			
1	313-121D	CALL	The Lower Body
2	600-118D	CALL	Check Valve Assembly
3	413-117D	CALL	90° Elbow - 1/4"
4	600-1287	CALL	Valve Stem Assembly
5	313-117D	CALL	Upper Body
6	200-0340V	621339	O-Ring - Lid
7	319-1157	CALL	Lid
8	319-083D	CALL	Filter Screen
9a	421-487D	62043	Reducer - 1 1/2" S x 2" Spigot
9b	413-438D	62038	Reducer - 1 1/2" FPT x 2" Spigot
Style 2002-2007			
1	319-1157	CALL	Lid
2	200-0340V	621339	Lid O-Ring
3	319-083D	CALL	Filter Screen
4	413-117D	CALL	90° Elbow - 1/4" Pipe
5	600-118D	CALL	Check Valve Assembly
6	600-115D	621700	Stem Assembly with O-Ring
Style Pre-2002			
1	319-1181	634258	Lid
2	200-0340V	621339	O-Ring - Lid
3	319-0841	634274	Filter Screen
4	600-0821	634308	Valve Stem Assembly
5	421-487D	634261	Reducer - 1 1/2" Socket x 2" Spigot
6	400-0821	N/A	Discontinual - Elbow Assembly
7	372-225D	613694	1/2" Hose Clamp
8	319-7361	634273	3" Flex Hose
9	330-212D	N/A	Discontinual - Coupler Assembly
10	330-213D	634260	Bromine Connection Assembly for 1" Tablets



Blue-White Peristaltic Pumps
A-100



Blue-White Peristaltic Pumps
FlexFlo A-100M

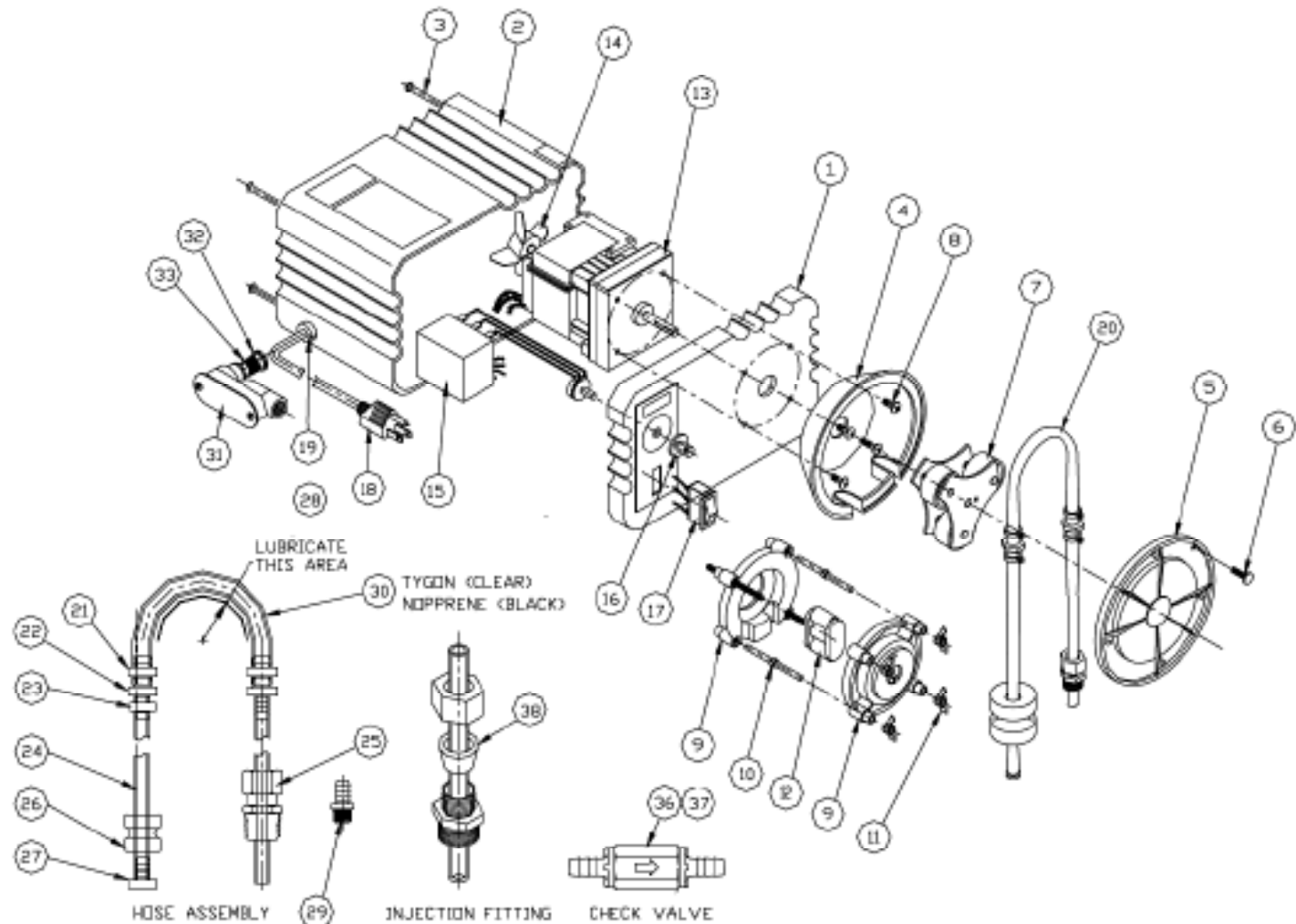


Key	Part#	SKU	Description	Key	Part#	SKU	Description
3-B	72001-057	620004	Pump Head (Less Tubing)	34	A-633	620061	Rubber Feet
2a	A-052-3M	620001	Tube Assy, 3/16" OD Neoprene	35	C-1328UL	620060	Power Card, 11.7V
2b	A-052-4M	620000	Tube Assy, 1/4" OD Neoprene	16a	C-330-4	620009	Nut, 1/4" Tubing
2c	A-052-6M	61762	Tube Assy, 3/8" OD Neoprene	16b	C-330-6	620008	Nut, 3/8" Tubing
2d	A-052-7M	620079	Tube Assy, 7/16" OD Neoprene	17a	C-332-4-30	61760	Tubing 1/4" ID x .100" PVC
2e	A-052-6	61763	Tube Assy, 3/8" OD Vinyl	17b	C-334-6-30	620004	Tubing 3/8" ID x .100" PVC
2f	A-052-4	620042	Tube Assy, 1/4" OD Vinyl	17c	3-334-6-25	620003	Tubing, 3/8" ID Vinyl
3	A-011	620002	End, Head Cover	18a	T-140-4V	620007	1/4" Saddle Fitting Kit
4	A-001	620045	Head Cover	18b	T-140-6V	61660	3/8" Saddle Fitting Kit
5	A-003	620041	Triple Boiler Assy.	19	CF-3040	620016	Saddle Clamp, 1-2.3" Pipe
6	A-031	620013	Head Spacer	20	CF-346	620006	Weight, Ceramic
7	A-004	62004	Screw, 3/4" Head	21a	C-340-V	620000	1/4" Fast Valve
8	A-000	620040	Head	21b	C-340M-6V	61600	3/8" Fast Valve, Std
9a	A-000-1	620071	Gearbox Assy, 14 RPM	21c	C-340M-6E	626152	3/8" Fast Valve, EP Seal
9b	A-000-2	620070	Gearbox Assy, 30 RPM	22	A-10	620020	Cover, Motor Housing
9c	A-000-3	620069	Gearbox Assy, 43 RPM	23	A-006	620076	Screw, 1/2" Panel
10a	A-029-M-B	620067	1 Min Timer, 11.7V Electronic	24	A-032	620073	Ends, Timer
10b	A-029-M-F	620066	6 Sec Timer, 11.7V Electronic	25	A-022	620074	Power Switch
11a	A-140-1	620063	Motor, 14 RPM 11.7V	26	A-007-B	620073	Front Panel
11b	A-300-2	620064	Motor, 30-43 RPM 11.7V	27a	B-212-1	620072	Indicator Light
13	A-028	620062	Screw, 3" Housing	27b	FX-100-6-23	61700	Indicator, 3/8" Chem. Feed

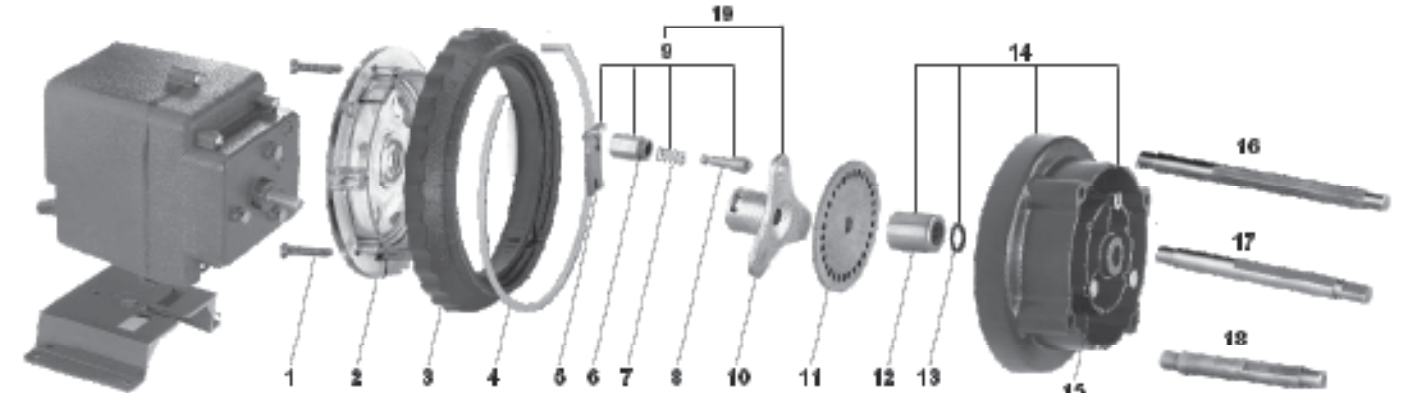
Key	Part#	SKU	Description	Key	Part#	SKU	Description
1	71000-234	CALL	Back Plate w/Gasket	27	76000-000	636908	Pump Head
6	90000-360	CALL	Gasket, Mounting Plate	28	90003-014	CALL	Spacer, Motor
7	62010-213	CALL	Digital Timer, Programmable	30a	73000-137	636909	Pump Tube, 0.37" OD Barb
8	90010-223	CALL	Fuse, Timer	30b	73000-138	636910	Pump Tube, 0.27" OD Barb
9a	71000-173	CALL	Power Card, 11.7V Digital	31	90002-047	636911	Compression Nut
9b	71000-177	CALL	Power Card, 230V Digital	32a	73000-134	636912	Pump Tube, 0.27" OD Quick
9c	90010-130	620060	620060 Power Card, 11.7V FlexFlo	32b	73000-133	636913	Pump Tube, 0.37" OD Quick
9d	90010-133	CALL	Power Card, 230V FlexFlo	33	90000-007	636904	O-Ring, Quick Disconnect
10	70000-369	CALL	Brushing, Cord	34	90000-299	636913	Adapter, Quick Disc 0.37 Inlet
11	90000-309	CALL	Mounting Feet, Rubber	35	90000-300	636916	Adapter, Quick Disc 0.37 Outlet
12	76000-000	CALL	Side Clamp, Rear	36	76000-168	636917	Tubing, Outlet 0.37" OD x 3ft
13	76000-009	CALL	Side Clamp, Front	37	90000-116	636920	Tubing, Inlet 0.37" OD x 3ft
14		CALL	Housing	38	90000-068	636919	Ceramic Weight
15	90000-379	CALL	Gasket, Front Panel	39	90002-200	636920	Shims, Inlet Tubing
16	90002-391	CALL	Door, Cartridge	40	73000-139	636922	Roller Assy.
17a	70002-346	616200	Gear Invol, 14 RPM 11.7V	41	90002-128	636923	Roller, Rear Half
17b	70002-347	616201	Gear Invol, 30 RPM 11.7V	42	90002-129	636923	Roller, Front Half
17c	70002-130	616202	Gear Invol, 14 RPM 230V	43	73000-136	CALL	Cover, Pump-Head
17d	70002-131	616203	Gear Invol, 30 RPM 230V	46	76000-000	CALL	Bearing Sleeve, Cover
18	90000-361	CALL	Motor Fan	48	90003-160	CALL	Screw, Pump-Head Cover
20a	70000-074	616204	Gearbox, 14 RPM	49	70000-439	636024	Injection Valve Assy.
20b	70000-073	616205	Gearbox, 30 RPM	53	70000-626	CALL	Junction Box Complete
20c	70000-076	616206	Gearbox, 43 RPM	56	90007-213	CALL	Bushing, Junction Box
20d	70000-227	616207	Gearbox, 60 RPM				

Roll-Chem Chemical Feeder Pumps
MC100, MC105, MC252, MC225 & MC253

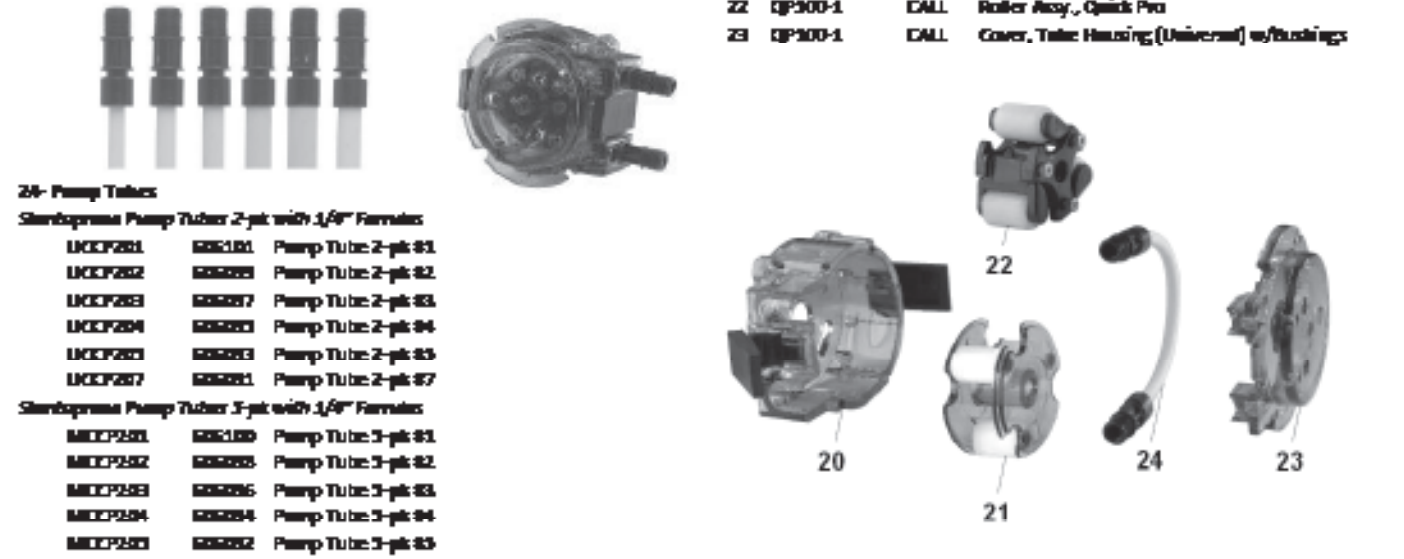
Stearmer Chemical Feeder Pumps
Classic & Quick Pro Series



Key	Part#	Sku	Description	Key	Part#	Sku	Description
1	32723	CALL	Enclosure Cover	17	324711	629632	3-Way Switch
2	327231	CALL	Enclosure Body	18	---	CALL	Power Card (Cassio & Factory)
3	32323	CALL	Screw, 10-24 x 4-1/2"	19	324870	CALL	Green nut
4	321732	CALL	Housing Body	20a	323232	617043	Hose Assy. 8" Complete
5	321731	CALL	Housing Cover	20b	323138	617046	Hose Assy. 13.5" Complete
6	323408	CALL	Lack Bolt	21	323134	617034	Hose Clamp (W) Plastic
7	323409	CALL	Belt, (T8 E-Roller)	22	328113	617047	Fitting, Hose Conn. 3/8" Barb.
8	323233	CALL	Screw, 10-24 x 3/8"	23	328130	617032	Hose Clamp (W)
9	321221	CALL	Pump Housing	24	328120	617030	Vinyl Tubing, 0.31x0.44 x 66"
10	323804	CALL	Brass Stud 10-32	25	327138	629637	Injection Fitting, Brass
11	323140	CALL	Nut 10-32	26	323130	617032	Hose Weight 7/16"
12	323332	629639	Belt, 2" H-Block	27	328112	CALL	Retainer, Hose Weight
13a	321838	617021	Gear Motor, 18 120V	28	323102	629633	Lubricant 3g
13b	321834	617022	Gear Motor, 18 240V	29	328113	617012	Adapter 1/4 MPT x 3/8 Barb.
13c	321833	617023	Gear Motor, 48 120V	30a	323231	617042	Nipprene Hose, 8"
13d	321835	617024	Gear Motor, 48 240V	30b	323134	617043	Nipprene Hose, 13.5"
13e	321816	617025	Gear Motor, 158 120V	30c	323230	617041	Tygon Hose, 8"
13f	321817	629640	Gear Motor, 158 240V	30d	323133	617044	Tygon Hose, 13.5"
13g	324734	617026	Gear Motor, 308 120V	31	324113	CALL	Junction Box
13h	324733	CALL	Gear Motor, 308 240V	32	324133	CALL	Nut, 1/2"
14	---	CALL	Fan (See Gear Motors Above)	33	324130	CALL	Nipple 1/2 x 1"
15a	324717	629675	Timer Assy. 120V	36	321160	617031	PVC Check Valve 3/8" Barb.
15b	324718	629680	Timer Assy. 240V	37	321170	617030	PVC Check Valve 1/4 MPT x 3/8 Barb.
16	321134	629645	Timer Knob	38	323113	617033	Secd. Injection Fitting



Key Part#	Sku	Description	Key Part#	Sku	Description	
Motor			Feed Rate Control Parts			
PM0041D	606170	For Adjustable Output 43 & 100 Series 120V	1	FC500A	606180	Screw, Mounting Plate
PM0042D	606168	For Adjustable Output 43 & 100 Series 240V	2	FC0000	606131	Mounting Plate
PM0061D	606163	For Adjustable Output 85 & 170 Series 120V	3	FC0004	606133	Dial Ring
PM0062D	606167	For Adjustable Output 85 & 170 Series 240V	4	UCFC04	606146	Variable Cam (2-pk)
ME0041D	606166	For Fixed Output 43 Series 120V	5	UCFC01	606142	Index Pin Lifter (2-pk)
ME0042D	606163	For Fixed Output 43 Series 240V	6	FC0008	606130	Holder, Index Pin
ME0061D	606164	For Fixed Output 85 Series 120V	7	FC0009	606134	Spring, Index Pin
ME0062D	606163	For Fixed Output 85 Series 240V	8	FC0002	606136	Index Pin
DM0041D	606162	For Fixed Output 100 Series 120V	9	UCFC04	606148	Index Pin Assy. (incl. 3-6) Each
DM0042D	606161	For Fixed Output 100 Series 240V	10	FC0003	606137	Index Spiter
DM0061D	606160	For Fixed Output 170 Series 120V	11	UCFC00	606144	Index Plate (each)
Quick Pro Pump Heads			Head Parts			
QPC01-1	CALL	Single Pump Head #1	12	FC3F00	606138	Roller Clutch
QPC02-1	---	Single Pump Head #2	13	FC0000	606136	O-Ring, 3/8"
QPC03-1	---	Single Pump Head #3	14	FC0005	606140	Feeder Housing Kit
QPC04-1	---	Single Pump Head #4	15	FC500C	606130	Mounting Blvd. C
QPC05-1	---	Single Pump Head #5	16	DM0400D	606130	Main Shaft, Double Adj. Head
Dual Pump Head			17	DM0400C	606145	Main Shaft, Dual Control Head
DP0001-1	CALL	Inner Pump Head #1	18	UCFC00	606132	Main Shaft, Single Head
DP0002-1	---	Inner Pump Head #2	19	FC0005	CALL	Spiter Assy. (incl. 9-10)
DP0003-1	---	Inner Pump Head #3	Head Parts			
DP0004-1	---	Inner Pump Head #4	20	QP000-1	CALL	Tube Housing (Universal) w/Latches
DP0005-1	---	Inner Pump Head #5	20a	QP000-2	CALL	Latches, 2-pk
			21	UC3ASD	606123	Roller Assy., Classic
			22	QP000-1	CALL	Roller Assy., Quick Pro
			23	QP000-1	CALL	Cover, Tube Housing (Universal) w/Bushings



Key Part#	Sku	Description
UCCP201	606181	Pump Tube 2-pk #1
UCCP202	606182	Pump Tube 2-pk #2
UCCP203	606187	Pump Tube 2-pk #3
UCCP204	606183	Pump Tube 2-pk #4
UCCP205	606185	Pump Tube 2-pk #5
UCCP207	606181	Pump Tube 2-pk #7
Stearmer Pump Tube 3-pk with 1/8" Ferrules		
MCCP201	606189	Pump Tube 3-pk #1
MCCP202	606188	Pump Tube 3-pk #2
MCCP203	606186	Pump Tube 3-pk #3
MCCP204	606184	Pump Tube 3-pk #4
MCCP205	606182	Pump Tube 3-pk #5

**Robo-Chem Chemical Feeders
Common Replacement Parts**

**Robo-Chem Chemical Feeders
Common Replacement Parts**



617031
Globe Flow Cell with Flow-switch
#530180



Quick Connect Valve
617030 1/4" Tubing #530054
617010 3/8" Tubing #6389490



625651
Probe Replacement Fittings
#530089



In-Line Filter Kit for Flow Cells
625677 1/4" Tubing #530390
617011 3/8" Tubing #530391



120V Solenoid In-Line Filter Check Valve
Solenoid Kit, 120V #530290
Includes Solenoid, In-Line Filter & Check Valve
625660



625664 Check Valve #521160
3/8" Hose Barb x 3/8" Hose Barb 617012 Check Valve #521170
3/8" Hose Barb x 3/8" MPT



625657 Injector Adapter
#521158 1/2" Brass Fitting 617012 Injection Adapter
#520113 1/4" Plastic Fitting



617013
ORP Gold Tip Probe #530201
For Salt Water Pools

Black Tubing
625632 1/4" #530027
16330 3/8" #530194

Controller Probes (Heavy Duty)
625693 ORP Probe #530136
625696 PH Probe #530135

Tubing Connectors
625646 1/4" Tube to Pipe #530026
625651 3/8" Tube to Pipe #530089

Key Part#	Sku	Description
-----------	-----	-------------

Injection Check Valves

UC200H1	605008	1/4" Check Valve, Duckbill & Ferrule (each)
MC200H1	605007	3-pk 1/4" Check Valve, Duck Bill & Ferrule Kit
UC300H	605004	3/8" Check Valve, Duckbill & Ferrule (each)
MC300H	605003	3-pk 3/8" Check Valve, Duckbill & Ferrule Kit

Injection Fittings

MC200H	621208	Injection Fitting with Nut & Ferrule 1/4" (each)
UC200H	605003	3-pk Injection Fitting with Nut & Ferrule 1/4" Kit
CV101/4	605073	Check Valve Injection Fitting 1/4" (each)
CV103/8	605072	Check Valve Injection Fitting 3/8" (each)
UC200H	605002	Santoprene® Duckbill, 2-pk
MC200H	605001	Santoprene® Duckbill, 3-pk
CV10R	605071	Santoprene® O-Ring (each)
UC200H	605002	Pellathane® Duckbill, 2-pk
MC200H	605001	Pellathane® Duckbill, 3-pk
TV10R	605070	Pellathane® O-Ring (each)

Common Parts

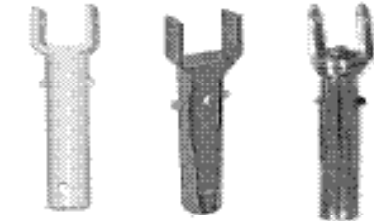
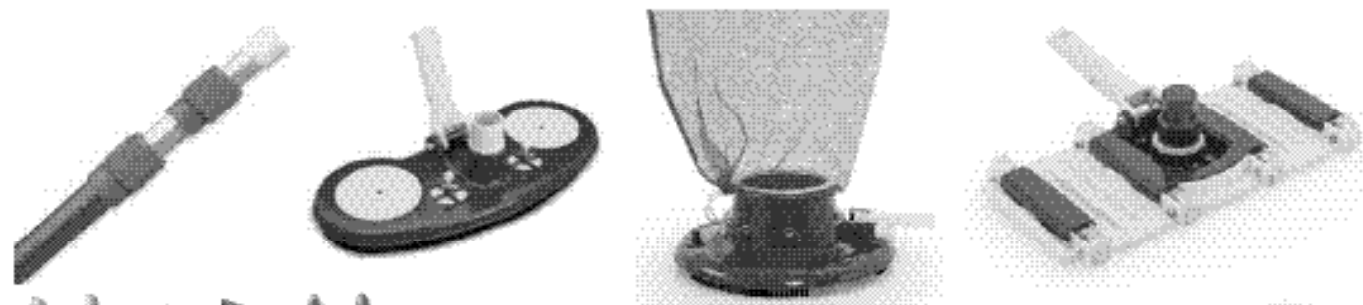
UC200H	605071	Connecting Nut 1/4", 10-pk
MC200H	605070	Connecting Nut 1/4", 24-pk
MC300H	605070	Connecting Nut 3/8" (each)
UC200H	605070	Connecting Nut 3/8" with Adpt. 2-pk
MC200H	605070	Connecting Nut 3/8" with Adpt. 3-pk
UC200H	605067	Ferrule 1/4", 10-pk
MC200H	605066	Ferrule 1/4", 24-pk
ST114	621209	Section Line Strainer 1/4", Weighted
ST118	605071	Section Line Strainer 3/8", Weighted
MA6CS6R	605074	ApexStitch® Lube, 8 oz. Tube (each)
AI500	605073	Flow Indicator 1/4" with Bracket
AI300	605072	Flow Indicator 3/8" with Bracket
AI500	605071	Bracket, Flow Indicator
F2000	605070	In-Line Filter Assy.

Discharge/Section Hoses

AI6402L	605061	NOHL 1/4" x 25' LW Black
AI6402W	605060	NOHL 1/4" x 25' White
AI6403L	605059	NOHL 1/4" x 50' LW Black
AI6403W	605058	NOHL 1/4" x 50' White
AI6430L	605057	NOHL 1/4" x 100' LW Black
AI6430W	605056	NOHL 1/4" x 100' White
MA1002L	605055	NOHL 3/8" x 25' LW Black
MA1002W	605054	NOHL 3/8" x 25' White
MA1003L	605053	NOHL 3/8" x 50' LW Black
MA1003W	605052	NOHL 3/8" x 50' White
MA1005L	605051	NOHL 3/8" x 100' LW Black
MA1005W	605050	NOHL 3/8" x 100' White



Cleaning Tool Parts



Vac Handle

- 20885 Plastic Handle w/Clip & Pin
- 611831 Chrome Handle
- 20979 Steel Swivel Handle
- 20978 Nut & Bolt (for Handle)



Snap Clips & Pins

- 20771 Clips, 3-pack
- 20896 Pin, for Vac Handle Each

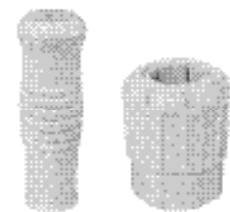


Vac Wheels

- 20940 Plastic Wheels, 4-pack
- 20996 Wheel w/Bearing Each
- 82712 Wheel, Polyurethane Each

Leaf Bagger Wheels

- 20956 Wheels 3-pack For Leaf Bagger



Telepole Parts

- 20790 Handle
- 20792 EZ Locking Cam



Vac Brushes

- 20884 3-Pack Brushes
- SPX1068G3



Leaf & Debris Bags

- 20116 Leaf Bag, Large
- 20118 AG Leaf Bag, Small
- 20110 Fine Mesh Bag, Large



Vac Hose Cuffs

- 22546 1-1/2" Standard
- 22549 1-1/2" Swivel
- 22543 1-1/4" AG Standard
- 22541 2" Commercial



Hose Adapters

- 68022 Hose Adapt. 1-1/2" to 1-1/4"
- 20792 Insert Hose Adapt. 1-1/2" Barb.



Hose Clamps

- 22102 Clamp 1" to 2-1/2" Stainless Steel



Elbow Hose Adapters

- 68177 Elbow Adapt. 1-1/2" to 1-1/4"
- 68078 Elbow Adapt. 1-1/2" Smooth



Hose Adapters & Menders

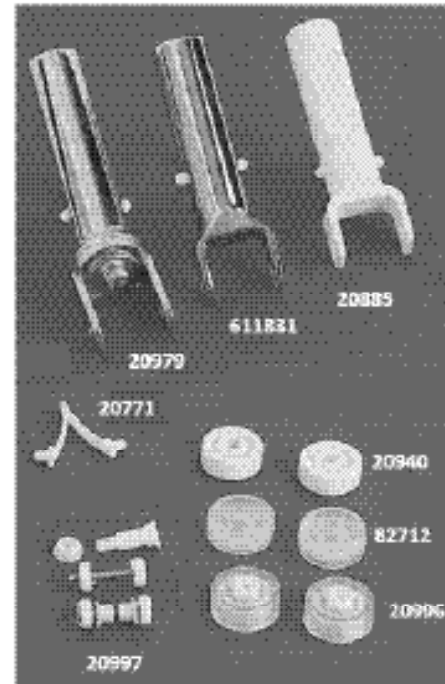
- 58893 Male Adapter (Inside)
- 58887 Female Adapter
- 22488 Hose Mender 1-1/2"



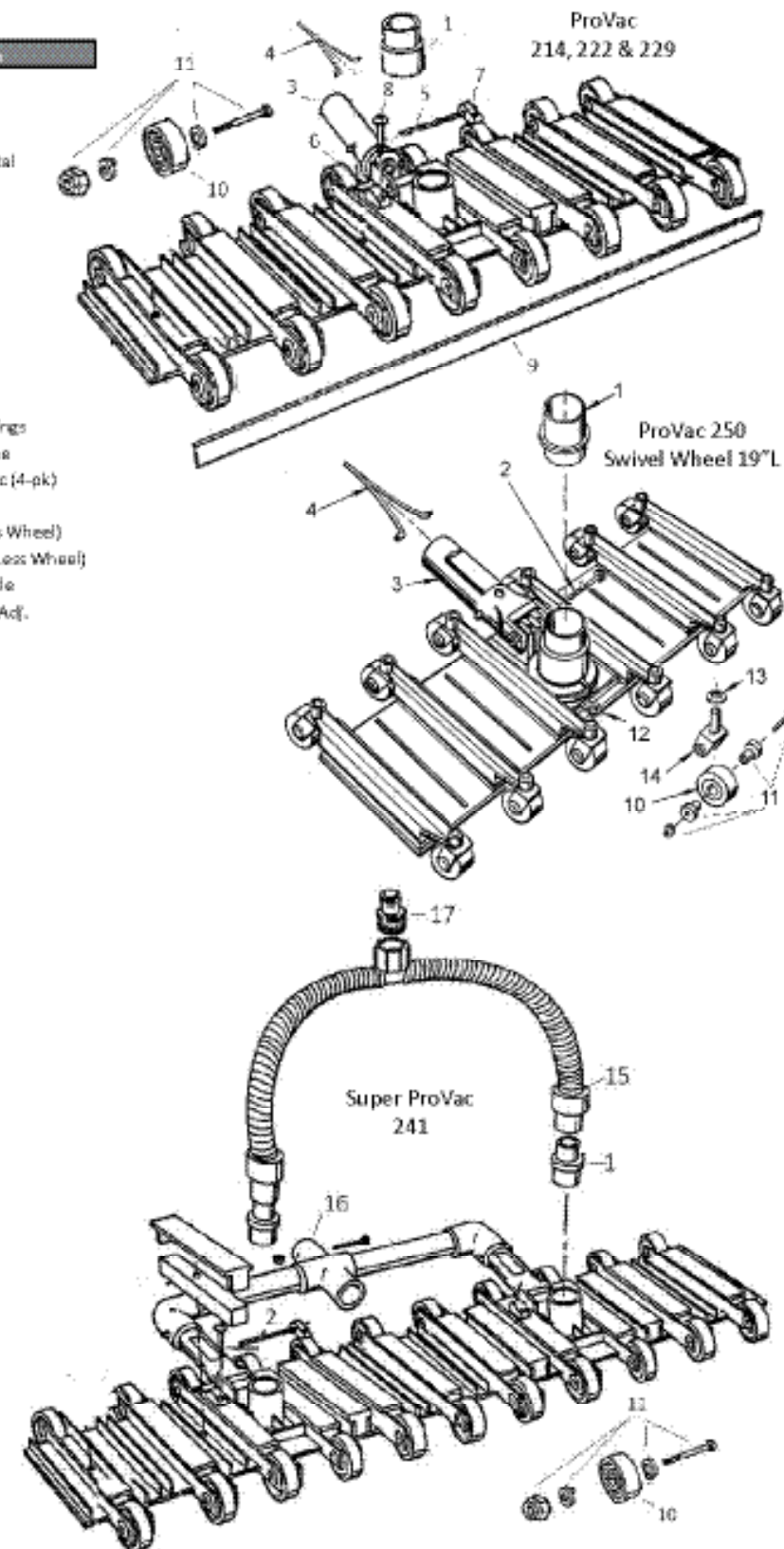
Vacuum Hoses

1-1/4" AG Vacuum Hoses		1-1/2" Vacuum Hoses		2" Vacuum Hoses	
SKU	Size	SKU	Size	SKU	Size
22462	18-ft.	22472	25-ft.	22482	50-ft.
22464	21-ft.	22474	35-ft.	22484	75-ft.
22466	27-ft.	22476	45-ft.	22488	100-ft.
22468	30-ft.	22478	50-ft.		
22470	36-ft.				

Qty	Part#	SKU	Description
1	R201566	20977	Swivel Adapter, Hose
2	R201496	20978	Nut & Bolt (Stainless)
3a	R201476	20885	Vac Handle Kit (Plastic)
3b	R201408	20979	Swivel Vac Handle, Metal
3c	R201421	611831	Metal Handle
4	R22001	20771	Snap Clips (3-pk)
5	R03161	20980	Shaft, Steel Handle
6	R03087	20981	Left Shaft Retainer
7	R03088	20982	Right Shaft Retainer
8	R01023	20983	Screw, Shaft Retainer
9a	R201776	20983	Flex Strip, White Sft
9b	R201778	20994	Flex Strip, Blue Sft
10a	R201498	20940	Plastic Wheel Kit (4-pk)
10b	R201557	20996	Wheel ea., w/Ball Bearings
10c	R03022	82712	Wheel ea., Polyurethane
10d	R201588	611830	Swivel Wheel Kit, Plastic (4-pk)
11a	R201456	20997	Axle Assy. (Less Wheel)
11b	R201470	611832	Axle Assy. For 209 (Less Wheel)
11c	R201686	82709	Axle Assy., For Swivel (Less Wheel)
12	R03058	82689	Retainer Clip, Swivel Axle
13	R201626	611833	Washer, Wheel Height Adj.
14	R03026	611832	Swivel Castor For 250
15	R201756	82688	Manifold Assy. For 241
16	R201780	611829	Handle T Assy.
17a	R03120	68129	Insert Adapter, 2"
17b	R03121	22473	Insert Adapter, 1-1/2"



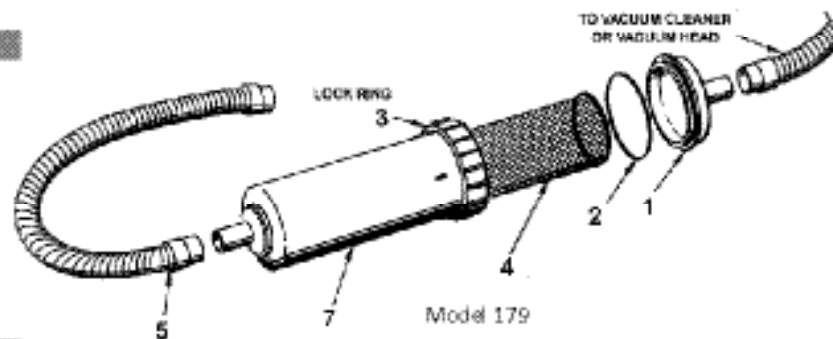
Vacuum Heads
Pentair Rainbow ProVac Commercial Grade Equipment



Leaf Canisters
Pentair Rainbow & Kreepy Krauly

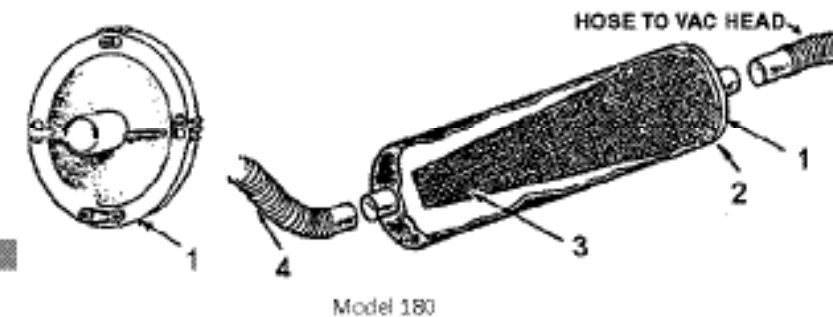
Pentair Leaf Traps Model 179 & 179C

Key	Part#	SKU	Description
1	R211506	611884	Lid
2	O-590	66220	O-Ring, Lid (R172223)
3	R172214	44415	Lock Ring
4a	R211516	20112	Mesh Bag
4b	R211518	611816	Sand/Silt Bag
4c	B-204	605701	Basket, Metal (R211526)
5	R211256	613532	VacHose 3-ft.



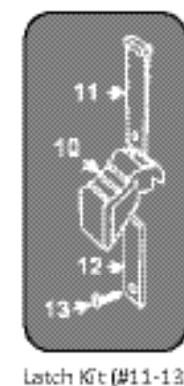
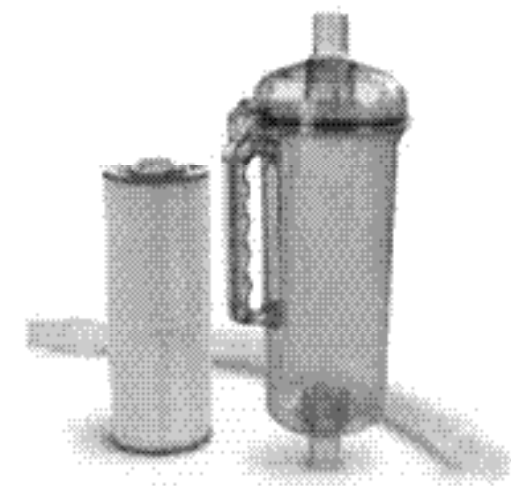
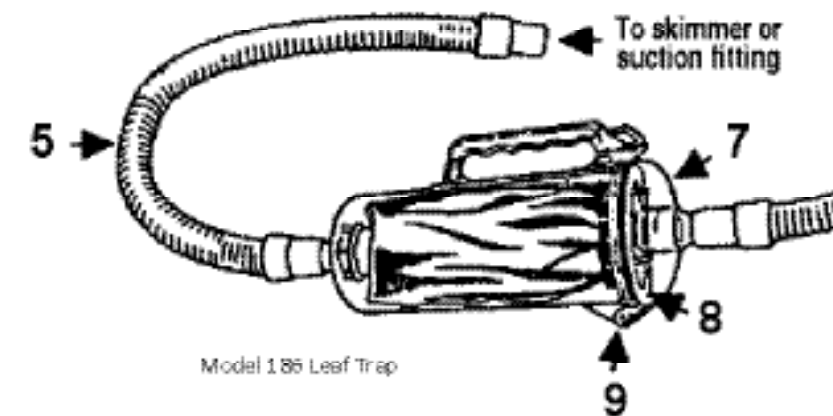
Pentair Leaf Trap Model 180

Key	Part#	SKU	Description
	R211016	20435	Canister w/Hose
1	R211206	20430	Lid
2	O-108	66380	O-Ring, Lid (R18608)
3a	R211216	20113	Mesh Bag
3b	R211226	611883	Canvas Bag
3c	B-201	20440	Basket, Metal (R211346)
4	R211256	613532	VacHose 3-ft.



Pentair Kreepy Krauly Leaf Canister Model 185

Key	Part#	SKU	Description
	R211084	62634	Canister 185-A
1	R211516	20112	Mesh Bag
2a	R211518	611816	Sand/Silt Bag
2b	R211526	605701	Basket, Metal
4a	PRB25-IN	46158	Cartridge, 25 SF (R172653)
4b	PRB50-IN	46159	Cartridge, 50 SF (R172654)
5a	62607	62607	APC Hose 4-ft. (Aqua) each
5b	R211256	613532	VacHose 1-1/2" x 3-ft.
5c	R211260	613533	VacHose 2" x 3-ft.
7a	R18650	20431	Lid, 1-1/2" Port
7b	R18651	611815	Lid, 2" Port
B-13	R211600	613432	Latch Kit (Items #B-13)
B	R172223	66220	O-Ring, Lid
9	R18654	611814	Pin, Handle
10	R18648	20432	Latch, Handle
11	R18655	611813	Latch Spring
12	R18656	611812	Latch Retainer
13	RB1845	608844	Screw, Latch



Latch Kit (#11-13)



1 2 3

Pool & Spa Light Bulbs
Replacement Guide



R40 Pool Reflector		G10 Pool Globe		R20-R40 Spa Reflectors		Halogen Capsule & MR16 12V		Halogen Mini-Can 120V		Halogen Clip-In T3 Tube 120V	
SKU	Description	SKU	Description	SKU	Description	SKU	Description	SKU	Description	SKU	Description
54050	12V 300W	54053	120V 400W	54046	PAR16 120V 60W	601637	RPG50 12V 50W	54046	120V 100W Thd.	621965	120V 300W (4-11/16" L)
603584	120V 300W			601626	R30 12V 100W	601636	RPG2100 12V 100W	54047	120V 200W Thd.	54045	120V 500W (4-11/16" L)
54054	120V 400W			54052	R30 12V 100W	601632	MR16 12V 75W	54043	120V 100W Bay.	621962	120V 150W (3-1/16" L)
54062	120V 500W					621430	MR16 12V 55W	54043	120V 100W Bay.		

LED Replacement Light Bulbs



Color Splash 3G (Left) Color LED Light Bulb
 54070 3G Pool 120V
 54072 3G Spa 120V
 54074 3G Pool 12V
 54076 3G Spa 12V

Color Splash 2G (Right) Color LED Light Bulb
 620818 2G Pool 120V
 620816 2G Spa 120V
 620819 2G Pool 12V
 620817 2G Spa 12V



Purewhite2 (Lower Right) White LED Light Bulb
 Equivalent to 45W 400W Bulb
 54082 PW2 Pool 120V
 54112 PW2 Mini Spa 120V
 54084 PW2 Large Spa 120V
 54081 PW2 Pool 12V
 54113 PW2 Mini Spa 12V
 54083 PW2 Large Spa 12V

Silicone Lens Gaskets
 Replacement Gaskets (Below)
 64501 For Pentair Lights
 64506 For Hayward Lights

- Brightest Color Changing Lamp
- Screws Into A Standard Socket
- Is Brighter Than 2G
- Brighter Light Ideal for Larger Pools
- Works With All Types of Pool Finishes
- 50,000 Hour Lamp Life

Light Fixture Lens & Gaskets

Manufacturer	Model	SKU	Description
Hayward	Astrolite	64520	Gasket, Lens
		54461	Light Lens, Clear
		54473	Lens Cover, Blue
		54471	Lens Cover Kit (4-color)
Pentair (American)	Amerlite	64500	Gasket, Lens
		54464	Light Lens, Clear
		54540	Wedge Anchor, Retainer
		54472	Lens Cover, Blue
		54474	Lens Cover, Red
		54480	Lens Cover Kit (4-color)
Pentair (American)	Aqualight	64505	Gasket, Lens
		611148	Light Lens, Clear
		54476	Lens Cover, Blue
Sta-Rite	Swimquip	64563	Gasket, Lens
		54482	Light Lens, Clear



Light Lens Covers & Gaskets

Pool & Spa Light Fixtures Replacement Parts Guide

Pool & Spa Light Fixtures Replacement Parts Guide



Hayward Astrolite (Pool)		Hayward Duralite		Hayward Elite (J&J Pool)	
SKU	Description	SKU	Description	SKU	Description
608376	Face Ring, Stainless Steel	628378	Face Ring, Smooth Plastic	613012	Light Lens
608377	Face Ring, Plastic	628611	Housing, Clamp w/Bolt & Nut	613013	Gasket, Lens
34348	Lock-screw Wedge, Face Ring	34461	Light Lens, 7-3/16" Dia.	626489	Lens Cover Kit (3-Colors)
608379	Lock-screw, Face Ring	64328	Gasket, Lens	613014	Light Bulb, 12V 30W MR16
608373	Clamp w/Bolt & Nut	34348	Lock-screw Wedge, Face Ring		
34461	Light Lens, 7-3/16" Dia.	34471	Lens Cover Kit (4-Colors)		
64328	Gasket, Lens	34473	Lens Cover, Blue		
34038	Light Bulb, 12V 300W R40	34038	Light Bulb, 12V 300W R40		
34033	Light Bulb, 120V 400W E26	628384	Light Bulb, 120V 300W R40		
608384	Light Bulb, 120V 300W R40	34034	Light Bulb, 120V 400W R40		
34034	Light Bulb, 120V 400W R40	34062	Light Bulb, 120V 300W R40		
34062	Light Bulb, 120V 300W R40				
34471	Lens Cover Kit (4-Colors)				
34473	Lens Cover, Blue				

Pentair Americite		Pentair SAM/SAM Spectrum Americite		Pentair Aquatic Light/Spectrite	
SKU	Description	SKU	Description	SKU	Description
608382	Face Ring, Stainless Steel	Pentair SAM Spectrum Americite		611038	Face Ring, Stainless Steel
608381	Wire Clamp Assy., Face Ring	618302	Face Ring, Stainless Steel	34680	Locking Screw w/Gasket
613326	Face Ring Cover, Plastic White	608326	Face Ring, Plastic White	34348	Lock-screw Wedge, Face Ring
613323	Face Ring Cover, Plastic Grey	608323	Face Ring, Plastic Grey	611602	Wire Clamp Assy.
613324	Face Ring Cover, Plastic Black	613324	Face Ring, Plastic Black	611348	Light Lens 4" dia.
34348	Lock-screw Wedge, Face Ring	34680	Locking Screw w/Gasket	64005	Gasket, Lens
34680	Locking Screw w/Gasket	34348	Lock-screw Wedge, Face Ring	608377	Silicone Gasket
34413	Hex Clip (each)	618301	Wire Clamp Assy.	34476	Lens Cover, Blue
34383	Screw, Clip (each)	613399	Light Lens	34479	Lens Cover, Red
34464	Light Lens 3-3/8" dia.	64300	Gasket, Lens	613388	Lens Cover Kit (6-Colors)
64300	Gasket, Light Lens	34683	Retaining Nut	608632	Light Bulb, 12V 75W MR16
64301	Silicone Gasket, Light Lens	618632	Light Bulb 12V 75W MR	608626	Light Bulb, 12V 100W R20
34480	Lens Cover Kit (4-Colors)	Pentair SAM Spa Spectrum Aquatic		34065	Light Bulb, 120V 60W PAR16
34472	Lens Cover, Blue	611018	Face Ring, Stainless Steel	34046	Light Bulb, 120V 100W Halogen Thru
34474	Lens Cover, Red	608378	Lock-screw w/Gasket	34047	Light Bulb, 120V 200W Halogen Thru
34032	Light Bulb, 12V 100W R30	611602	Wire Clamp Assy.	34042	Light Bulb, 120V 100W Halogen Bay
34030	Light Bulb, 12V 300W R40	622476	Light Lens 4-1/16" dia.	34043	Light Bulb, 120V 200W Halogen Bay
34033	Light Bulb, 120V 400W Clear Globe	64302	Gasket, Lens		
608384	Light Bulb, 120V 300W R40	622373	Light Bulb, 30W MR16		
34034	Light Bulb, 120V 400W R40	622419	Light Bulb, 30W MR11		
34062	Light Bulb, 120V 300W R40				



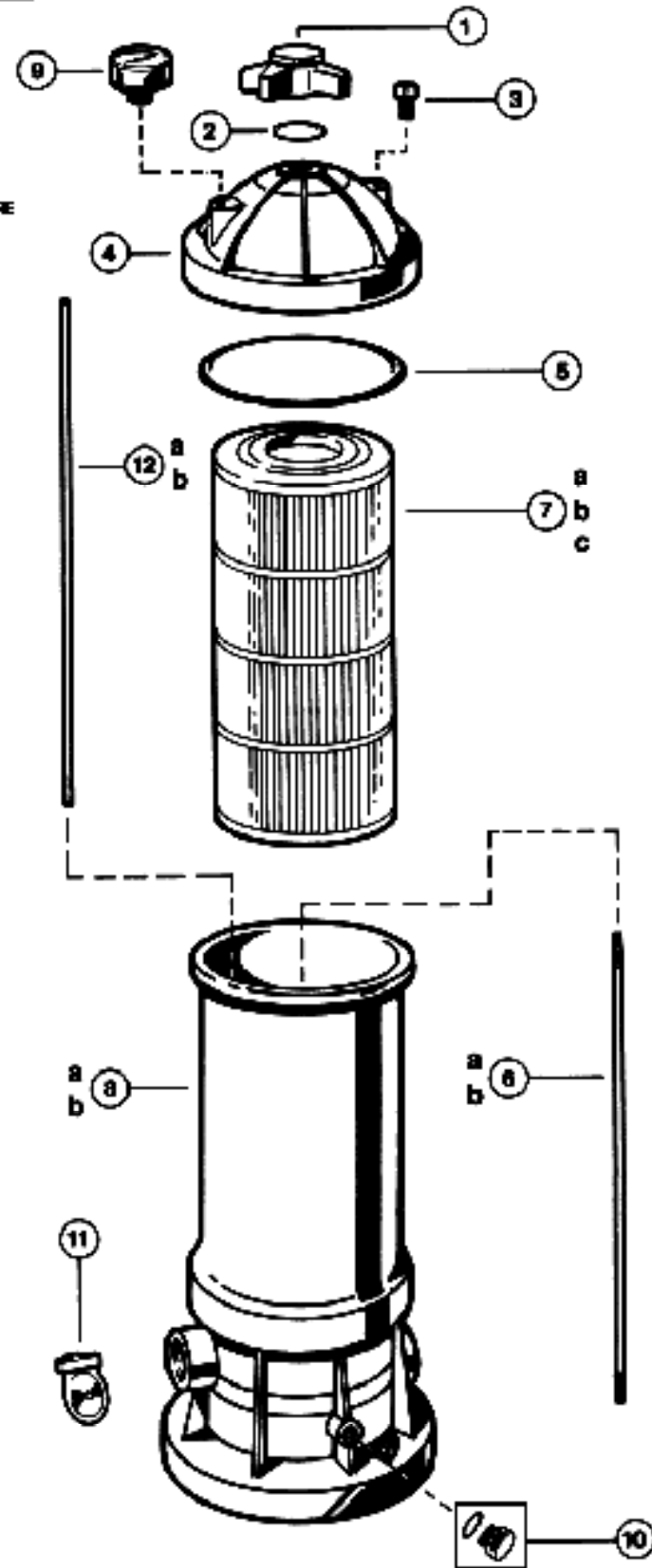
Pentair Aquaticmaster (J&J Pool)		Hayward Astrolite II (Spa)		Pentair Aquaticmaster	
SKU	Description	SKU	Description	SKU	Description
622331	Lens Cover Kit (Blue & Green)	608378	Face Ring, Stainless Steel	628380	Face Ring, White (Aquaticmaster II)
608342	Lens Cover, Red	608369	Light Lens, 3-3/8" dia.	628381	Face Ring, White (Aquaticmaster II)
622283	Lens Cover, Blue	608603	Gasket, Lens	628383	Screw, Retaining
34049	Bulb Assy.	608368	Lock-screw, Face Ring	628381	Lens Replacement Kit (Aquaticmaster III)
66600	O-Ring, Bulb Assy.	608367	Lens Cover Kit (Blue & Red)	628382	Light Lens 7-3/8" dia. (Aquaticmaster II)
608380	Flare Director	608626	Light Bulb, 12V 100W R20	628383	Gasket, Lens
608389	Wall Fitting, Threaded	34065	Light Bulb, 120V 60W PAR16	622630	Bulb Kit, 12V 100W (Aquaticmaster II)
608391	Fitting Body	608632	Light Bulb, 12V 75W MR16	628382	Sealing Screw (each) SS-required
608388	Nut, Fitting	34046	Light Bulb, 120V 100W Halogen	628485	Lens Cover Kit (4-Colors) (Aquaticmaster II)
608641	Gasket, Liner (ea.)	34047	Light Bulb, 120V 200W Halogen	628380	Lens Cover, Blue (Aquaticmaster II)
608347	Plug Cap (Red)			628387	Lens Cover, Red (Aquaticmaster II)
34702	Fountain Attachment			608683	Light Bulb, 12V 100W T3 3-1/4" Tube
34700	Pool Cleaner Attachment			621982	Light Bulb, 120V 200W T3 3-1/16" Tube
608493	Fitting Attachment			612988	Light Bulb, 120V 200W T3 3-1/4" Tube

Sea-Rite Swimming		Sea-Rite Sandrite		Sea-Rite Strongline	
SKU	Description	SKU	Description	SKU	Description
34482	Light Lens 7-1/4" dia.	608624	Lens Cover, Blue	608349	Lockscrew, Face Frame
64302	Gasket, Lens	608623	Lens Cover, Red	608633	Light Lens, Clear
34032	Light Bulb, 12V 100W R30	618637	Light Bulb 30W 12V Halogen	608704	Gasket, Lens
34030	Light Bulb, 12V 300W R40	618636	Light Bulb 300W 12V Halogen	608620	Clamp, Fixture
608384	Light Bulb, 120V 300W R40	611963	Light Bulb 300W 120V Halogen	34030	Light Bulb, 12V 300W Refl.
34034	Light Bulb, 120V 400W R40	34043	Light Bulb 300W 120V Halogen	608384	Light Bulb, 120V 300W Refl.
34062	Light Bulb, 120V 300W R40	618633	Light Lens	34062	Light Bulb, 120V 300W Refl.
		621661	Gasket Repair Kit Includes Clamp		
		621817	Face Ring Kit w/Gasket & Clamp		
		609349	Retaining Screw		

Hayward Cartridge Filters
Star-Clear II
C300, C1100 & C1500

Key	Part#	SKU	Description
1	D6800G	44349	Locking Knobs
2	D-82	6622E	O-Ring, Knob (DEX2027)
3	ED0322A	44887	Air Release Valve
4	D6800C	44199	Tank Lid
5	D-365	6432Z	O-Ring, Lid (C300/C)
6a	D6800Z	62810Z	Tie Band (C300)
6b	D01300Z	62810H	Tie Band (C1100)
7a	PA100	4612Z	Cartridge Element (C300 & C1100™) C300/C
7b	PA100	4612E	Cartridge Element (C1100) C01300/E
-	D01300C	44300	Cartridge Adapt. (C1100™)
7c	D01300H	4671Z	Bag, Separation Tank
8a	D6800A	CALL	Filter Tank Body - 1 1/2" (C300)
8b	D01300A	CALL	Filter Tank Body - 1 1/2" (C1100)
9	44311	44311	PSI Gauge (ECC27090)
10	D023024A	1633E	Drain Plug w/O-Ring
11	D6800H	62811E	Check Valve (Optional)
12a	D6800M	44851	Air Relief Tube (C300)
12b	D01300M	44852	Air Relief Tube (C1100)

For C1100 Use 2x C300 Cartridges.



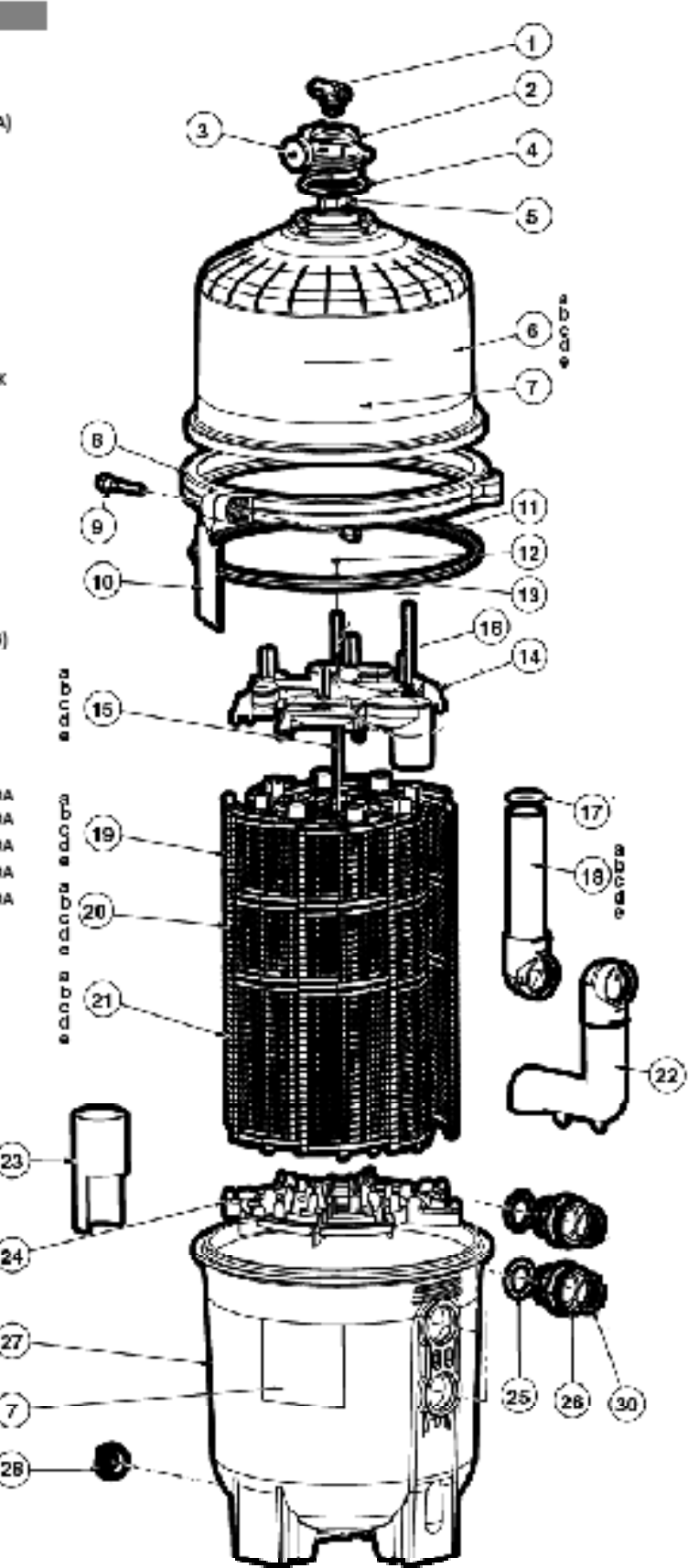
Hayward DE Filters
ProGrid
DE420, DE620, DE820, DE6020 & DE720

Key	Part#	SKU	Description
1	ED0300V	44379	Air Release Valve
2	DEX24020AMZ	44877	Manual Air Release Assy.
3	44311	44311	PSI Gauge (ECC271201)
4	D-204 BT	65206	O-Ring Kit, Air Valve (DEX24020A)
5	ED0300H	62480L	Mat, Air Valve
6a	DEX24020TC	44871	Tank Lid, 24SF
6b	DEX36020TC	44872	Tank Lid, 36SF
6c	DEX48020TC	613677	Tank Lid, 48SF
6d	DEX60020TC	44874	Tank Lid, 60SF
6e	DEX72020TC	44875	Tank Lid, 72SF
8	DEX2421MTT	44878	Tank Clamp Assy. (2009-)
9	DEX2421LZ	44879	Mat. & Bolt, Clamp (2009-)
11a	DEX2422ZZ	44880	Metal Reinforced Seal (2009-)
11b	D-429	65209	O-ring, Tank (Pre-2009) DEX2400K
12	ED0170853	619164	Mat, 3/16" -38
13	ED01109	40223	Washer, 3/16"
14	DEX2400C	44433	Top Mount
13a	DEX2400R	44640	Retaining Ring, 24SF
13b	DEX3600R	44641	Retaining Ring, 36SF
13c	DEX4800R	44642	Retaining Ring, 48SF
13d	DEX6000R	44643	Retaining Ring, 60SF
13e	DEX7200R	613100	Retaining Ring, 72SF
16	DEX2400CX	44629	Flex Air Release Tube
17	D-424	65272	O-Ring, Outlet Elbow (DEX2400Z)
18a	DEX2400EA	613111	Outlet Elbow, 24SF
18b	DEX3600EA	613112	Outlet Elbow, 36SF
18c	DEX4800EA	613113	Outlet Elbow, 48SF
18d	DEX6000EA	613119	Outlet Elbow, 60SF
18e	DEX7200EA	613118	Outlet Elbow, 72SF
20a	FC300	46200	Full Grid, 24SF (7 Req.) DEX2400DA
20b	FC300	46202	Full Grid, 36SF (7 Req.) DEX3600DA
20c	FC300	46204	Full Grid, 48SF (7 Req.) DEX4800DA
20d	FC300	46206	Full Grid, 60SF (7 Req.) DEX6000DA
20e	FC300	46208	Full Grid, 72SF (7 Req.) DEX7200DA
21a	FCM20	46210	Partial Grid, 24SF (DEX2400Z)
21b	FCM30	46212	Partial Grid, 36SF (DEX3600Z)
21c	FCM40	46214	Partial Grid, 48SF (DEX4800Z)
21d	FCM60	46216	Partial Grid, 60SF (DEX6000Z)
21e	FCM80	46218	Partial Grid, 72SF (DEX7200Z)
22	DEX2400GA	613093	Inlet Elbow
23	DEX2400T	613089	Grid Spacer (24SF Only)
24	DEX2400H	44200	Element Spreader
25	SG22ZZ	6524Z	O-Ring, Bulkhead
26	DEX2400F	61309Z	Bulkhead Fitting
27	DEX2400ATC	44876	Tank Bottom
28	SP18ZZC	44200	Drain Plug, 1-1/2" w/O-Ring
30	D-64	65203	O-Ring, Union (SG2000)

NOTE:
Pre-2009 Tank Clamps (DEX2400C) are no longer available; replace entire clamp assembly and seal ring. Current seal ring and previous tank O-rings are not interchangeable. Use item # (SDU-44878) above.

8-PACK Replacement Elements Sets
7-Full Grids + 1-Partial Grids

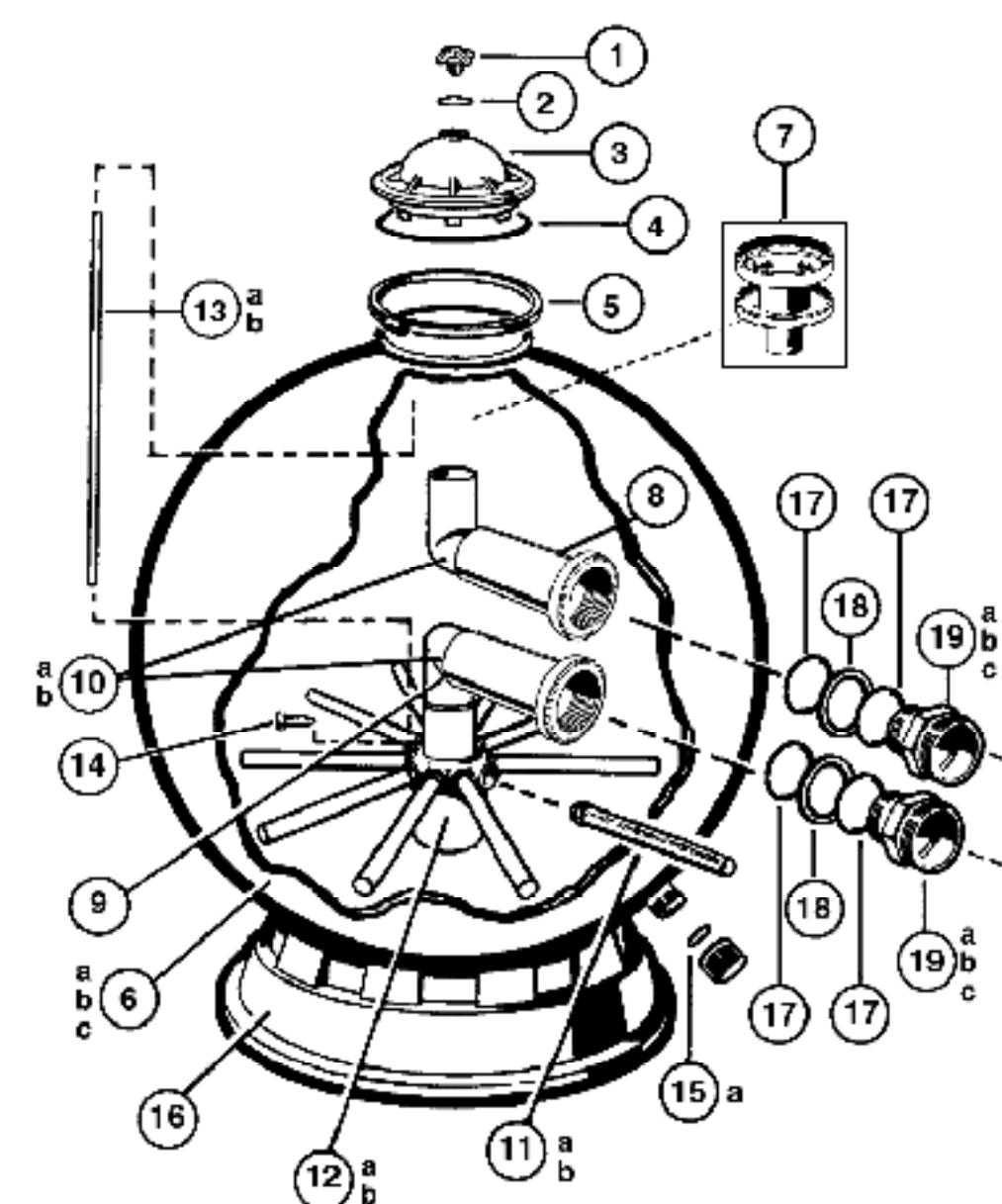
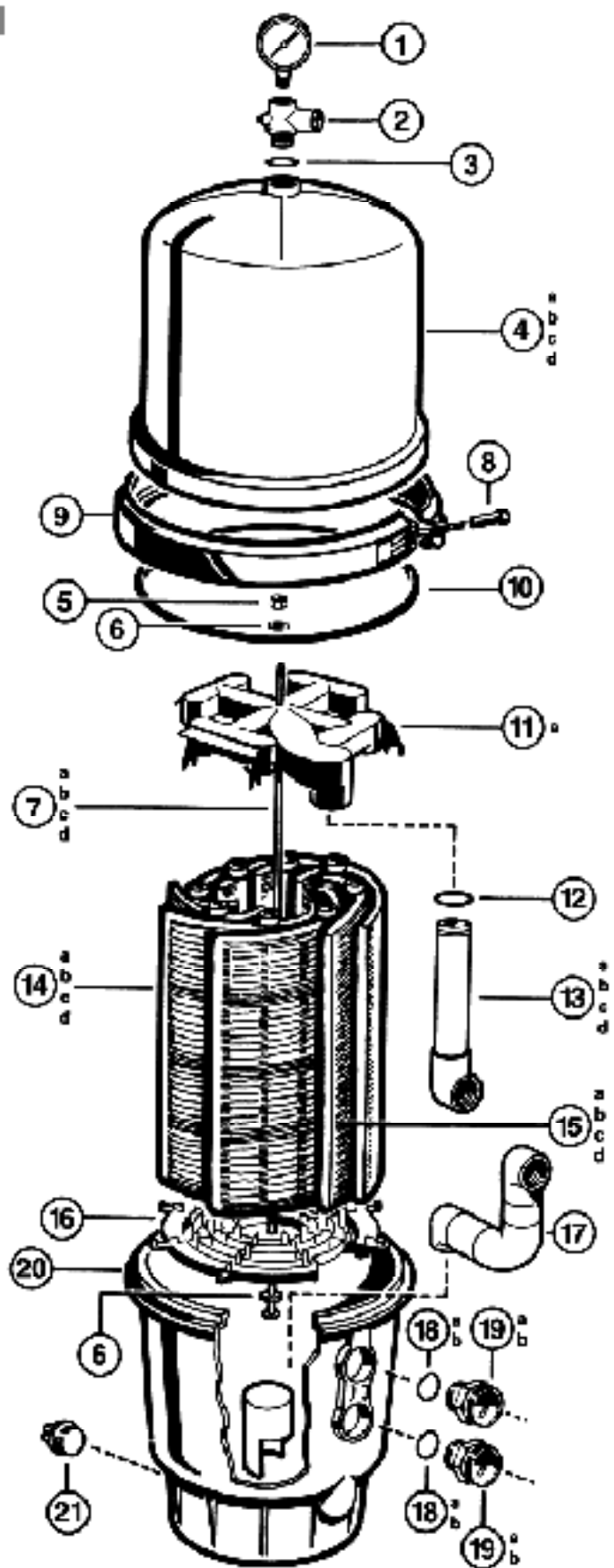
46200	24 SF
46206	36 SF
46207	48 SF
46208	60 SF
46209	72 SF



Hayward DE Filters
Micro-Clear
DE2400, DE3600, DE4800, DE6000 & DE7200

Hayward Sand Filters
Pro Series Plus S311-360

Key	Part#	Sku	Description
1	44300	44300	PSI Gauge (ECCZ70861)
2	DEG24005	44325	Air Release Valve & Adapter
3	O-27	66205	O-ring, Air Valve (SG20025)
4	Varies by Model	M/A	Discontinues-Tank Top
5	ECR176261	609364	Mat 3/16", Retaining Ring
6	ECR1185	48223	Washer 3/16", Retaining Ring
7a	DEG24000L	44640	Retaining Box, DE2400
7b	DEG3600L	44631	Retaining Box, DE3600
7c	DEG4800L	44642	Retaining Box, DE4800
7d	DEG6000L	44643	Retaining Box, DE6000
8	DEG2400UM	M/A	Discontinues-Flt. Clamp
9	DEG2400U	M/A	Discontinues-Tank Clamp
10	O-429	66269	O-ring, Tank Top (DEG24005)
11a	DEG2400E	44433	Manifold
11b	DEG2400ER	44820	Flex Air Release Sock
12	O-424	66272	O-ring, Outlet Elbow (DEG2400E)
13a	DEG2400EAB	44237	Outlet Elbow, 24SF (2007-)
13b	DEG3600EAB	602353	Outlet Elbow, 36SF (2007-)
13c	DEG4800EAB	602352	Outlet Elbow, 48SF (2007-)
13d	DEG6000EAB	602351	Outlet Elbow, 60SF (2007-)
14a	FC3920	46200	Full Grid, 24SF (7 Req.) (DEG24000A)
14b	FC3930	46202	Full Grid, 36SF (7 Req.) (DEG36000A)
14c	FC3940	46204	Full Grid, 48SF (7 Req.) (DEG48000A)
14d	FC3900	46206	Full Grid, 60SF (7 Req.) (DEG60000A)
15a	FC3420	46210	Partial Grid, 24SF (DEG24000E)
15b	FC3430	46212	Partial Grid, 36SF (DEG36000E)
15c	FC3440	46214	Partial Grid, 48SF (DEG48000E)
15d	FC3430	46216	Partial Grid, 60SF (DEG60000E)
16	DEG2400H	44280	Spacer, Grid
17	DEG2400EAB	602361	Inlet Elbow
18a	O-246	60863	O-ring, Bu Inhead (1996-) SG20021
18b	O-43	66230	O-ring, Bu Inhead (Pre-1993) SG20023
19a	DEG240E	602360	Ballhead Fitting (1997-)
19b	DEG36E	44853	Ballhead Fitting (Pre-1996)
20	DEG2400ALT	M/A	Discontinues-Tank Bottom
21	SP3022C	44208	Drain Plug w/O-ring 1-1/2"
22	O-64	66233	O-ring, Backwash Valve (SG20024)



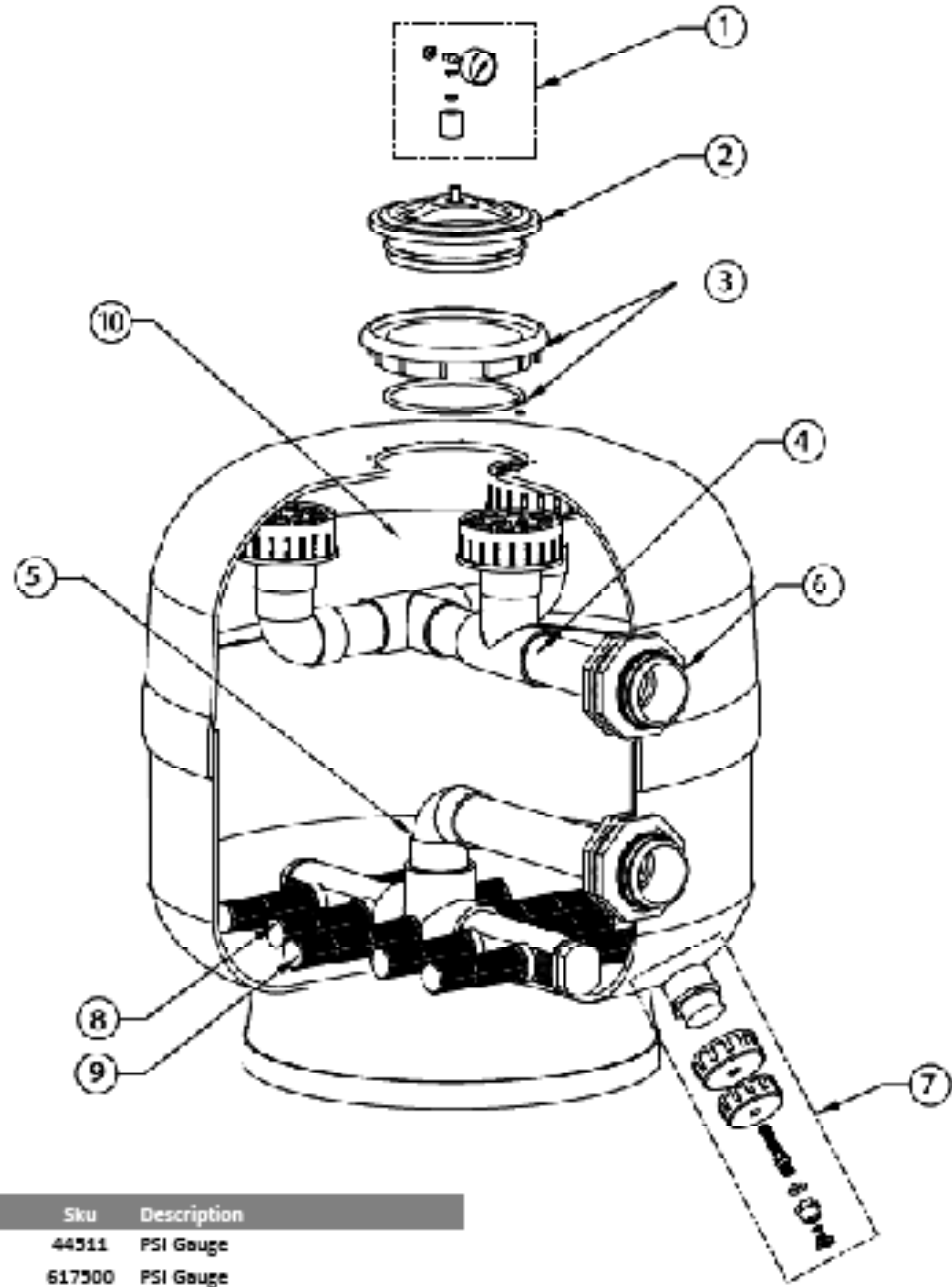
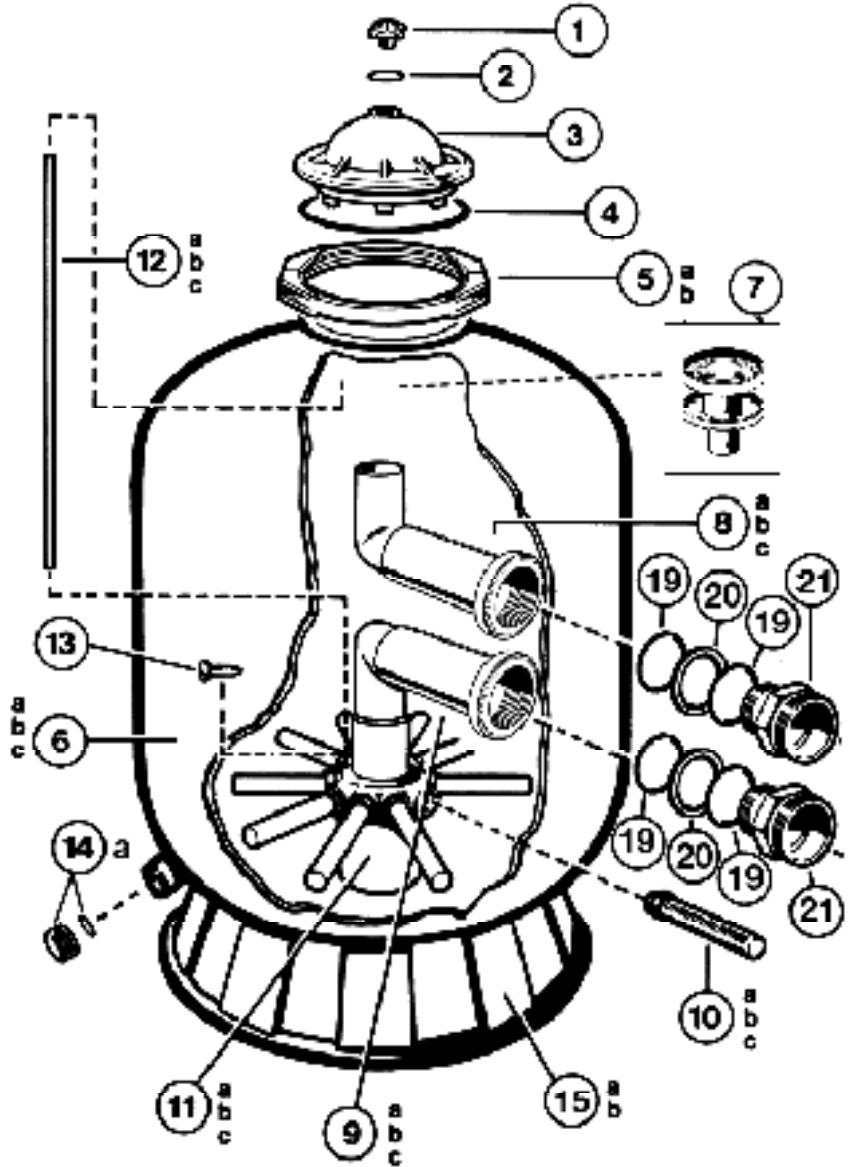
24-PACE Replacement Elements Sets
7-Full Grids + 1-Partial Grids

46803	24 SF
46806	36 SF
46807	48 SF
46808	60 SF
46809	72 SF

Key	Part#	Sku	Description	Key	Part#	Sku	Description
1a	SG2005	44023	Air Release Cap	11a	SG3300A	602779	Lateral (Pre-2000)
1b	DEG24005	44325	Air Release Valve	12a	SG3310A	601494	Folding Lateral Holder, S311 (1997-)
*	ECCZ70861	44311	PSI Gauge (for MPV Valve)	12b	SG242MA3	602355	Folding Lateral Holder, S360
*	ECCZ70861	44300	PSI Gauge (for Air Release Valve)	13a	CR110008	44852	Air Tube, S311
2	O-27	66205	O-ring, Cap (SG20025)	13b	SG40022	602263	Air Tube, S360
3	SG244E	44353	Cover	14	SG20022	44623	Screen, Air Tube
4	O-263	66282	O-ring, Cover (SG20022)	15a	SG1800A	44284	Drain Cap & Screen Assy.
5	SG3300	44821	Flange Clamp, Cover	15b	SG1800G	44282	Drain Cap (Pre-2000)
6a	SG331AA2FW	602367	Tank, S311 (1996-)	—	SG200H	44624	Screen, Bottom Drain (Pre-2000)
6b	SG400AA2FW	613330	Tank, S360 (1999-)	16	SG330	602378	Filter Support Stand
7	SG244G	44382	Top Diffuser Assy.	17	O-246	60863	O-ring, Bu Inhead (1996-) SG20021
8	SG331C01FW	602390	Top Elbow, S311 (1996-)	18	SG400E	60861	Spacer, Ballhead (1993-)
9	SG331C02FW	602363	Bottom Elbow, S360 (1996-)	19a	SG244F	602376	Ballhead Fitting (1997-)*
10a	SG400C0FW	613060	Elbow Assy., S360 (1999-)	19b	SG31F	602261	*Ballhead Fitting, S360 (Pre-1997)
10b	SG400C1	602379	Elbow Assy., S360 (Pre-1999)	19c	DEG36E	44853	*Ballhead Fitting, S311 (Pre-1997)
11a	SG3300M	44330	Lateral	21	O-64	66233	O-ring, Backwash Valve (SG20024)

Hayward Sand Filters
Pro Series Side-Mount
S2105-S3305

Hayward Sand Filters
HCF

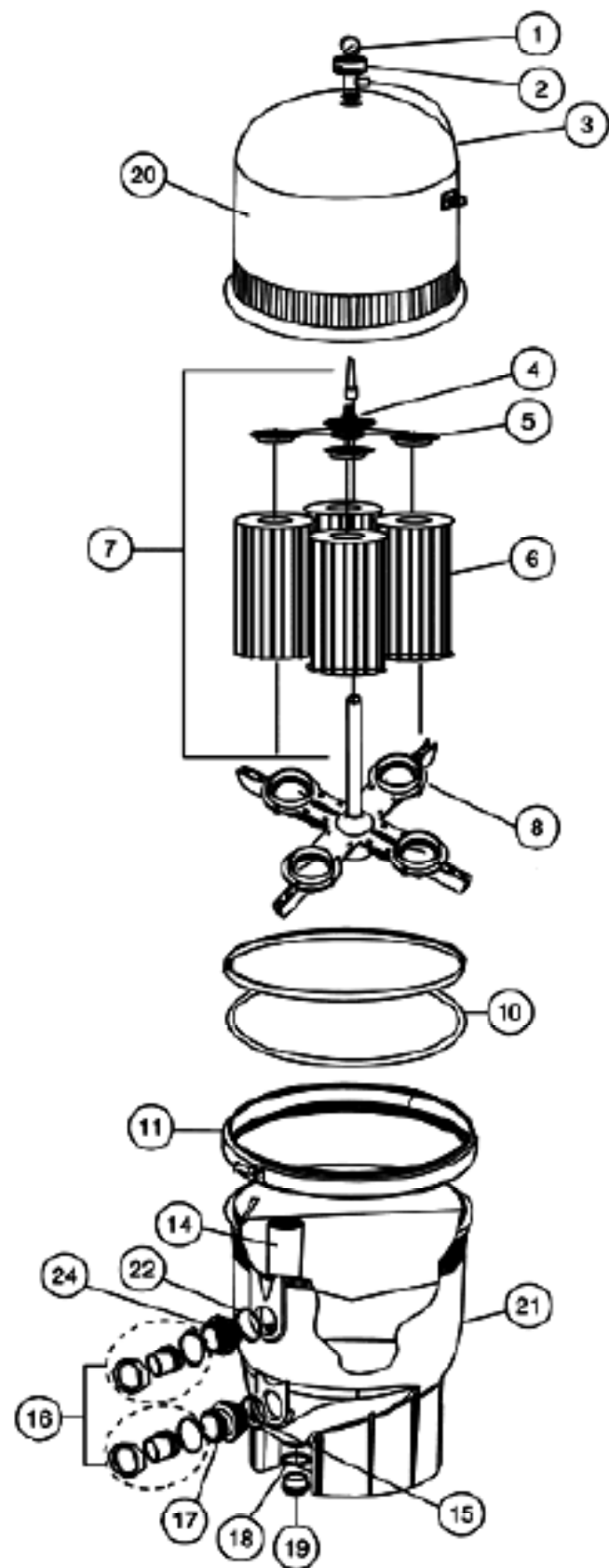


Key	Part#	SKU	Description	Key	Part#	SKU	Description
1	SG288G	44023	Air Release Cap	18c	SG288HM	44328	Lateral, S330
2	O-27	66205	O-ring, Cap (SG288G)	13a	SG2428M	44361	Folding Lateral Holder, S210
3	SG244E	44358	Flange Carrier	11b	SG2428M1	44371	Folding Lateral Holder, S244
4	O-26E	66282	O-ring, Cover (SG244E)	11c	SG2428M2	66297	Folding Lateral Holder, S310
3a	SG0028HM	44326	Flange Clamp	12a	CG3005Z	44896	Air Tube, S230
3b	SG318M	44521	Flange Clamp, S3105	12b	CG11059Z	44892	Air Tube, S244
6a	SG218AA2FW	682370	Filter Tank, S210 (1997-)	12c	SG288Z1	681302	Air Tube, S330
6b	SG244AA2FW	682369	Filter Tank, S244 (1996-)	13	SG288Z2	4462E	Screen, Air Tube
7	SG318AA2FW	682368	Filter Tank, S310 (1996-)	14a	SG088A	44284	Drain Cap & Screen
8	SG218C11PW	682351	Top Elbow, S210 (1996-)	14b	SG088G	44282	Drain Cap (Pre-2000)
8b	SG244C11PW	682359	Top Elbow, S244 (1996-)	—	SG288H	44624	Screen, Drain Cap (Pre-2000)
8c	SG318C12PW	682364	Top Elbow, S310 (1996-)	13a	SG288U	681488	Filter Support Stand, S210-244
9a	SG218C12PW	682365	Bottom Elbow, S230 (1996-)	13b	SG288U	682178	Filter Support Stand, S310
9b	SG244C12PW	682367	Bottom Elbow, S244 (1996-)	17	O-64	6629E	O-ring, Backwash Valve (SG288G)
9c	SG318C12PW	682364	Bottom Elbow, S330 (1996-)	19	O-24E	6888E	O-ring, Bulbhead Fitting (SG288Z)
10a	SG288GM	44365	Lateral, S230	20	SG68Z	68881	Spacer, Bulbhead Fitting
10b	SG248GM	44369	Lateral, S230-S244	21	SG244P	682176	Bulbhead Fitting (1996-)

Key	Part#	SKU	Description
1a		44511	PSI Gauge
1b	HCFZ780001	617500	PSI Gauge
2	HCFZ780002	617501	Filter Lid
3	HCFZ780003	617502	Mesh Assy.
4	HCFZ78024E	617503	Diffuser Assy. HCF36Z
	HCFZ78024E	617504	Diffuser Assy. HCF36Z
	HCFZ78024E	617505	Diffuser Assy. HCF36E
5	HCFZ780244	617506	Lateral Manifold HCF36Z
	HCFZ780244	617507	Lateral Manifold HCF36Z
	HCFZ780244	617508	Lateral Manifold HCF36Z
6	BFAN02KES	617509	Bulbhead Fitting HCF36Z-36Z
	BFAN02KES	617510	Bulbhead Fitting HCF36E
7	HCFZ780004	617511	Drain Assy.
8	HCFZ78024T	617512	Lateral HCF36Z
	HCFZ78024T	617513	Lateral HCF36Z
	HCFZ78024T	617514	Lateral HCF36E
9	HCFZ780004	617515	Lateral Kit HCF36Z-36E

**Pentair Cartridge Filters
Clean & Clear Plus**

Key	Part#	Sku	Description
1	44318	44318	PSI Gauge (150000)
2	9622000	44095	Air Release Valve, Mismatch
4	170016	602172	Compression Spring
3a	170025	602167	Top Mount, 240SF
3b	170027	602168	Top Mount, 320-320SF
6a	PLC30	46005	Cartridge, 60SF For 240 (81.73172)
6b	PLC30	46006	Cartridge, 60SF For 320 (81.73173)
6c	PLC30	46008	Cartridge, 120SF For 420 (81.73176)
6d	PLC30	46060	Cartridge, 130SF For 320 (81.73178)
7a	170030	602171	Air Tube, 240
7b	170029	602170	Air Tube, 320
7c	170028	602169	Air Tube, 420
7d	170031	602166	Air Tube, 320
8a	170040	622135	Bottom Mount Kit (2000-)
8b	170033	602173	Bottom Mount Kit (1999-2000)
10	35016200	64900	O-ring, Tank
11	190003	602439	Tank Clamp
12a	35000200	44033	Washer, Clamp
12b	190010	602303	Washer, Small
13	35010000	602971	Spring Barrel & Nut
14	190009	602174	Ballcock Assy.
15	86000200	602304	O-ring, Ballcock
16a	271006	44021	Ballcock Union
16b	270004	622132	Ballcock Union 1-1/2 - 2", Black
16c	270100	621253	Ballcock Union 2 - 2-1/2", Black
17	170032	602175	Bottom Outlet Pipe
18a	191474	602136	O-ring, Drain Plug (2000-)
18b	O-71	66011	O-ring, Drain Plug (2000-2000) 310000
18c	86000200	602349	Gasket, Drain Cap (Pre-1998)
18d	86000200	44008	Drain Plug w/O-ring, 1-1/2"
19a	31116200	602231	Drain Cap
19c	190030	622420	Drain Plug (2000-)
20a	170023	622724	Tank Top, 240
20b	170024	622747	Tank Top, 320
20c	170031	622764	Tank Top, 420
20d	170032	622784	Tank Top, 320
21	170078	622817	Tank Bottom
22a	O-409	66480	O-ring, Outlet Pipe (192300)
22b	86000200	602304	O-ring, Ballcock (Pre-1998)
23	190009	622139	Spacer Ring, (2000-)
24	194001	44152	Ballcock Adapter

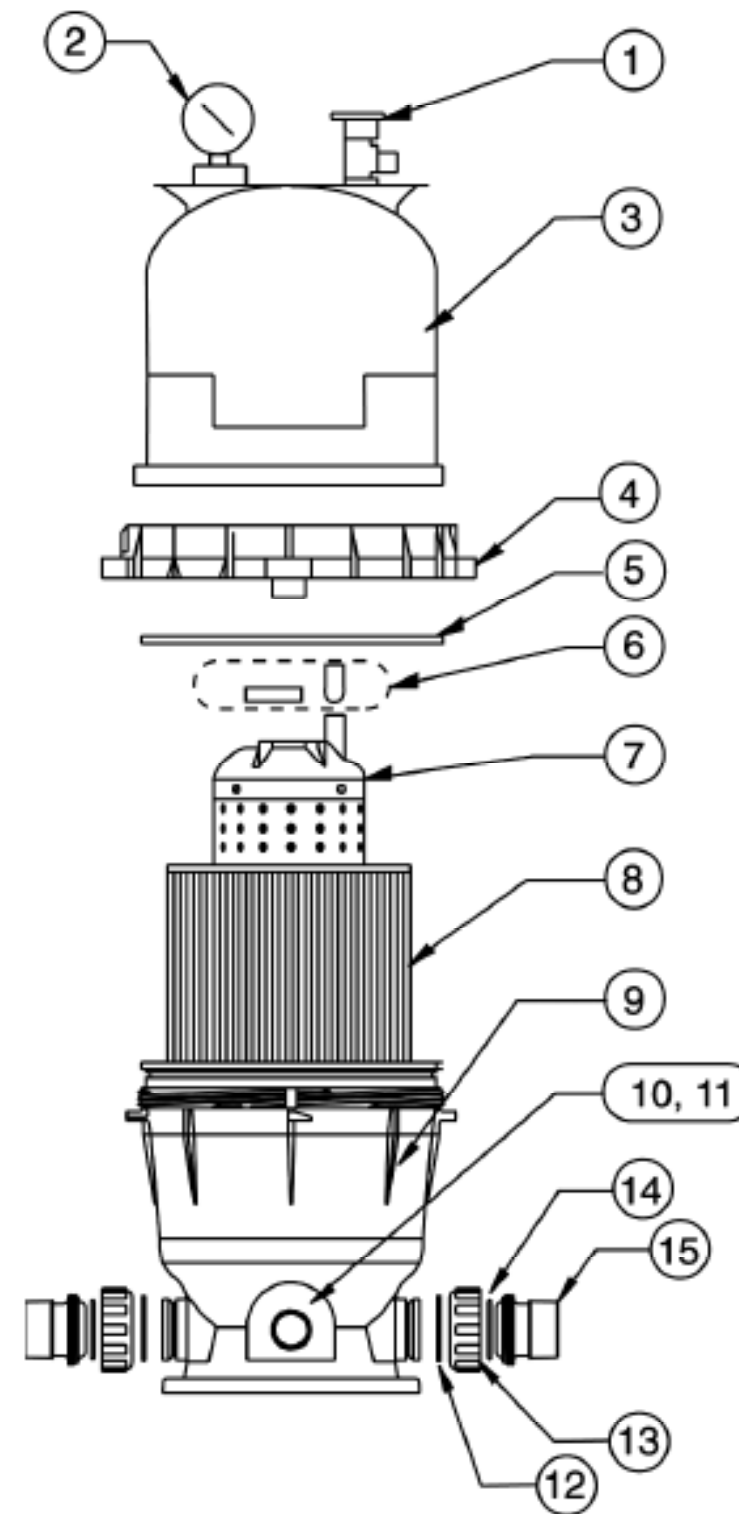


4-PACK Replacement Elements Sets

- 46016 CC Plus 240
- 46017 CC Plus 320
- 46018 CC Plus 420
- 46019 CC Plus 320

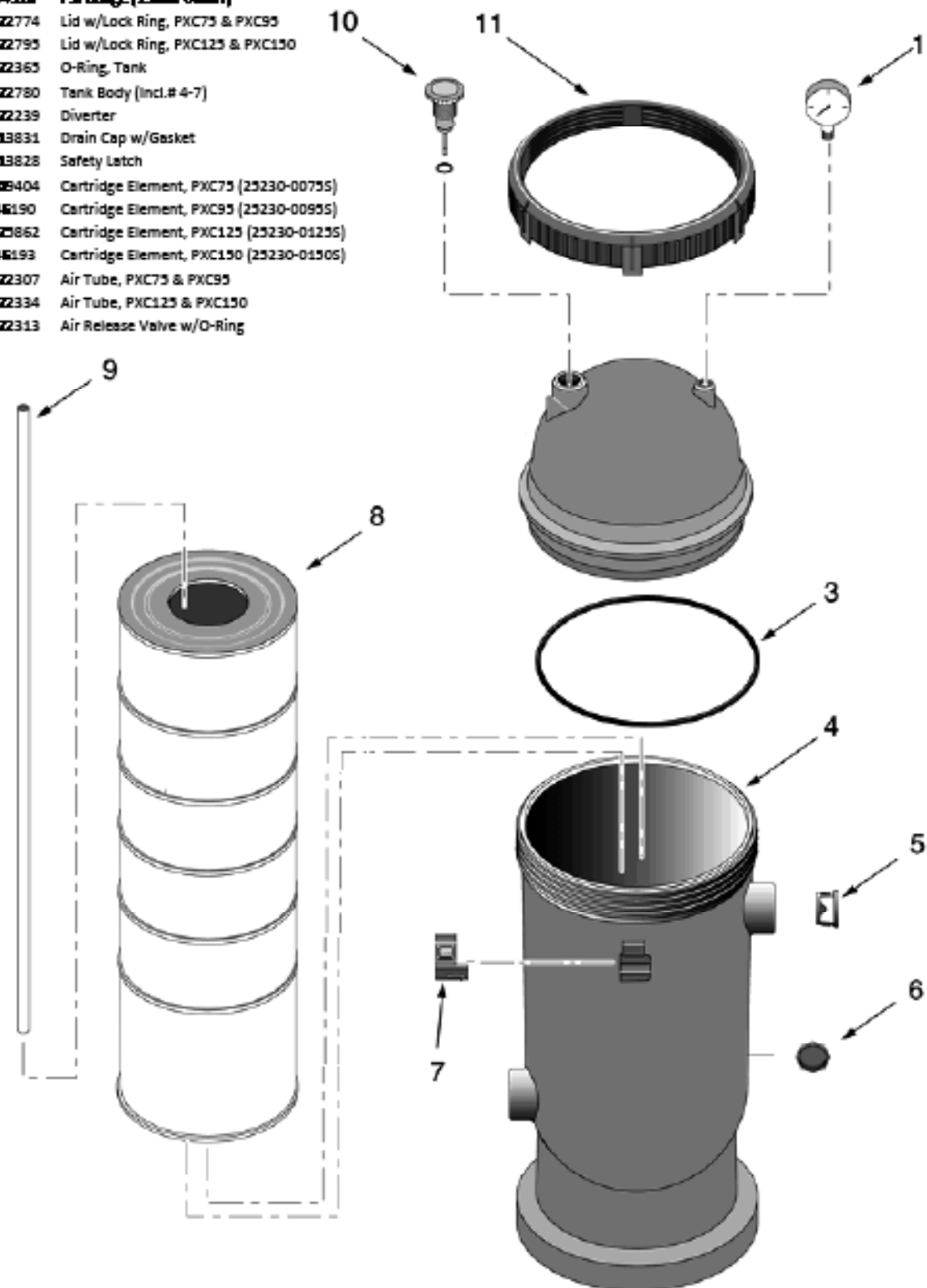
**Pentair Cartridge Filters
Predator & Clean & Clear**

Key	Part#	Sku	Description
1	9622000	44095	Air Release Valve, Mismatch
2	44318	44318	PSI Gauge (150000)
3a	170033	602231	List, 30 & 100 SF
3b	170031	602230	List, 71, 130 & 200 SF
4	35002000	602229	Lock Ring Assy.
5	87300400	66309	O-Ring, Tank
6	35016200	602227	Adapt. Socket, Air Tube
7a	35000000	602226	Center Core, 30 SF
7b	35000000	602225	Center Core, 75 SF
7c	35000700	602224	Center Core, 300 SF
7d	35000000	602223	Center Core, 130 & 200 SF
8a	PAP58	46061	Cartridge Element, 30 SF (81.73213)
8b	PAP73	46062	Cartridge Element, 75 SF (81.73214)
8c	PAP100	46063	Cartridge Element, 300 SF (81.73215)
8d	PAP130	46064	Cartridge Element, 130 SF (81.73216)
8e	PAP200	46065	Cartridge Element, 200 SF (81.73217)
9a	170032	602228	Tank Bottom, 30 SF
9b	170034	602219	Tank Bottom, 75 SF
9c	170033	602218	Tank Bottom, 300 SF
9d	170030	602217	Tank Bottom, 130 & 200 SF
10a	31116200	602231	Drain Cap (Pre-1998)
10b	86000200	602285	Drain Plug, 1-1/2 w/O-ring (1998-)
11a	86000200	602349	Gasket, Drain Cap (Pre-1998)
11b	O-71	66011	O-ring, Drain Plug (1998- 310000)
12	35010400	600233	"C"-Clip, Union Nut
13	96212000	600234	Nut, Union
14	O-64	66233	O-ring, union (871426)
15	79304000	602216	Ballcock Fitting

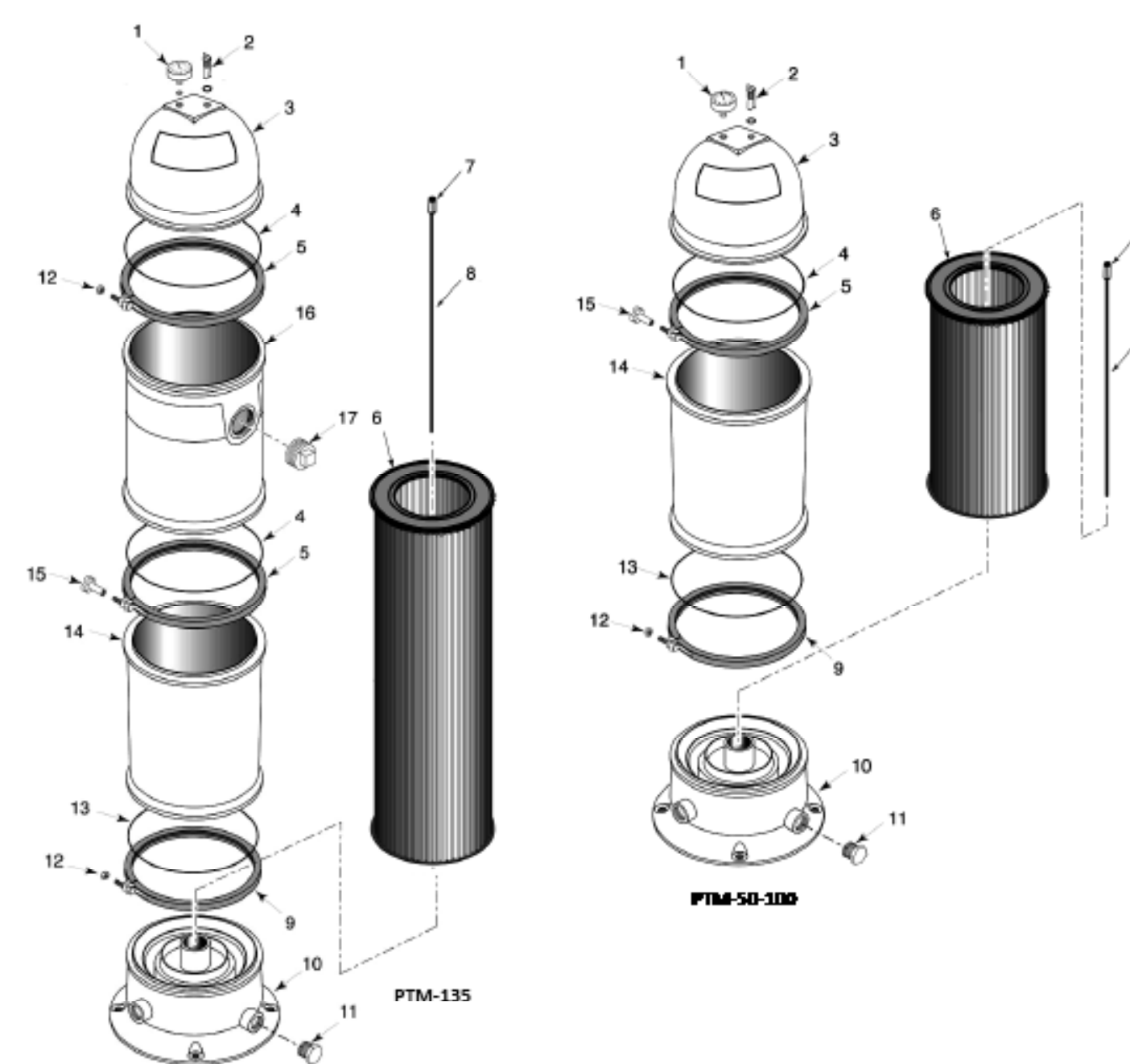


Pentair/Sta-Rite Cartridge Filters
Posi-Clear PXC

Key	Part#	SKU	Description
1	44211	44211	PSI Gauge (13060-00001)
2 & 11	25230-01025	622774	Lid w/Lock Ring, PXC75 & PXC95
2 & 11	25230-01035	622795	Lid w/Lock Ring, PXC125 & PXC150
3	25230-00105	622363	O-Ring, Tank
4	25230-00015	622780	Tank Body (Incl.# 4-7)
5	25230-00005	622239	Diverter
6	633831	633831	Drain Cap w/Gasket
7	25230-00007	633828	Safety Latch
8a	FA76	628404	Cartridge Element, PXC75 (25230-00755)
8b	FA90	46190	Cartridge Element, PXC95 (25230-00955)
8c	PWWPC125	620862	Cartridge Element, PXC125 (25230-01235)
8d	FA173	46193	Cartridge Element, PXC150 (25230-01505)
9a	25230-00007	622307	Air Tube, PXC75 & PXC95
9b	25230-00008	622334	Air Tube, PXC125 & PXC150
10	24206-01035	622313	Air Release Valve w/O-Ring



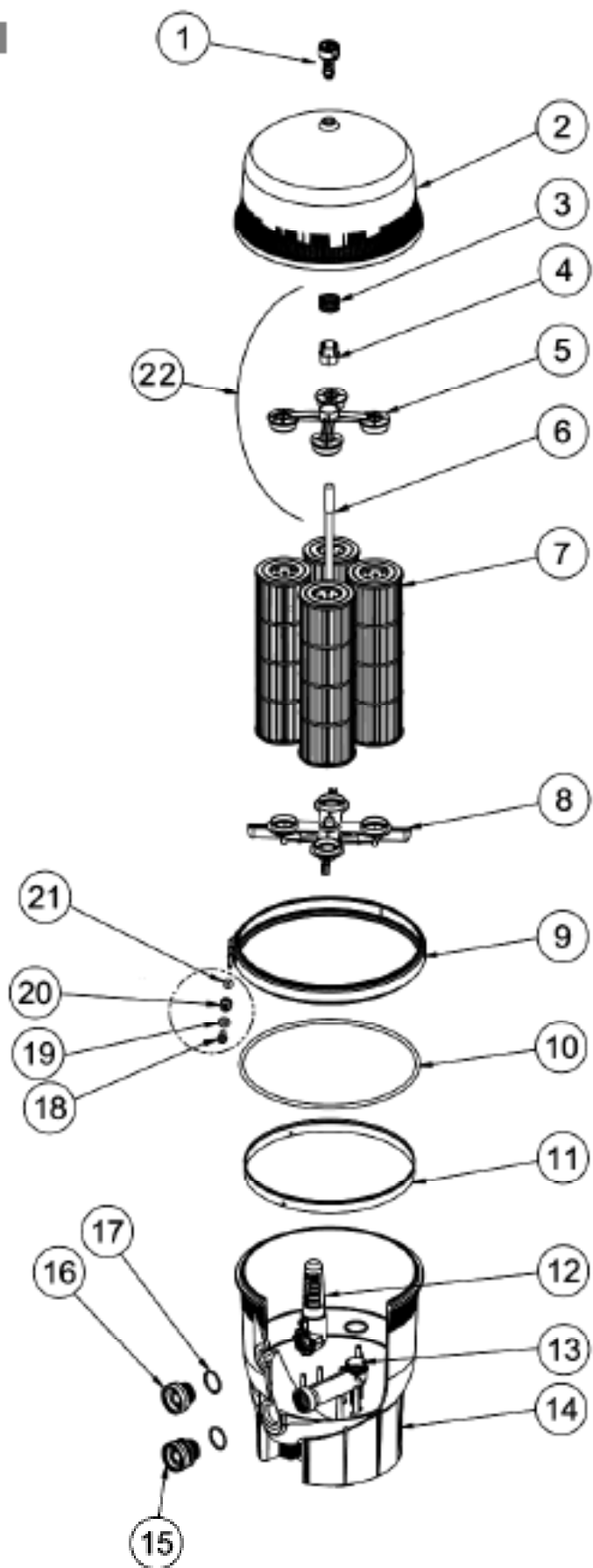
Pentair/Sta-Rite Cartridge Filters
Posi-Flow PTM



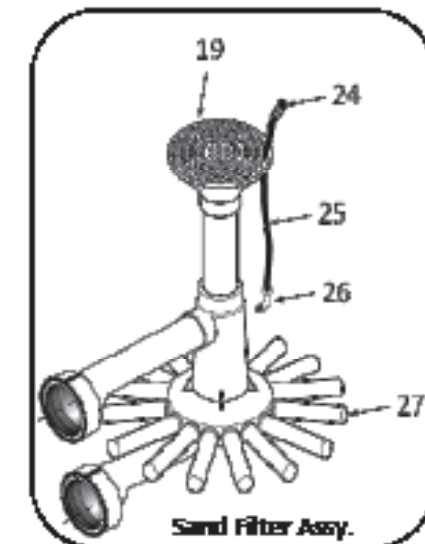
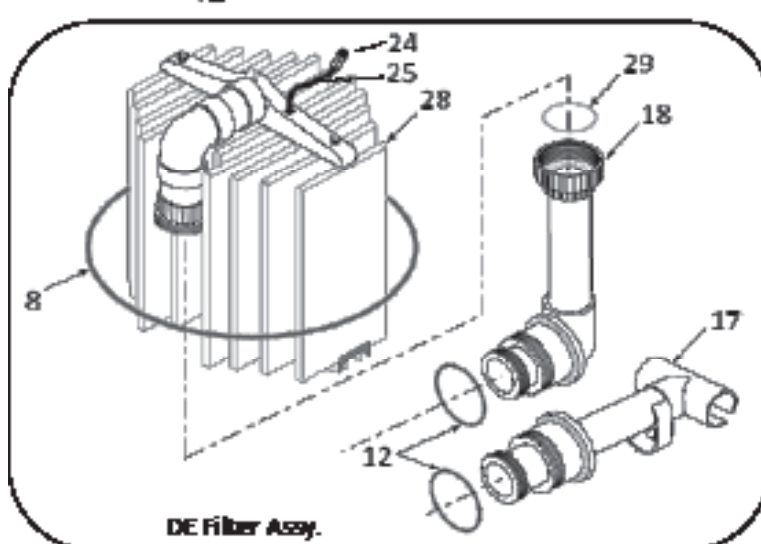
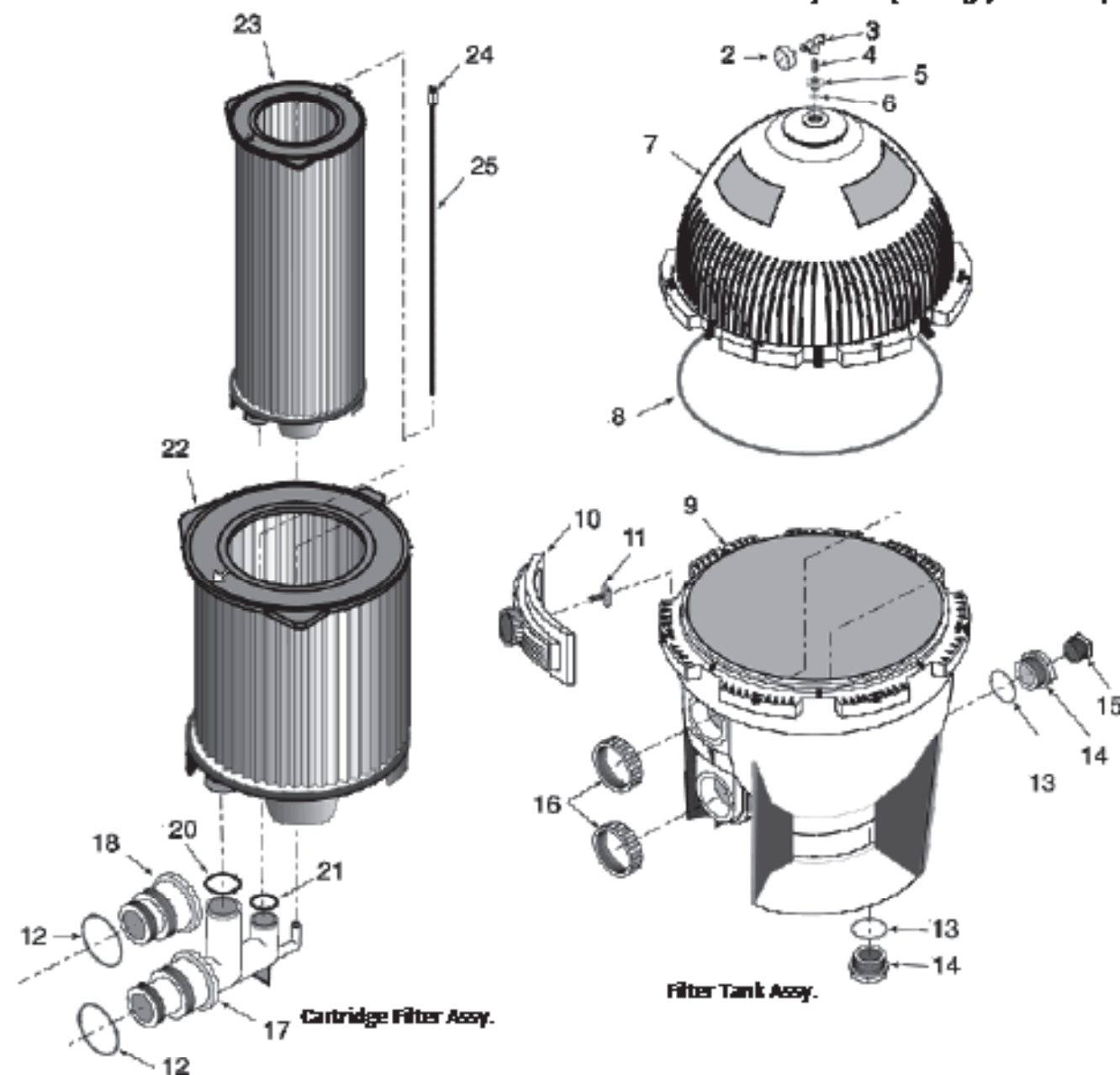
Key	Part#	SKU	Description	Key	Part#	SKU	Description
1	44211	44211	PSI Gauge (13060-00001)	7	WC3-33	44243	Filter, Air Tube
2a	WC3-720	44629	Screen, Gauge	8a	23070-00007	602733	Air Tube, PTM300 & 70
2b	23070-00000	602737	Air Release Valve	8b	23070-00008	602913	Air Tube, PTM300
2c	O-30	66679	O-Ring, Air Valve (MS-325)	8c	23070-00100	602909	Air Tube, PTM333
3a	23070-92001	602736	Lid, PTM300 & 70	9	23070-91000	602734	Tank Clamp, Base
3b	23070-92002	602912	Lid, PTM300	10	WC304-78P	44383	Filter Base w/Plugs
3c	23070-92001	602736	Lid, PTM333	11	WC70-38T	44213	Drain Plug
4	25230-00105	622363	O-Ring, Top Lid	12	WC36-1	631791	Nut, Tank Clamp
5	23070-93001	602732	Tank Clamp, Top Lid	13	O-230	64038	O-Ring, Base (MCS-3)
6a	FS400	46163	Cartridge Element, PTM300 (WC100-36520)	14	23070-00001	602730	Lower Tank Body
6b	FS470	46168	Cartridge Element, PTM70 (WC100-37520)	15	WC36-22	44333	Knob, Tank Clamp
6c	FS400	46171	Cartridge Element, PTM100 (WC100-38520)	16	23070-00001	602910	Upper Tank Body, PTM333 Only
6d	FS4037	46174	Cartridge Element, PTM133 (WC100-79520)	17	36203-00000	603401	Plug, Upper Tank PTM133 Only

Pentair Cartridge Filters
Quad DE

Key	Part#	SKU	Description
1	96228800	44096	Air Release Valve, Manual
2a	170024	622747	Lid, 320 SF
2b	170081	622764	Lid, 420 SF
2c	170082	622784	Lid, 520 SF
3	170616	602172	Spring, Manual
4	170026	602367	Adapter, Manifold
5		N/A	Lock ZZ, Manifold
6a	170028	602170	Air Tube, 320 SF
6b	170028	602369	Air Tube, 420 SF
6c	170083	602368	Air Tube, 520 SF
7a	170626	626483	Cartridge Element, Quad 100
7b	170627	626482	Cartridge Element, Quad 150
7c	170624	626481	Cartridge Element, Quad 200
8	170029	631244	Manifold Assy., Bottom
9	190001	44383	Tank Clamp
10	01-333	64900	O-Ring, Tank (350900)
11	190003	622339	Back-Up Ring
12	190003	602174	Inlet Baffle
13	170026	626476	Outlet Pipe
14	170078	622837	Tank Bottom
15	170073	622344	Lower Bulkhead
16	194801	603032	Upper Bulkhead
17	862000000	603004	O-Ring, Bulkhead
18	194801	602121	Mat, Clamp
19	190611	602302	Large Washer, Clamp
20	190612	602301	Spring, Clamp
21	190610	602303	Small Washer, Clamp
22	170026	602367	Manifold Assy. (incl. 3-9)

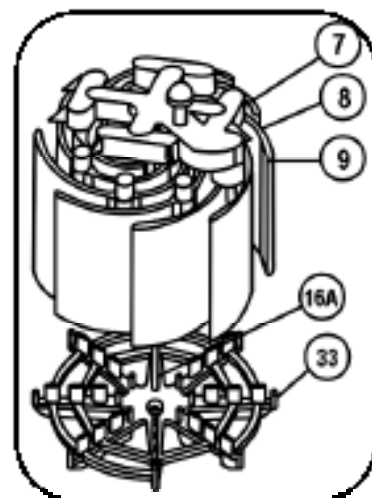
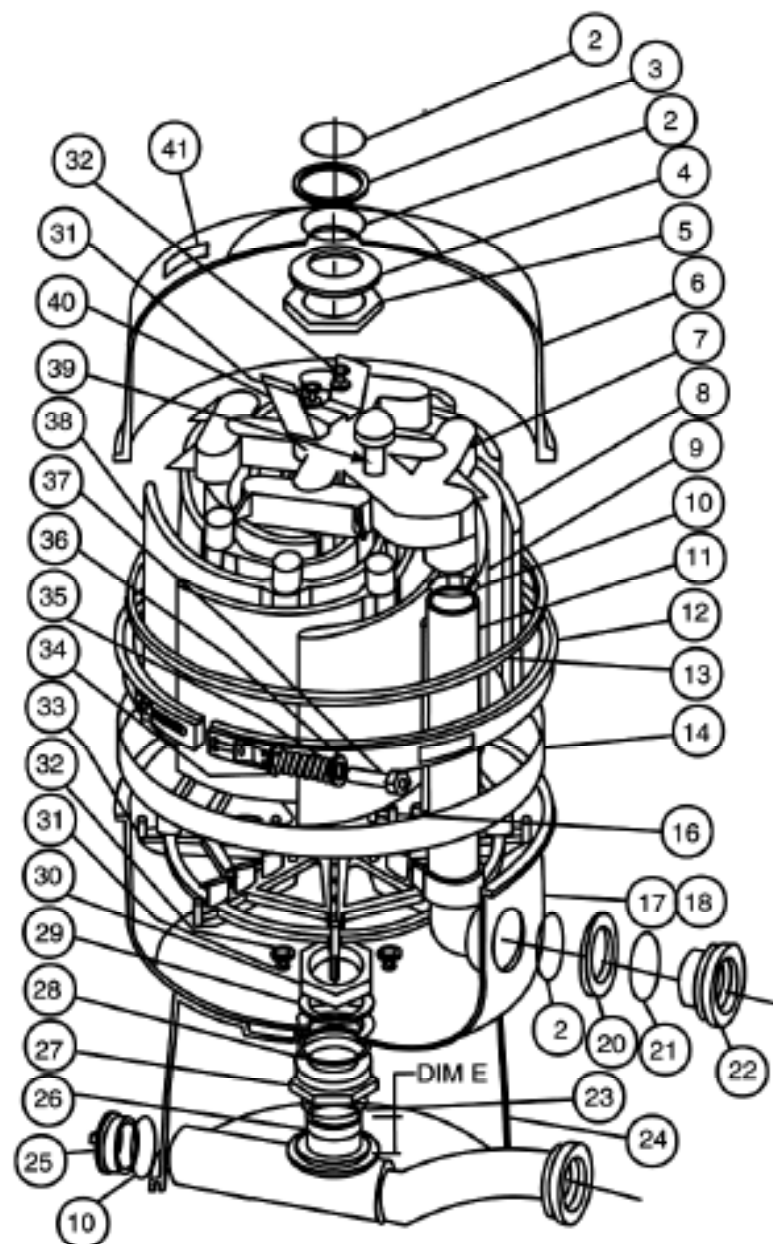


Pentair/Sta-Rite Modular Filters
System 3 (Cartridge, Sand or DE)



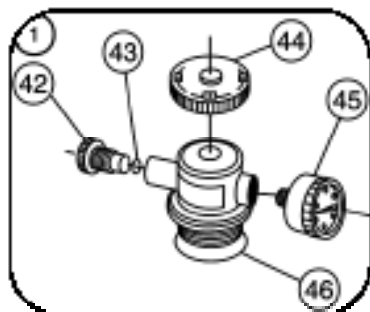
**Pentair DE Filters
FMS DE (1993-Current)**

Key	Part#	Sku	Description
1	Z73300	602332	Air Release Assy.
2	O-179	65227	O-ring, Spacer (134482)
3	Z73302	602333	Top Spacer
4	Z73303	602334	Spacer
5	134432	44343	Spacer Nut
6	CALL		Tank Top
7	192173	603064	Manifold
8	FC9320	46300	Full Grid 245F (7 Req.) 25001300
8	FC9330	46302	Full Grid 365F (7 Req.) 25001800
8	FC9340	46304	Full Grid 485F (7 Req.) 25002400
8	FC9350	46306	Full Grid 605F (7 Req.) 25003000
8	FC9420	46318	Partial Grid 245F (25001800)
8	FC9430	46312	Partial Grid 365F (25001700)
8	FC9440	46314	Partial Grid 485F (25002300)
8	FC9450	46316	Partial Grid 605F (25002900)
10	O-24	65496	O-ring, Standpipe (152323)
11	190213	603016	Upper Piping, 245F
11	190214	603013	Upper Piping, 365F
11	190215	603014	Upper Piping, 485F
11	190216	603013	Upper Piping, 605F
12	190301	44383	Tank Clamp
13	O-420	65208	O-ring, Tank (193008)
14	190337	602326	Retainer, Tank
16	192183	44333	Retainer Rod, MSP-36 1/2"
16	192184	44334	Retainer Rod, MSP-18 27-1/2"
16	192185	44333	Retainer Rod, MSP-60 33-1/2"
16A	192141	602387	Retainer Rod, FMS-36 1/2"
16A	192142	602388	Retainer Rod, FMS-24 1/2"
17	CALL		Tank Bottom
18	CALL		Tank Bottom, Base & Piping
20	194893	44763	Spacer, 2" External
21	85026200	602394	O-ring, Bulhead (2004-)
21	O-829	65493	O-ring, Bulhead (Pre-2004) 192320
22	190341	622613	Bulhead 2" (2004-)
23	O-83	65333	O-ring, Drain Plug 2" (Z74494)
24	190133	603017	Base
25	190829	603000	Drain Plug 2"
26	190308	603018	Lower Piping Assy.
27	190221	602316	Adapter, Lower Pipe 6"
28	O-163	65332	O-ring, Valve Adapt. (134494)
28	190804	44933	Pad Washer
30	134432	44343	Bulhead Nut
31	192183	603164	Nut 3/16", Retaining Rod
32	174933	603026	Washer 3/16", Retaining Rod
33	192194	603063	Grid Spacer
34	190438	602383	Washer, Small
35	190432	602381	Spring, Clamp
36	190431	602382	Washer, Clamp
37	194997	602321	Nut, Clamp
38	172303	44797	Strainer, Manifold
42	Z73312	44627	Air Bleeder
43	O-628	65219	O-ring, Bleeder Screw (Z73313)
43	44311	44311	PSI Gauge (198829)
46	O-179	65227	O-ring, Air Valve (134482)



**8-PACK Replacement Elements Sets:
7-Full Grids + 1-Partial Grids**

46326	36 5F
46327	48 5F
46328	60 5F



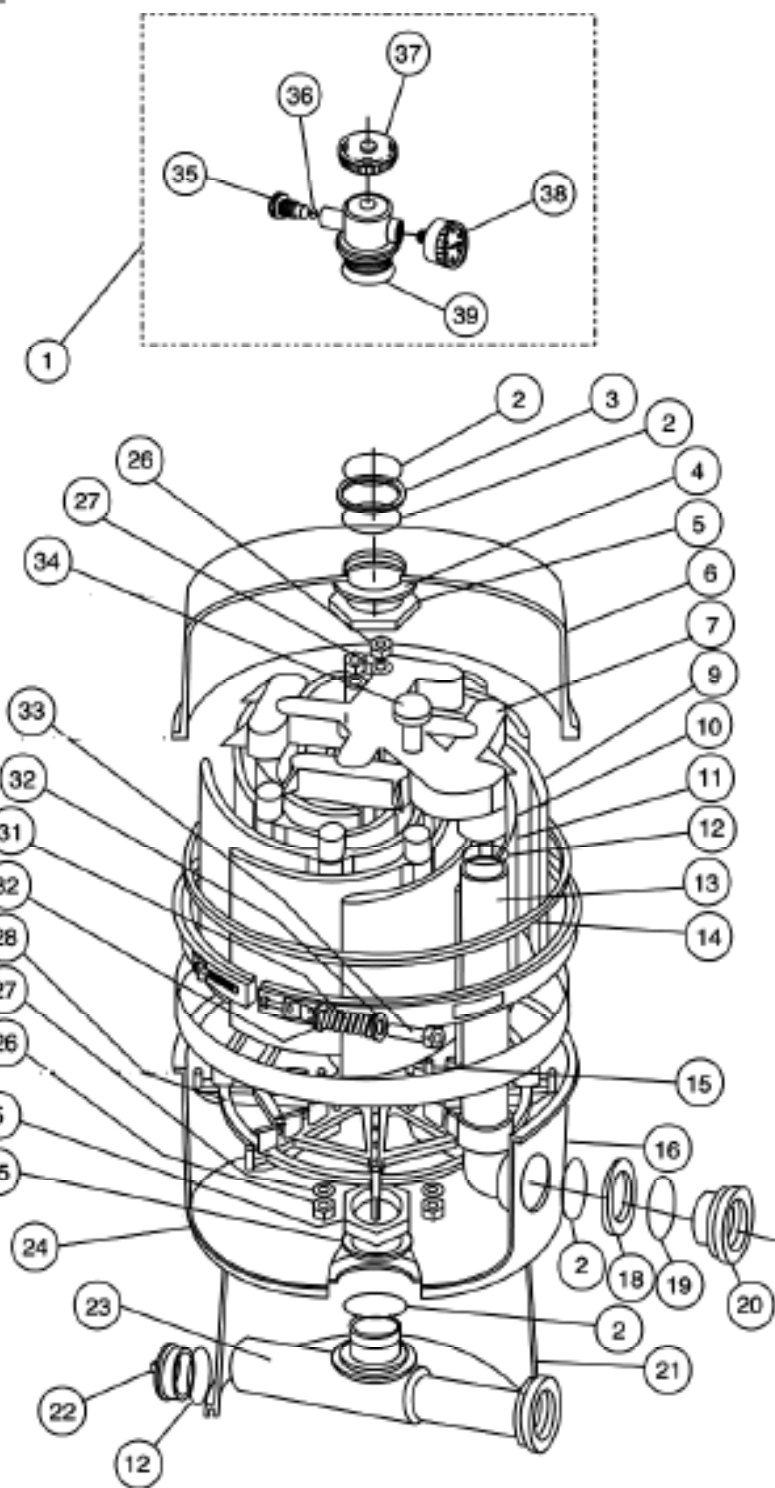
**Pentair DE Filters
Nautilus (Pre-Fab 1992-)**

Key	Part#	Sku	Description
1	Z61883	44318	Auto Air Release Assy.
2	O-63	65233	O-ring, Spacer (Z74484)
3	Z73302	602333	Top Spacer
4	Z73303	602334	Spacer
5	134432	44343	Nut, Spacer
6	CALL		Tank Top
7	192153	44862	Manifold
8a	FC9420	46318	Partial Grid 245F (25001800)
8b	FC9430	46312	Partial Grid 365F (25001700)
8c	FC9440	46314	Partial Grid 485F (25002300)
8d	FC9450	46316	Partial Grid 605F (25002900)
8e	FC9460	46318	Partial Grid 725F (25003500)
80a	FC9320	46300	Full Grid 245F (7 Req.) 25001300
10a	FC9330	46302	Full Grid 365F (7 Req.) 25001800
10b	FC9340	46304	Full Grid 485F (7 Req.) 25002400
10d	FC9350	46306	Full Grid 605F (7 Req.) 25003000
10e	FC9360	46308	Full Grid 725F (7 Req.) 25003600
12	O-24	65496	O-ring, Standpipe (152323)
13a	194981	602325	Standpipe, 245F
13b	194982	602323	Standpipe, 365F
13c	194983	602324	Standpipe, 485F
13d	194984	602323	Standpipe, 605F
13e	194985	602322	Standpipe, 725F
14	O-384	64918	O-ring, Tank (152127)
13a	192182	44332	Retaining Rod, 245F
13b	192183	44333	Retaining Rod, 365F 21-1/2"
13c	192184	44334	Retaining Rod, 485F 27-1/2"
13d	192185	44333	Retaining Rod, 605F 33-1/2"
13e	192186	44918	Retaining Rod, 725F 39-1/2"
16	CALL		Tank Bottom
18	194893	44763	External Spacer, 2"
19a	85026200	602394	O-ring, Bulhead
19b	190141	622613	Bulhead w/O-ring
20	194881	44352	Bulhead, 2"
21	134722	602394	Filter Base
22	190829	603000	Plug, 2"
23	194913	603000	Lower Piping Assy.
24	CALL		Tank Bottom Assy.
25	134747	44749	Spacer, Adapter
26	192113	603164	Nut 3/16", Base
27	72173	603237	Washer 3/16", Base
28	192194	603063	Grid Spacer
31	194988	44764	Spring
32a	1904300	44976	Washer, Clamp
32b	194989	44473	Nut, Clamp
33b	181811	603388	Tank Clamp (1992-)
34	172003	44797	Strainer, Air Release
35	Z73312	44627	Air Bleeder
36	O-628	65219	O-ring, Air Bleeder Screw (Z73313)
38	44311	44311	PSI Gauge (198829)
39	O-63	65233	O-ring, Air Valve (Z74484)



**8-PACK Replacement Elements Sets:
7-Full Grids + 1-Partial Grids**

46326	36 5F
46327	48 5F
46328	60 5F
46329	72 5F



**Pentair Sand Filters
Tagelus**

**Pentair Sand Filters
Triton 151**

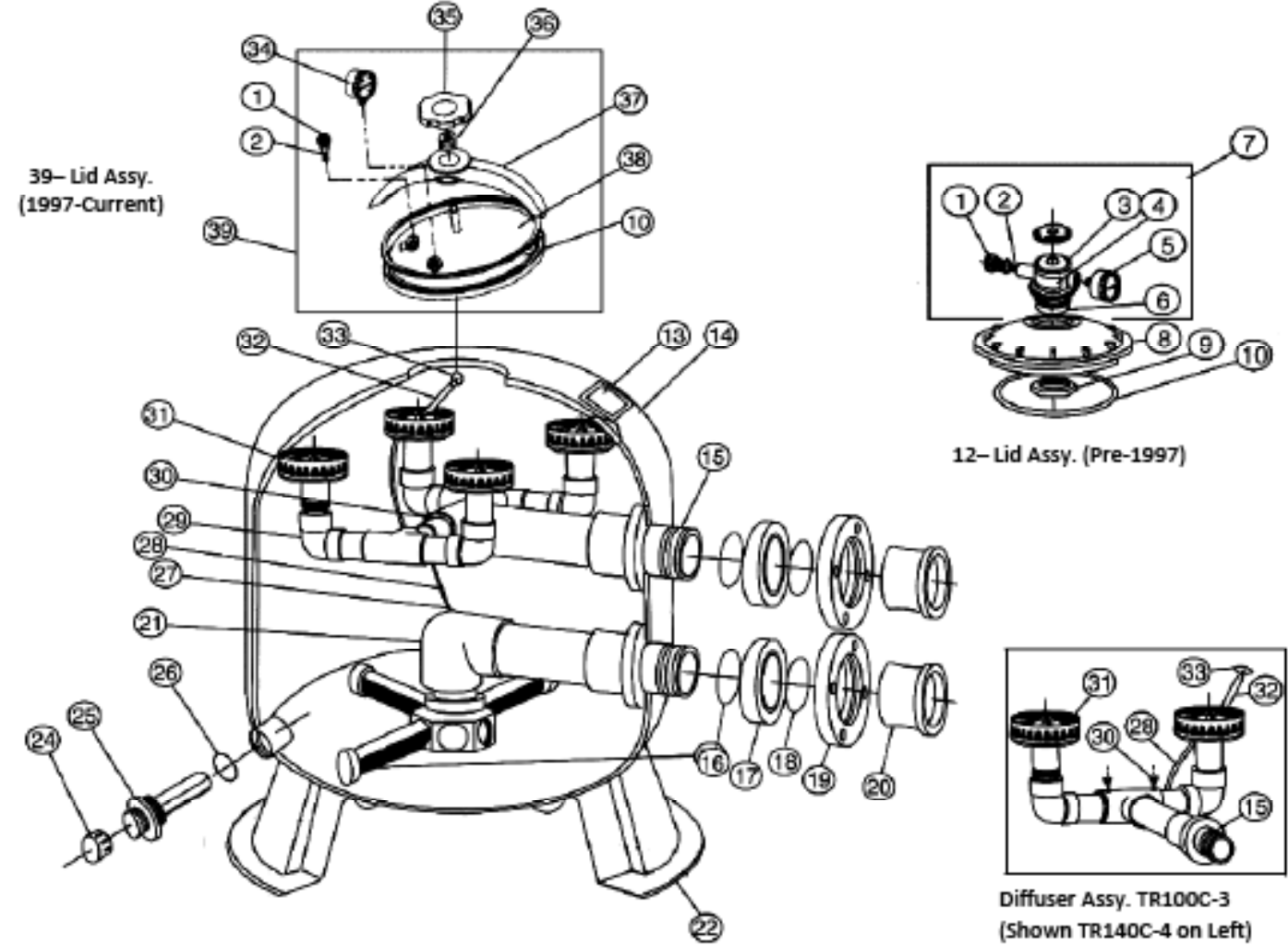
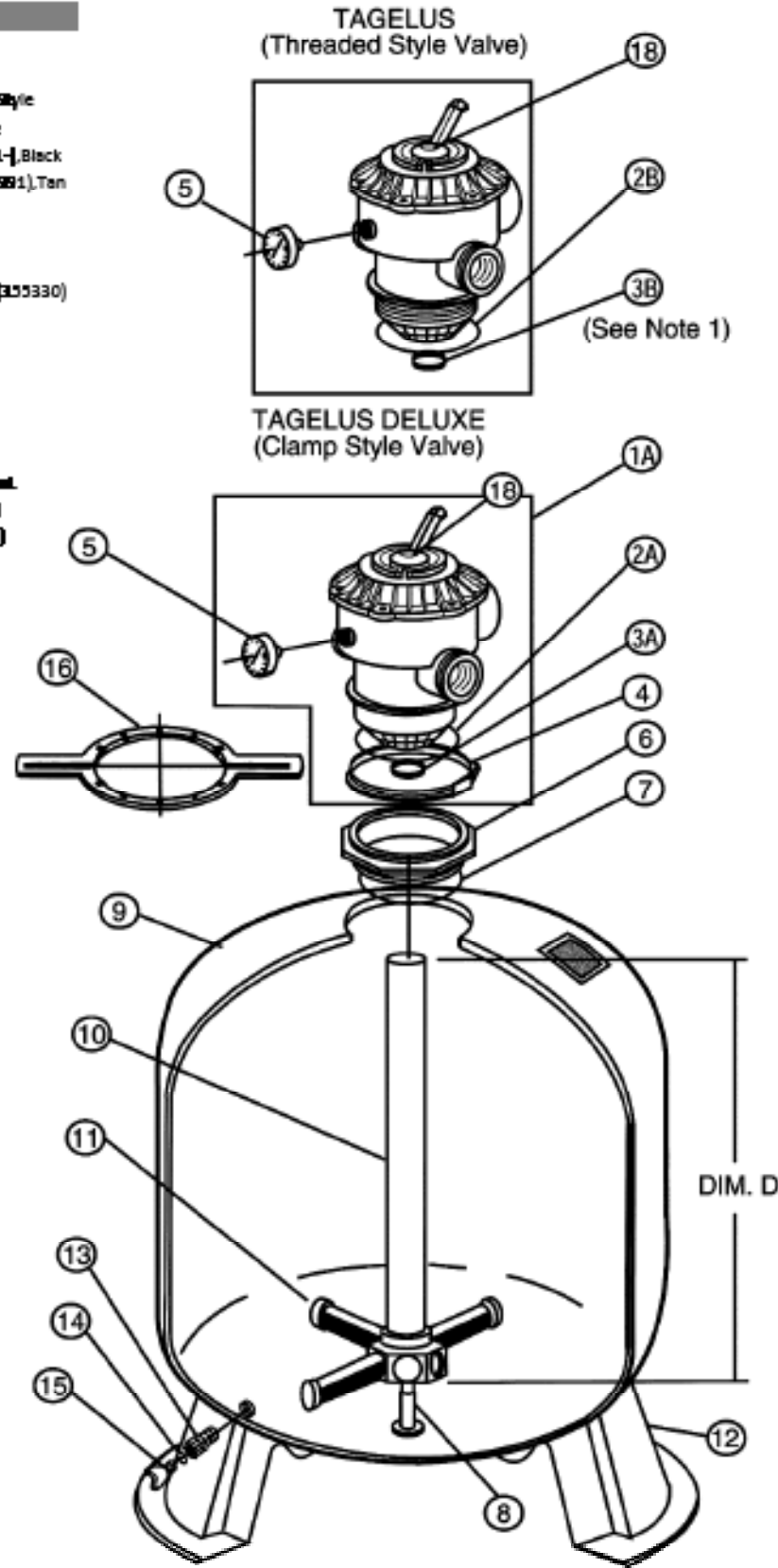
Key	Part#	SKU	Description
-----	-------	-----	-------------

Multiport Valves NOTE: Valves Vary by Model & Year
Threaded Openings Are NOT Interchangeable

1A	261306	62E338	MPV 1-1/2" Ports 6-Way Clamp Style
1A	261323	62E328	MPV 2" Ports 6-Way Clamp Style
1B	261330	62D414	MPV 1-1/2" Ports Mtr. Thd. (1991-), Black
1B	261324	62E329	MPV 1-1/2" Ports "M" Thd. (Pre-1991), Tan
2A	272341	62E174	O-Ring 4-3/4", Valve/Tank
2A	272333	62E222	O-Ring 6-1/2", Valve/Tank
2B	134493	62E331	O-Ring 3-3/4", Valve/Tank
3A	0-301	62493	O-Ring 2-3/8", Valve/Standpipe (135330)
3B	133064	62E736	O-Ring 1-7/8", Valve/Standpipe
4a	132363	62E418	Valve Clamp, 6-1/2"
4b	132330	62E363	Valve Clamp, 8-3/8"
3	44311	44311	PSI Gauge (190028)
6a	134333	62E346	Tank Adapter, 6" Ballress Thd.
6b	133223	62E312	Tank Adapter, 6" "M" Threads
6c	134321	62E347	Tank Adapter, 8-1/2" Ballress Thd.
7a	0-163	62002	O-Ring 3-3/4", Adapter (200033)
7b	0-463	62498	O-Ring, 8-1/2", Adapter (200619)
8	133002	622383	Stabilizer Pin
9		CALL	Tank, Varies by Model & Year
10a	133060	62E323	Standpipe, 12-7/8"
10b	133433	62E306	Standpipe, 14-7/8"
10c	133061	62E322	Standpipe, 17-3/4"
10d	133062	62E321	Standpipe, 19-7/8"
10e	133063	62E320	Standpipe, 22-5/8"
10f	133323	62E308	Standpipe, 27-1/4"
10g	133299	622460	Standpipe, TAGO (2007-)
11a	133007	44462	Label 1 3-11/32"
11b	132290	44362	Label 6-11/16"
11c	132202	44480	Label 9-1/8"
11d	130083	622389	Label (1/4 Turn), TAGO (2007-)
11e	130088	622613	Label, Clear Pro
12a	134926	62E325	Tank Base
12b	134396	62E343	Tank Base (TAGO)
13a	134698	44783	Spigot, 3/4" NPT
13b	134683	44786	Spigot, 1/2" NPT
13c	132228	44978	Spigot, 2" NPT
14a	0-130	62028	O-Ring, Drain Plug (192113)
14b	134871	44979	O-Ring, Drain Plug (TAGO)
13	134699	18204	Drain Plug, 1/4" NPT
16a	134312	44990	Lid Wrench 6-1/2"
16b	133608	62E394	Lid Wrench 9"
18	272369	62E377	Label

NOTE: Parts vary by model and year.
 Pre-1991 models have a "M" threaded opening with tan lid.
 1991-Current have a ballress threaded opening with black lid.
DO NOT ATTEMPT TO INTERCHANGE THREAD TYPES!

CONSULT FACTORY FOR SPECIFIC REPLACEMENT PARTS
 Pentair Water Pool & Spa (200) 833-7133
 For questions about tanks, valves, clamps, adapter rings and stand
 pipes replacement parts.

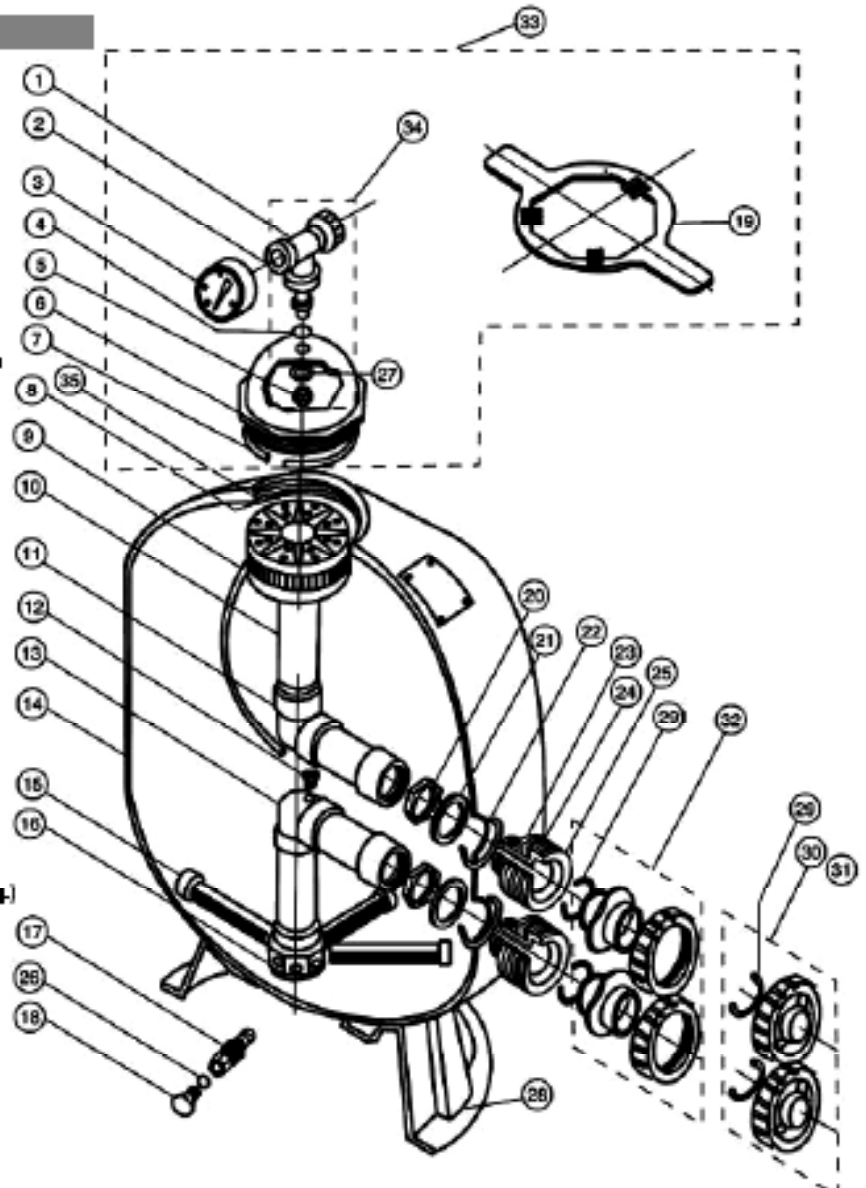


Key	Part#	SKU	Description	Key	Part#	SKU	Description
1	Z73112	44627	Air Release	23	132202	44800	Label, 9-1/8"
2	0-628	62029	O-ring, Air Bleeder [Z73112]	23	134390	44801	Label, 12"
3,7	Z73064	44169	Body, Air Valve (Mounted)	24	134871	44779	Drain Cap 1-1/2"
3	44311	44311	PSI Gauge (200028)	25	132228	44778	Spigot, 2"
6	0-363	62032	O-ring, Valve Adapter [Part#134434/200033]	26	0-63	62033	O-ring, Spigot (Z74094)
8	134373	622384	Cover, 8-1/2"	27	134440	44135	Coverbar, Air Tube
9	134812	44341	Mat, Ballress	28	134437	44032	Air Tube, TR100C3
10	132089	44362	Square Ring, 8-1/2"	28	134438	44032	Air Tube, TR140C3
11	134327	44991	Lid Wrench	29	134818	622704	Diffuser, TR140C3 (2-req.)
12	134806	44172	Cover Kit, 8-1/2" (Pre-1997)	30	Z73071	44799	Screw, Upper Piping
13	134887	622563	Upper Piping Assy., TR100C3	31	134299	44126	Diffuser
13	134888	622569	Upper Piping Assy., TR140C3	32	134387	44737	Spacer, 6-3/4" TR100C3
16	134803	62043	O-ring, Spacer	32	134388	44738	Spacer, 10-3/16" TR140C3
17	134802	622363	Spacer, 3"	33	134378	44083	Strainer, Air Release
18	134804	62E201	O-ring, Flange	34	44310	44310	PSI Gauge (190028)
19	134803	622373	Flange, 3"	35	134381	622374	Bracket, Oval Lid
20	134801	622329	Flange Adapter, 3"	36	134382	622469	Spring, Oval Lid
21	134805	622670	Lower Piping Assy. TR100C3	37	134379	622624	Bridge, Oval Lid
21	134810	622666	Lower Piping Assy. TR140C3	38	134376	622620	Cover, Oval (1997-)
22	134386	62E043	Tank Base	39	136041	622771	Oval Cover Kit

**Pentair Sand Filters
Triton II**

**Pentair Sand Filters
TR100 & TR140C**

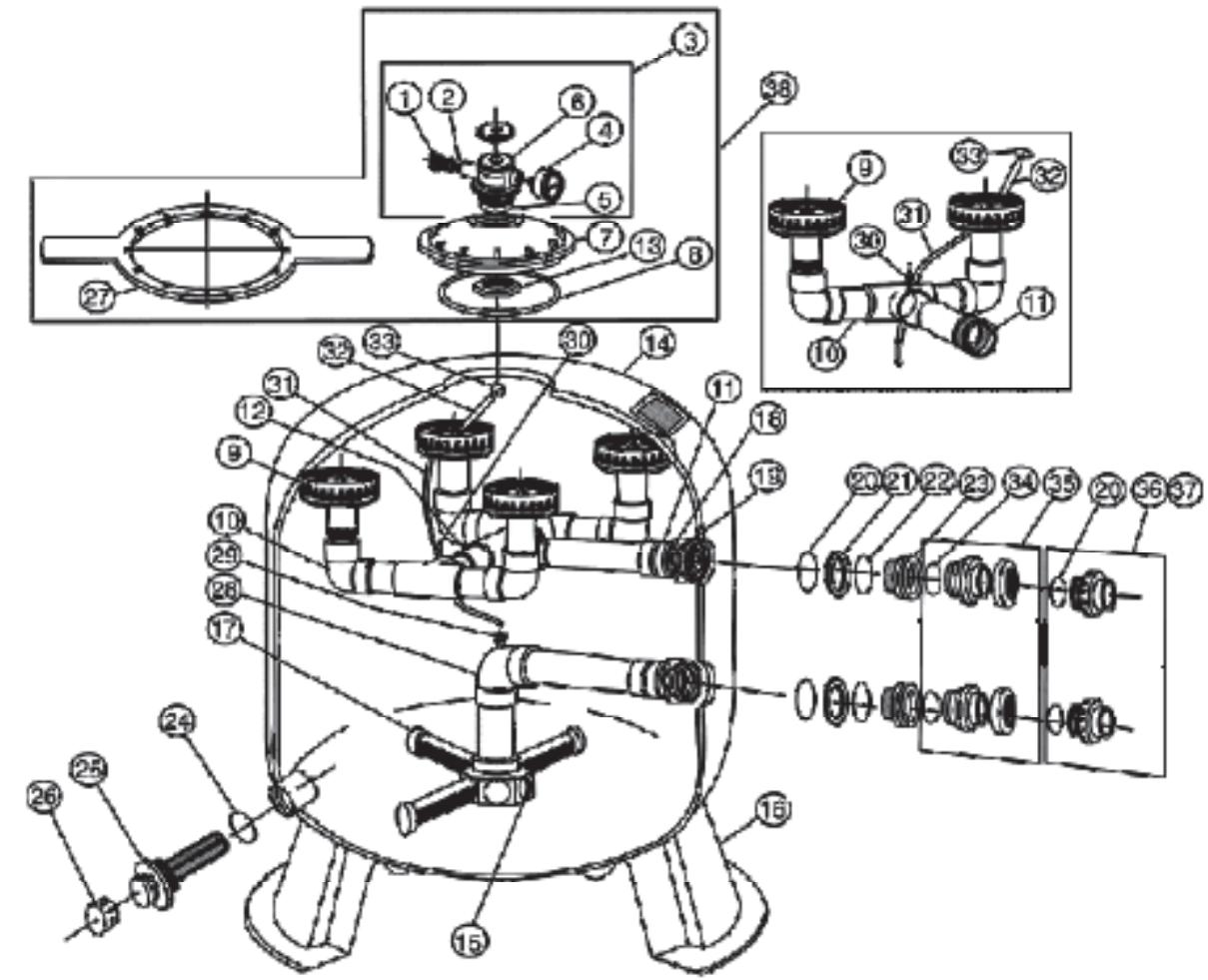
Key	Part#	SKU	Description
1	134689	44088	Air Release/Tee Assy.
2	134769	44899	Brass Adapter, Air Valve
3	44311	44311	PSI Gauge (15000PSI)
4	0-23	66273	O-ring, Adapter (134661)
5	134664	44488	Nut 3/8", Adapter
6a	134376	44472	Cover, (1991-) Black
6b	134329	44372	Cover, (Pre-1991) Tan
7	0-308	66288	O-ring, Cover (134493)
8a	134378	44883	Strainer, Air Valve (Pre-1999)
8b	138833	613087	Strainer, Air Valve (1999-)
9	CALL		Air Tube (Varies by Model & Yr.)
10a	134399	44183	Diffuser Assy. TR40/340
10b	134399	44186	Diffuser Assy. TR60
10c	134462	44187	Diffuser Assy. TR100
10d	134399	44189	Diffuser Assy. TR140
11a	134863	44861	Upper Piping Assy., TR40
11b	136814	44862	Upper Piping Assy., TR60
11c	134399	44863	Upper Piping Assy., TR80
11d	134426	44864	Upper Piping Assy., TR100
11e	134399	44865	Upper Piping Assy., TR140
12	138836	613073	Connector, Air Tube (1990-)
13a	134861	44866	Lower Piping Assy., TR40
13b	136816	44867	Lower Piping Assy., TR60
13c	134863	44868	Lower Piping, TR60 (Pre-2007)
13d	132284	622662	Lower Piping, TR60 (2007-)
13e	134867	44869	Lower Piping, TR100 & TR140C
13f	134869	44870	Lower Piping Assy., TR140
14	CALL		Tank Assy.
15a	132280	44362	Lateral, TR40-60 6-11/16" (8-req.)
15b	138833	622669	Lateral, TR60 Grey
15c	132282	44400	Lateral, TR100 9-1/8" (8-req.)
15d	134340	44401	Lateral, TR140 12" (8-req.)
15e	138838	622633	Lateral, ClearPro
16a	134763	44363	Hub, TR40-60
16b	134433	44364	Hub, TR60-140
17a	132228	44978	Drain Plug 2"
17b	134698	44783	Spigot 3/4" MPT (1993-1996)
18a	134871	44979	Drain Cap 1-1/2"
18b	134699	16204	Drain Plug 1/4" MPT
18c	134881	608474	Drain Plug 1/4"
19a	134312	44998	Lid Wrench (6" Opening)
19b	134310	602349	Lid Wrench (Aluminum)
20	134412	44341	Internal Lockout, 2"
21	134416	44342	Internal Spacer, 2"
22	0-179	66327	O-ring, 2" Bulkhead (134452)
23	134408	44238	External Spacer, 2"
24	134338	64899	Gasket, 2" Bulkhead
25a	134714	602353	Bulkhead kit includes items# 20-23
25b	134863	44089	Bulkhead 2"
26a	0-63	66283	O-ring, Drain Plug (Repl. 134482/274494)
26b	0-130	66292	O-ring, Drain Plug (1993-1996) 192113
27	134418	44990	Washer 3/8", Adapter
28	CALL		Filter Base
29	0-63	66283	O-ring, Valve Adapter (274494)
30	271892	44178	Adapter, 2" Thrd.
31	271894	44928	Adapter, 1-1/2" Thrd.



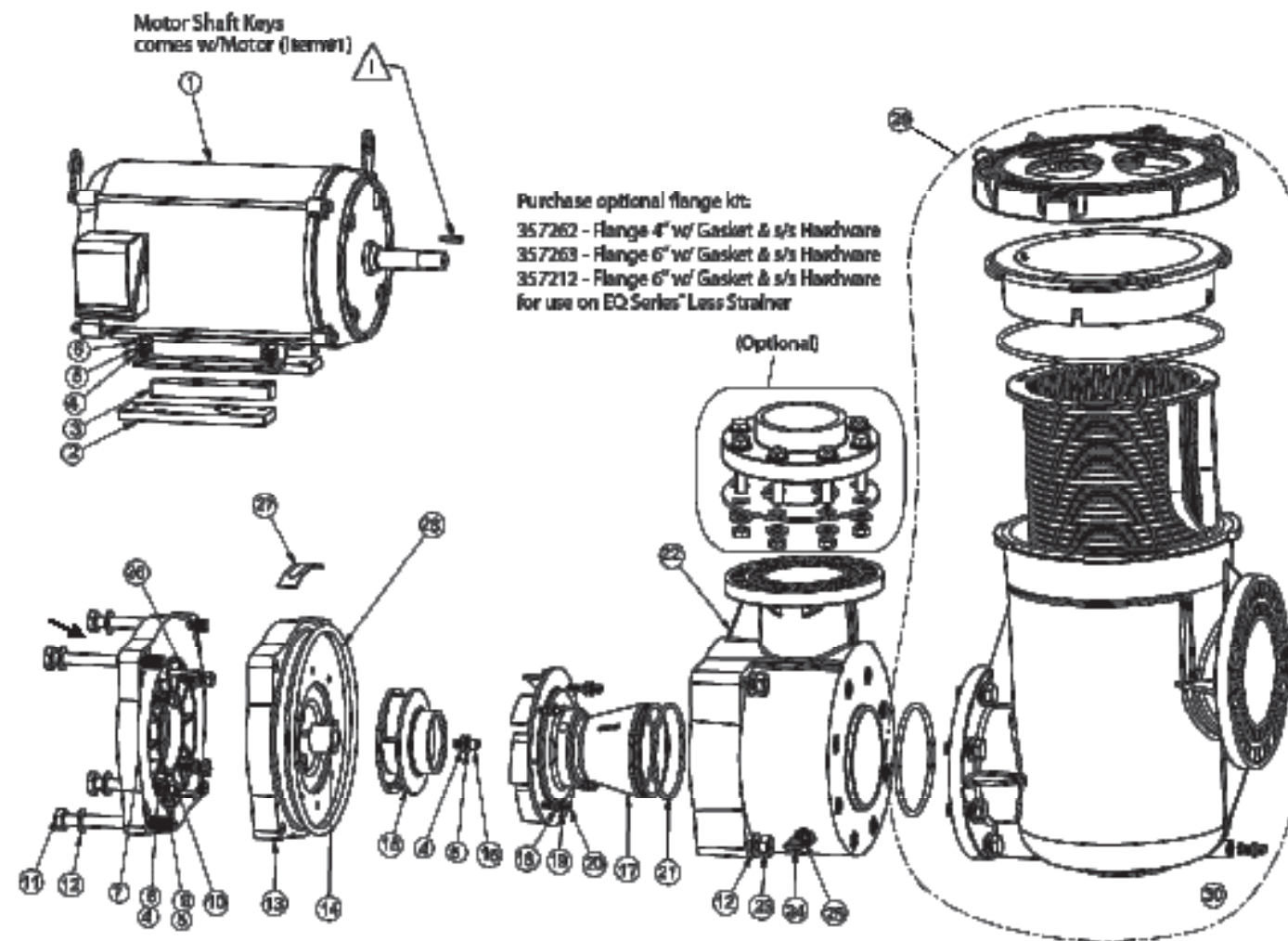
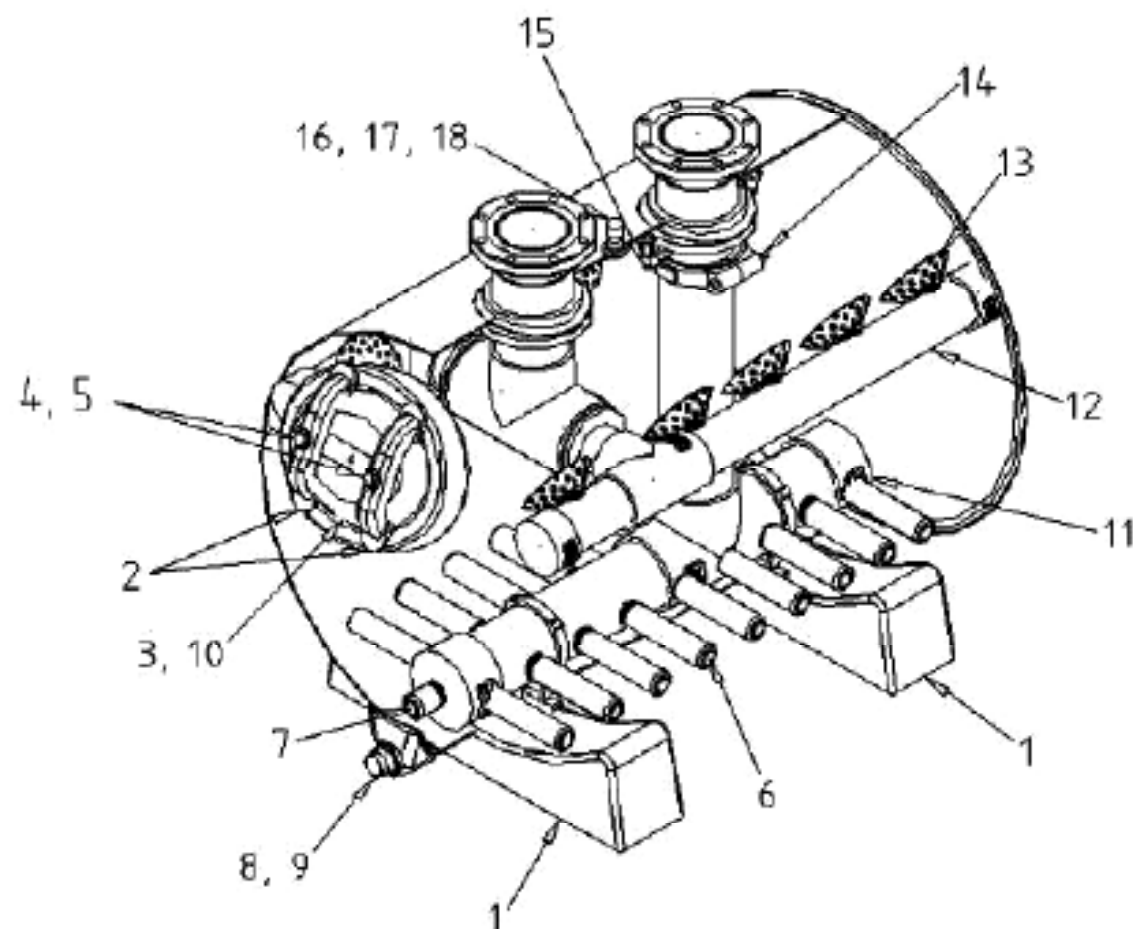
NOTE: Parts vary by model and year.
 Pre-1991 models have a "V" threaded opening with tan lids.
 1991-current have a ballless threaded opening with black lids.
DO NOT ATTEMPT TO INTERCHANGE THREAD TYPES!

CONSULT FACTORY FOR SPECIFIC REPLACEMENT PARTS
 Pentair Water Pool & Spa (800) 833-7133
 For questions about tanks, lids, clamps, adapter rings and stand pipes replacement parts.

Key	Part#	SKU	Description
32	271896	44821	Adapter, 1-1/2" 5/8"
33a	134641	613048	Lower Kit, 6" (1991-) Black
33b	134637	603041	Lower Kit, 6" (Pre-1991) Tan
33c	134826	44172	Lower Kit, 8-1/2" Black
34	134637	603042	Fitting Package
35a	134611	602346	Spacer, Strainer 3-3/4" TR40
35b	134612	44889	Spacer, Strainer 4-1/2" TR60-60
35c	134613	602343	Spacer, Strainer 3-1/2" TR100
35d	134614	602344	Spacer, Strainer 3" TR140



Key	Part#	SKU	Description	Key	Part#	SKU	Description
1	273312	44627	Air Release	23	134403	44089	Bulkhead, 2"
2	273313	66329	Screw, Air Bleeder	24	0-63	66283	O-ring, Spigot (274494)
3	273364	44169	Body, Air Valve (Internal)	25	132228	44978	Spigot, 2" MPT
4	44311	44311	PSI Gauge (15000PSI)	26	134871	44979	Drain Cap 1-1/2"
5	274493	662383	O-ring, Air Valve	27	134327	44991	Lid Wrench
7	134373	602394	Cover, 8-1/2"	28	134867	44869	Lower Piping Assy. TR100C
8	132389	44062	Square Ring, Cover	28	134489	44870	Lower Piping Assy. TR140C
9	134399	44186	Diffuser	29	138836	613073	Connector, Air Tube
10	136200	602385	Upper Piping Assy.	30	273871	44799	Screw, Upper Piping
11	136344	602388	Inlet, Upper Piping	31	134487	44832	Air Tube, TR100C
12	136204	602387	Connecting Assy.	31	134488	44832	Air Tube, TR140C
13	134412	44341	Nut, Bulkhead	32	134087	44737	Spacer, 6-3/4" TR300C
14	134408	602369	Tank Assy., TR100C	32	134088	44738	Spacer, 30-3/16" TR340C
14	134411	602369	Tank Assy., TR140C	33	134378	44883	Strainer, Air Release
15	134403	44335	Hub	33	138833	613087	Strainer 3/8", Air Release
16	134396	603043	Tank Base	33	134378	44883	Strainer, Air Release (Pre-1999)
17	132282	44400	Lateral, 9-1/8"	33	138833	613087	Strainer, Air Release (1999-)
17	134340	44401	Lateral, 12"	34	0-63	66283	O-ring, Bulkhead (274494)
18	134412	44341	Nut, Bulkhead	35	271892	44178	Adapter 2" Thrd.
19	134416	44342	Internal Spacer, 2"	36	271892	44178	Adapter 2" Thrd.
20	0-179	66327	O-ring, Spacer (134452)	37	271894	44928	Adapter 1-1/2" Thrd.
21	134408	44238	External Spacer, 2"	38	134826	44172	Cover Kit, 8-1/2" Black
22	0-38	64899	Gasket, Bulkhead (134338)				

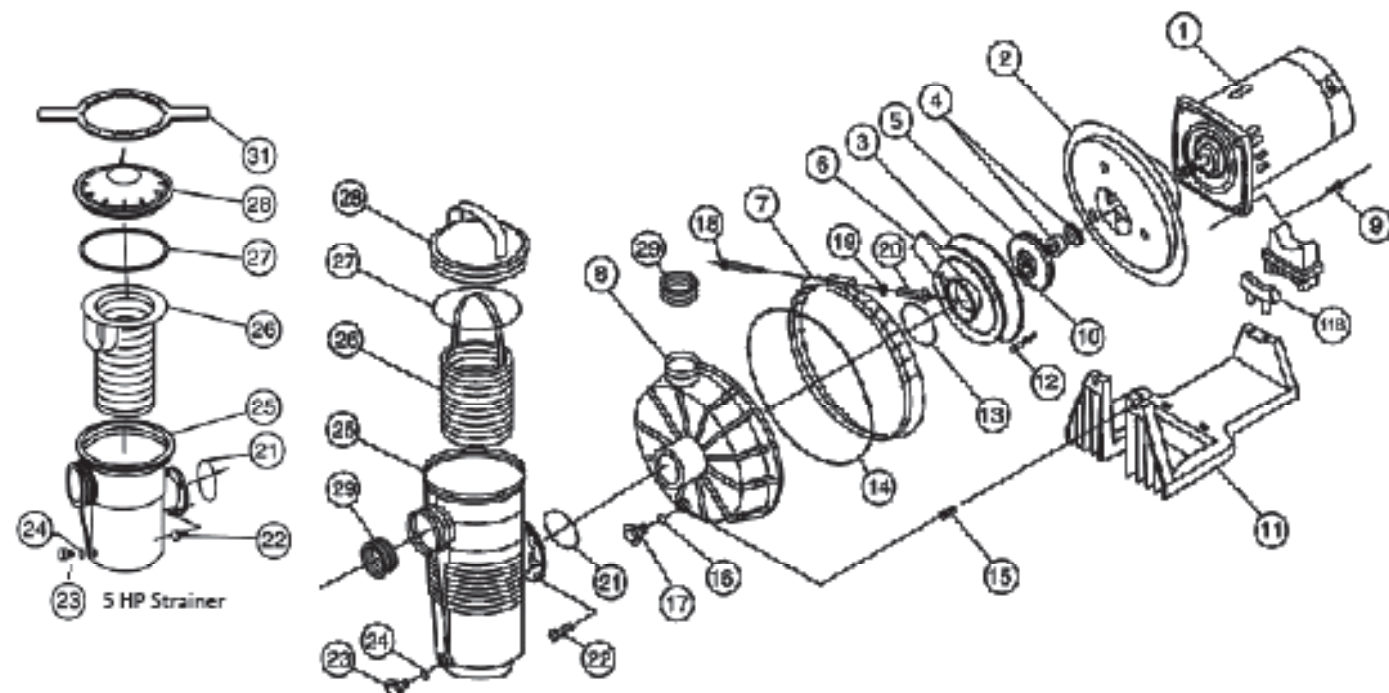


Key	Part#	SKU	Description
1	BM428M-32	CALL	Tank Saddle Base (Black)
2	BM26	617120	Yoke Handles
3	BM22A-N	617121	Cover, Access Opening
4	BM21	617122	Base, 3/4" Yoke Handles
5	94860	617123	Washer 3/4", Brass
6	BM24	617124	Lateral, 18" each
7	BM23	617125	Lateral, 3-1/2" each
8	BM28	617126	Drain
9	BM21X	617127	Drain Plug, 1-1/2"
10	BM21	617128	O-ring, Access Cover
11	BM26	617129	Diffuser Head
12	BM27	617130	Coupling Assy.
13	BM25	617131	Air Release Assy.
14	BM27BMN	617132	Cap, Air Valve
15	BM27BMN	617133	Threaded Nipple, 1/2"
16	BM27BMN	617134	Ballcock Fitting, 1/2"

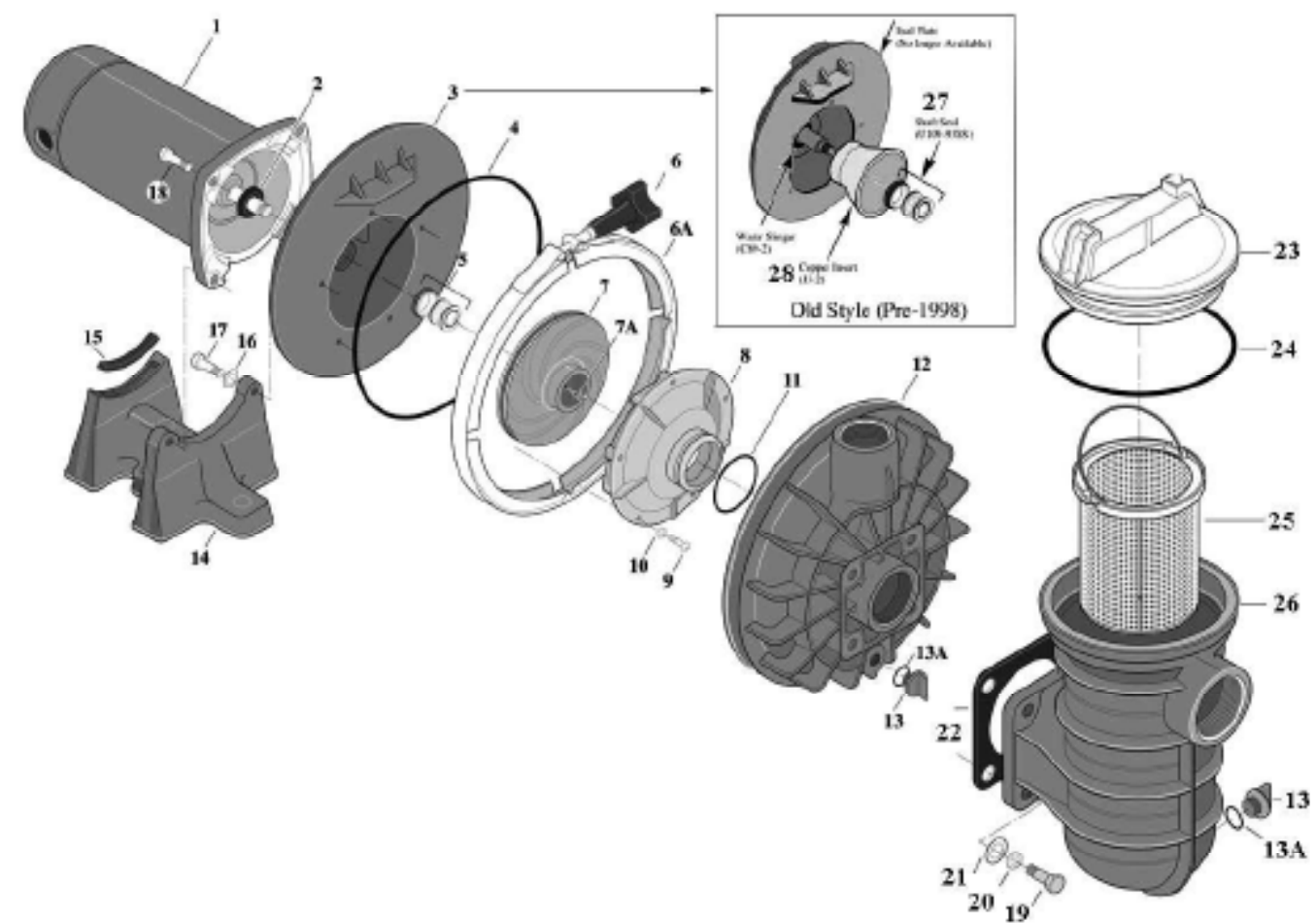
Lateral Configuration by Model#		
Number of Laterals Required:		
Item#	B4804	B4803
Model	10" Laterals	3-1/2" Laterals
THS4861	34	2
THS4864	20	2
THS4272	38	3
THS4284	24	3
THS4296	38	3

Key	Part#	SKU	Description	Key	Part#	SKU	Description
1	Motor	CALL	3 to 15HP Single or 3-Phase	15M	EQ0027	617640	Impeller EQW300 & EQ1500
2	EQ6713	632842	Motor Support (Req. 2)	15c	EQ0030	632978	Impeller EQW300
3	EQ6712	632843	Support Adapter	16	EQ1887	601157	Lock Screw, Impeller
4	EQ2184	48900	Washer 3/8"	17a	EQ0032	617646	Diffuser EQ300
5	96220500	600992	Lock-washer, Adapter	17b	EQ0033	622932	Diffuser EQ750-1500
6a	A133	48063	Bolt 3/8" x 3/4"	17c	EQ6715	617648	Diffuser EQW300 & EQ1500
6b	EQ0073	48065	Bolt 3/8" x 1-1/2"	17d	EQ7273	632948	Diffuser EQW300
7	EQ6720	632837	Motor Adapter	18	31000300	611147	Washer 1/4"
8	EQ2842	600929	Washer 1/2"	20	EQ0035	617649	Screw 1/4" x 1-1/2"
9	EQ0063	622350	Lock-washer, Adapter	19	EQ2172	609114	Lock-washer 1/4"
10a	EQ4280	48063	Bolt 3/8" x 1"	20	EQ6797	617638	Screw, 1/4" x 1-3/4"
10b	EQ2843	609130	Bolt 1/2" x 1-1/4"	21	EQ0037	617639	O-ring, Diffuser
11	EQ6710	632844	Bolt, 3/8" x 6-1/2"	22	EQ6715	617650	Pump Housing
12	EQ6709	617636	Washer 11/16"	23	EQ6776	632943	Nut 1/8"
13	EQ6703	617643	Seal Plate	24	134689	48288	Drain Plug
14	EQ17225	601367	Pump Seal	25	D-130	60328	O-ring, Drain Plug (152113)
15a	EQ0030	617642	Impeller EQ300	26	EQ0060	617631	Drawn Pin 3/16" x 1-3/4"
15b	EQ0029	632844	Impeller EQ750	28	EQ6780	617632	O-ring, Seal Plate
15c	EQ0028	617644	Impeller EQ1500	29	348813	617633	Strainer 6" Parts

Pentair Pumps Challenger



Pentair/Sta-Rite Pumps
Dura-Glas & Max-E-Glas

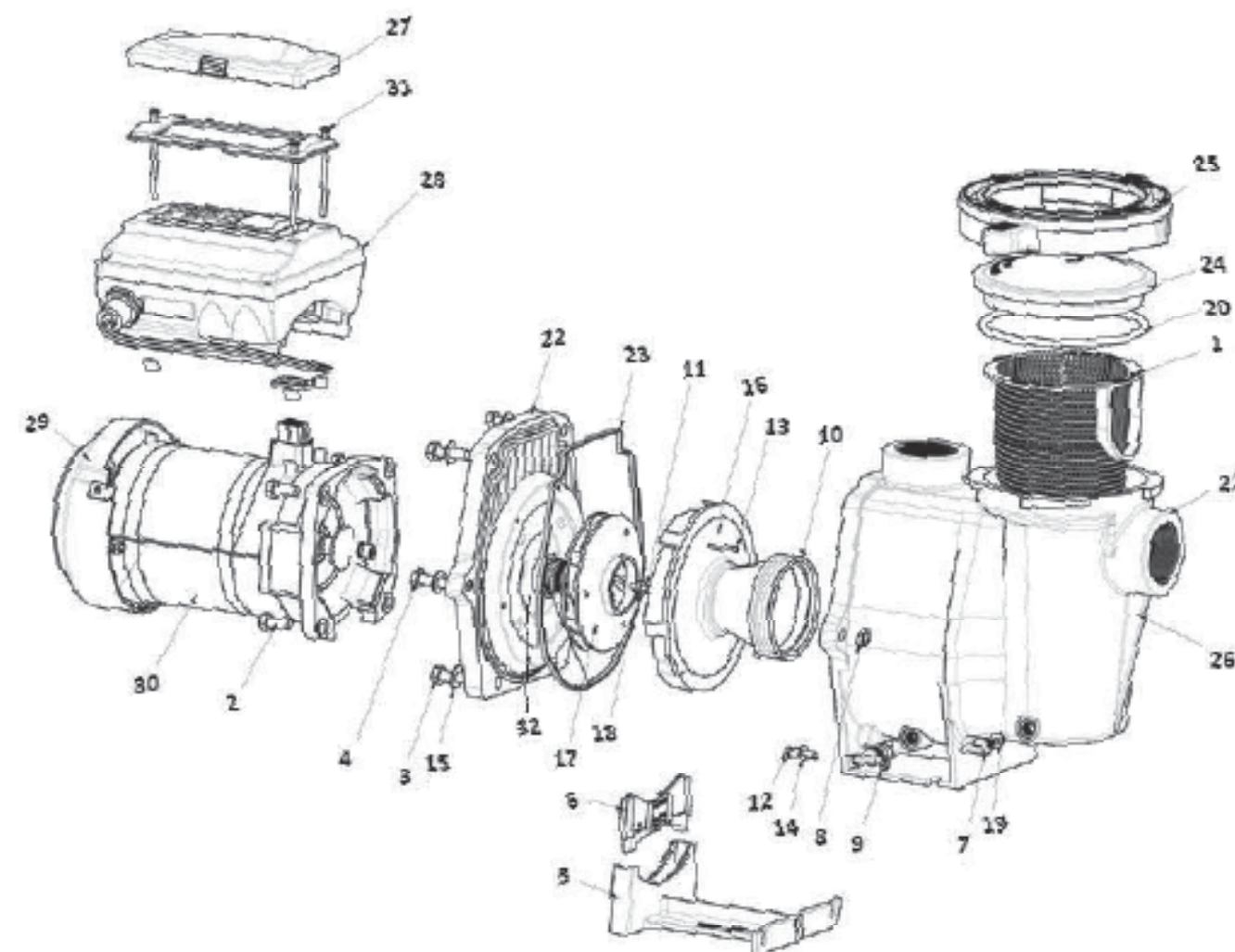
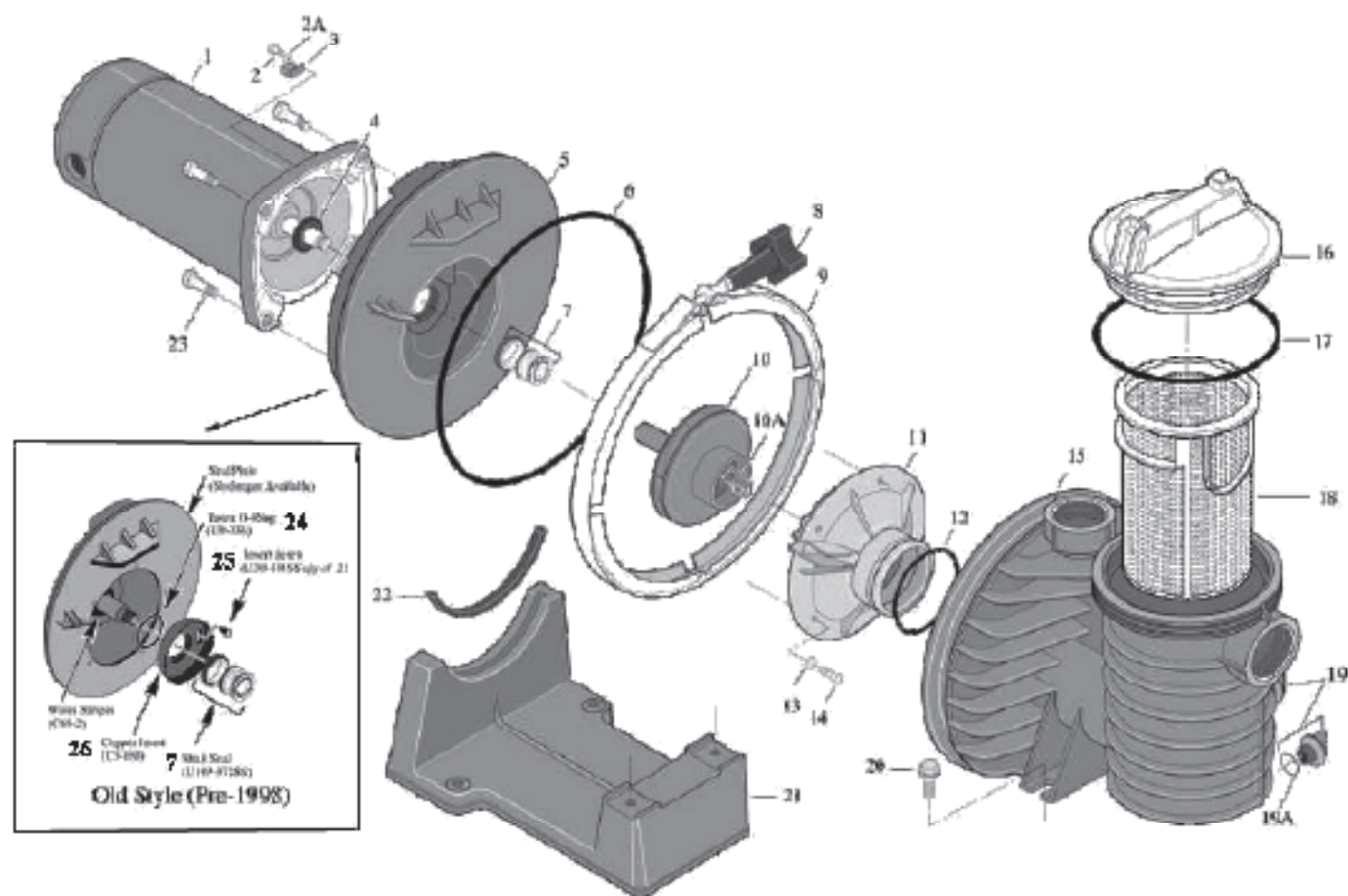


Key	Part#	SKU	Description	Key	Part#	SKU	Description
1	Motor		Square Flange	8h	333069	602068	3HP
2a	333383	40736	Seal Plate	7a	333328	40217	Housing Clamp Assy.
3.1— Mounting Plates: High Pressure Pumps							
3a	353384	40383	1/2 HP	7b	334629	40218	Housing Clamp (No Knob)
3b	353317	40384	3/4 HP to 3HP	8a	333488	602068	Housing, Black
3.2— Mounting Plates: High Flow Pumps							
3c	353028	601009	1/2 to 3/4 HP	8b	333489	622664	Housing, Aluminum
3d	353078	601008	1 to 1-1/2HP	9	334290	40063	Motor Bolt, 3/8"
3e	353093	601007	2HP	10	333389	40217	Locking Screw, Impeller
3f	353493	600371	3 HP	11	333303	601001	Pump Base
4	PS-200V	40677	Pump Seal (3343435)	11a	333303	602063	Motor Spacer
5.1— Impellers: High Pressure Pumps: Full-Rate (Up-Rate)							
5a	353147	40390	1/2HP (3/4UR)	12	333334	40001	Screw, Diffuser
5b	353187	40391	3/4HP (1UR)	13	O-301	60499	O-Ring, Diffuser (300030)
5c	353369	40392	1HP (1-1/2UR)	14a	O-815	60323	O-Ring, Housing (Pac-Fab)
5d	353315	40393	1-1/2HP (2UR)	14b	O-306	600123	O-Ring, Housing (Square-Ring) 3.00030
5e	353604	40394	2HP (2-1/2HP)	15	333333	40219	Screw, Base
5f	353544	40271	3HP	16,24	O-130	60328	O-Ring, Drain Plug (192113)
5.2— Impellers: High Flow Pumps: Full-Rate (Up-Rate)							
5g	353043	40396	1/2HP (3/4UR)	17,23	134639	40280	Drain Plug, 1/4"
5h	353067	40397	3/4HP (1UR)	18	132060	40005	Bolt, Clamp
5i	353074	40398	1HP (1-1/2UR)	19	072179	60327	Washer, Clamp Bolt
5j	353086	601006	1-1/2HP (2UR)	20a	174682	40329	Knob, for T-Bolt Clamp (New)
5k	353093	601005	2HP (2-1/2UR)	20b	173023	40407	Knob, for Bolt Clamp (Old)
5l	353068	600370	3HP (3UR)	21	O-301	60493	O-Ring, Strainer Flange (300030)
6.1— Diffusers: High Pressure Pumps							
6a	353148	40240	1/2HP	22	334263	600136	Screw, Strainer
6b	353188	40241	3/4 to 1HP	23a	333303	40779	Strainer Pad
6c	353270	40242	1-1/2HP	23b	333903	602067	Strainer Pad, 3HP 3" Parts
6d	353343	40243	2 to 3HP	23c	333903	602067	Strainer Pad, 3HP 3" Parts
6.2— Diffusers: High Flow Pumps							
6e	353029	601004	1/2 to 3/4 HP	24a	B-219	30343	Bracket, 1/2 to 2-1/2HP (333303)
6f	353077	601003	1HP to 1-1/2HP	24b	333441	601000	Bracket, 3HP
6g	353094	601002	2HP to 2-1/2HP	24c	333901	602072	Bracket, 3HP
				27a	O-302	60324	O-Ring, Lid (Pac-Fab Pre-1998)
				27b	O-313	60110	O-Ring, Lid (Pentair) 300013
				27c	132309	40062	Square-Ring, Lid 3HP
				28a	333301	40003	Strainer Lid
				28b	333902	602066	Strainer Lid, 3HP
				29	132377	60040	Reducer Bushing
				31	134327	40001	Lid Wrench, 3HP

Key	Part#	SKU	Description	Key	Part#	SKU	Description
1	Motor		Square Flange	12	C076-47P1	40817	Pump Housing
2	17331-0009	601203	Water Slinger	13	16204	16204	Drain Plug, 1/4" Generic
3	C283-1581P	40740	Seal Plate Kit (incl. 4 & 5)	13a	U178-500P	40288	Drain Plug, 1/4"
4	O-240	60063	O-ring, Seal Plate (US-228A)	13b	O-30	60679	O-ring, Drain Plug (US-335)
4,11,22,24		60086	O-ring Kit	14a	30009	30009	Motor Base, 36-Frame
5	PS-200V	40677	Pump Seal (17304-07005)	14b	C304-42P	601223	Motor Base, 48-Frame
6	WC36-22	40001	Knob, Clamp	14c	C304-41P	601236	Motor Base, 3HP Only
6a	C19-37A	40222	V-Clamp, Housing	15	C33-11	601277	Spacer, Motor Pad
7—Impellers							
			HP Full-Rate (Up-Rate)	16	U43-4255	40000	Washer, Base
	C105-92PS	40307	1/2HP (3/4UR)	17a	U30-7455	60000	Bolt, Motor/Base
	C105-138PEB	40308	3/4HP (1UR)	17b	U30-9055	60001	Bolt, Motor/Base 3HP
	C105-137PEB	40309	1HP (1-1/2UR)	18a	U30-7755	600118	Bolt, Motor/Housing
	C105-137PDBA	40301	1-1/2HP (2UR)	18b	U30-7755	600008	Bolt, Motor/Housing 3HP
	C105-137PDA	40304	2HP (2-1/2UR)	19	U30-6455	600133	Bolt, Strainer
	C105-137PKBA	40303	3HP	20	U43-1155	600132	Lock-washer, Strainer
	C105-137PEBA	40499	2-Speed 1/4 to 1-1/2	21	U43-4155	601243	Washer, Strainer
7a	C30-12	40218	Impeller Screw (1-1/2 to 3HP)	22	G-99	64713	Gasket, Strainer (C20-123)
7b	C3-217P	600063	Diffuser Up-Rate: 1/2 to 3/4HP	23	C3-138P1	40372	Cover
7c	C3-216P	40282	Diffuser Full-Rate: 1/2 to 3/4HP	24	O-218	60034	O-ring, Cover (US-229)
7d	C3-200PA	40283	Diffuser 1 to 2-1/2HP	25a	B-106	36440	Bracket (C105-33P)
9	U30-34255	600140	Screw, Diffuser	25b	B-33	36438	Bracket, Coarse Mesh
10	U43-2155	600117	Lock-washer, Diffuser	26	C153-13P1	40000	Strainer Body
11	O-40	60002	O-ring, Diffuser (US-226)	27	PS-300V	40676	Pump Seal (Pre-1998) US303-9335
				28	B-2	40720	Copper Insert, Seal (Pre-1998)

Pentair/Sta-Rite Pumps
Dura-Glas II & Max-E-Glas II

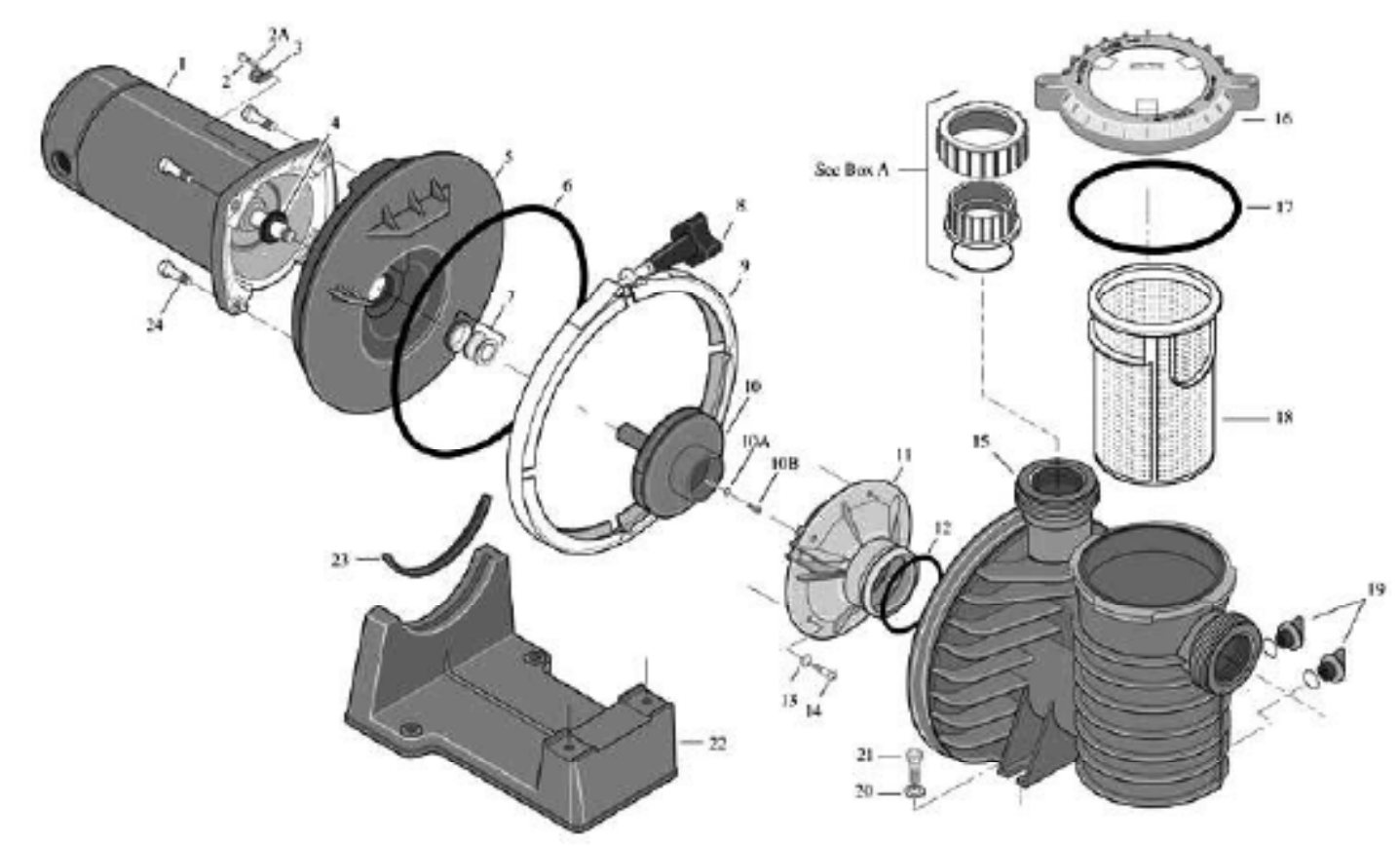
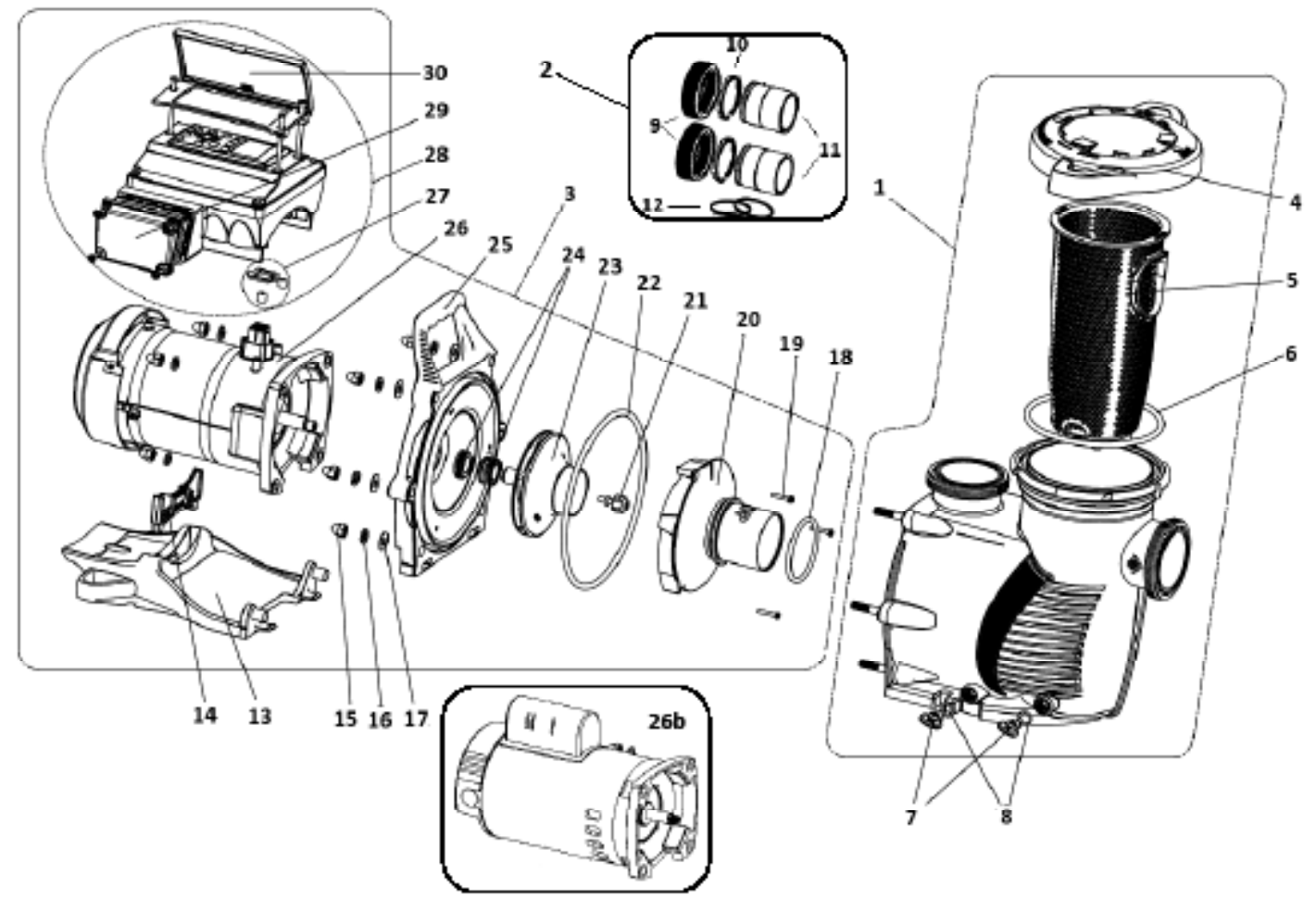
Pentair Pumps
IntelliFlo
VF, VS & SVRS



Key	Part#	Sku	Description	Key	Part#	Sku	Description
1	Motor		Square Flange	10c	33903-1426	628474	O-Ring, Impeller
2	U30-52255	629134	Bolt, Motor/Seal Plate	11a	CS-271.P1	48286	Diffuser 1 to 1-1/2HP
2a	U43-2255	621629	Lock-washer, Motor	11b	CS-271.P	48287	Diffuser 1-3/4 to 3HP
3	U17-368	621178	Bowling Lug	12	O-83	62833	O-ring, Diffuser (M9-374)
4	17331-6000	621233	Water Slinger	13	U43-2155	629117	Lock-washer, Diffuser
5	C203-154P	48739	Seal Plate Kit (incl. #6 & 7)	14a	U30-54255	629148	Screw, Diffuser 3/4 to 1HP
6	O-240	62833	O-ring, Seal Plate (M9-228A)	14b	U30-52255	628845	Screw, Diffuser 1-1/2 to 3HP
6,12,17	62838		O-Ring Kit	15	CL76-25P	621228	Pump Housing
7	PS-280V	48678	Pump Seal (37408-80275)	16a	CS-123.P	48273	Cover
8	WC36-22	44831	Krunk, Clamp	17	O-12	62188	O-ring, Cover (M9-373)
9	CS-37A	48222	V-Clamp	18	B-213	36437	Bracket (CS-38P)
10 - Impellers			Full-Rate (Up-Rate)	19	16204	16204	Drain Plug, 1/4"
	C103-238P	40493	3/4HP (1UR)	19a	U179-528P	48285	Drain Plug, 1/4" w/O-ring
	C103-238PB	40496	1HP (1-1/2UR)	19b	M9-329	62679	O-ring, Drain Plug
	C103-238PDBA	40498	1-1/2HP (2UR)	20	U30-91855	48280	Bolt, Base
	C103-238PDCA	622381	1-3/4UR	21a	CS94-75P	621243	Motor Base, 36-Framed w/Spacer
	C103-238PEBA	40511	2HP (2-1/2UR)	21b	CA-78P	CALL	Motor Base, 48-Framed (No Spacer)
	C103-238PLA	40512	3HP	22	CS-43	48284	Spacer Pad, Motor Base
	C103-138PEB	40308	2-Speed 1/8 to 1HP	23a	U30-7465	628291	Bolt, Motor
	C103-137PEBA	40499	2-Speed 1/4 to 1-1/2HP	23b	U30-9555	628634	Bolt, 3HP Motor
	C103-137PDBA	40501	2-Speed 1/2 to 2HP	24	M9-376	62842	O-Ring, Insert
30a	37337-6280	628881	Impeller Screw	25	U30-48155	629133	Screw, Insert
10a	37337-6281	628837	Impeller Screw 2-speed 1-1/2HP	26	CS-126	48222	Seal Insert SS

Key	Part#	Sku	Description	Key	Part#	Sku	Description
1	B-199	36380	Bracket (070387)	19	O-130	62828	O-Ring, Drain Plug (152113)
2	870428	608868	Bolt, Motor	20	O-338	62110	O-Ring, Cover (300813)
3	870430	608599	Bolt, Seal Plate	21	338013	622719	Pump Housing (1998-)
4	870431	609188	Bolt, Housing	22a	338281	622834	Seal Plate
5	870527	601138	Motor Base	22b	338282	628437	Seal Plate Kit (incl. Seal & Gasket)
6	870528	601137	Base Adapter	23a	6-413	64640	Gasket, Seal Plate (Pre-2008) 337162
7	871131	601136	Drain Plug	23b	337188	628464	Gasket (Black), Seal Plate (2008-)
8	871483	44480	Mat, Housing	24a	337131	608336	Strainer Cover
9	871486	608247	Mat, Base	24b	337136	622344	Cover, Chemical Resistant
10	O-339	66334	O-ring, Diffuser (313227)	25	337199	622484	Lid Clamp
10,20,23	85682		O-Ring Kit	26	337243	CALL	Strainer Housing Kit
11	871632	601139	Screw, Impeller	27	338881	CALL	Cover, Pump Controls
12	871637	609187	Screw, Base	28a	338721	617782	Drive Assy. VF-3000 Controls
13	871660	601140	Screw, Diffuser	28b	338281	617783	Drive Assy. VS-3000 Controls
14	872183	608272	Washer, Base	28c	338821	628480	Drive Assy. SVRS Controls
15	872184	40900	Washer, Seal Plate	29	332481	CALL	Motor Fan
16	872528	601139	Diffuser	30	3381833	CALL	Motor, Variable Speed
17	873131	601187	Impeller	31	338612	628335	Cover Hardware
18	873713	622189	Rubber Washer	32	PS-1888V	48679	Pump Seal (8717345)

Pentair Pumps
IntelliFlo XF & WhisperFlo XF

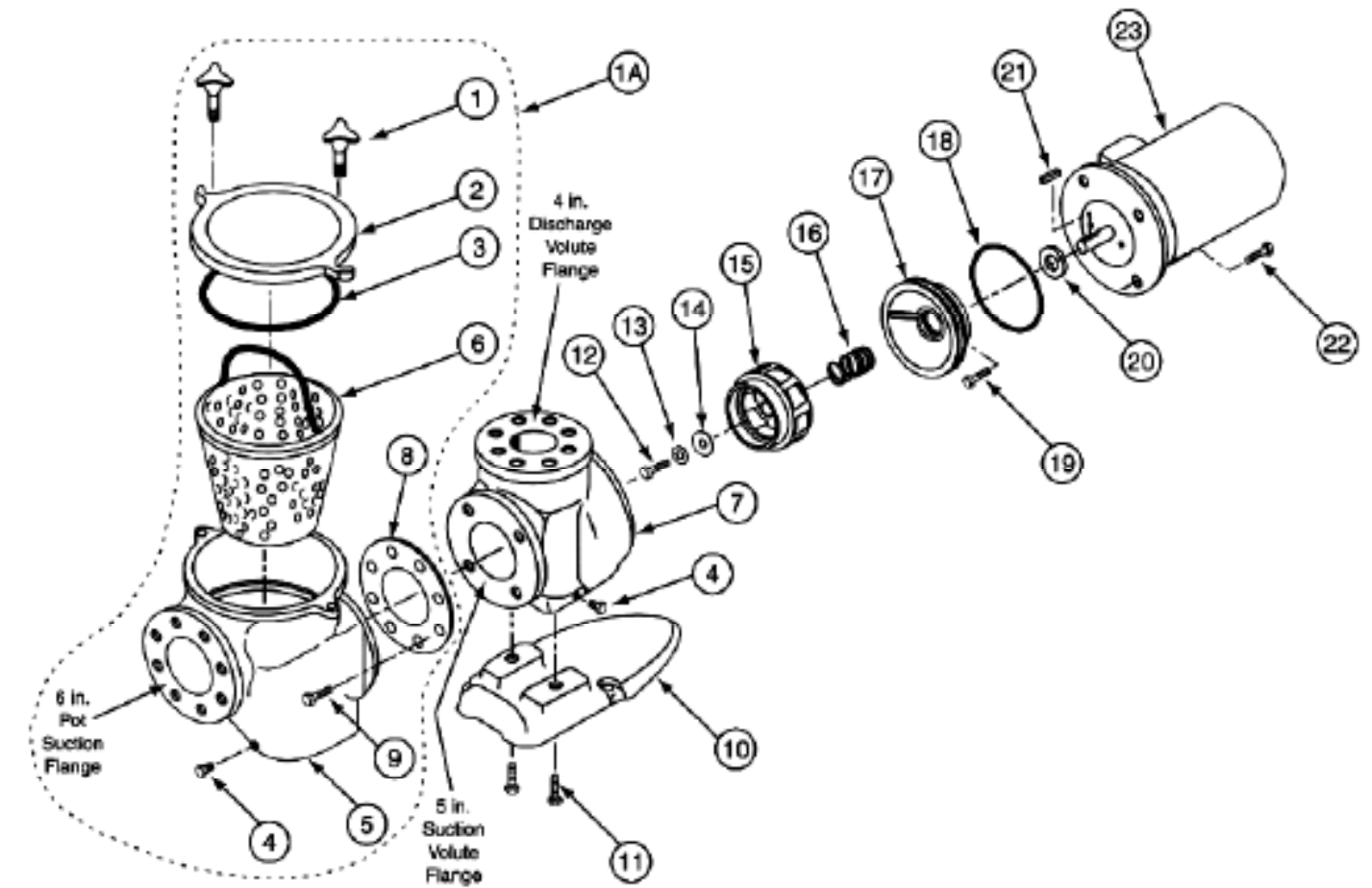
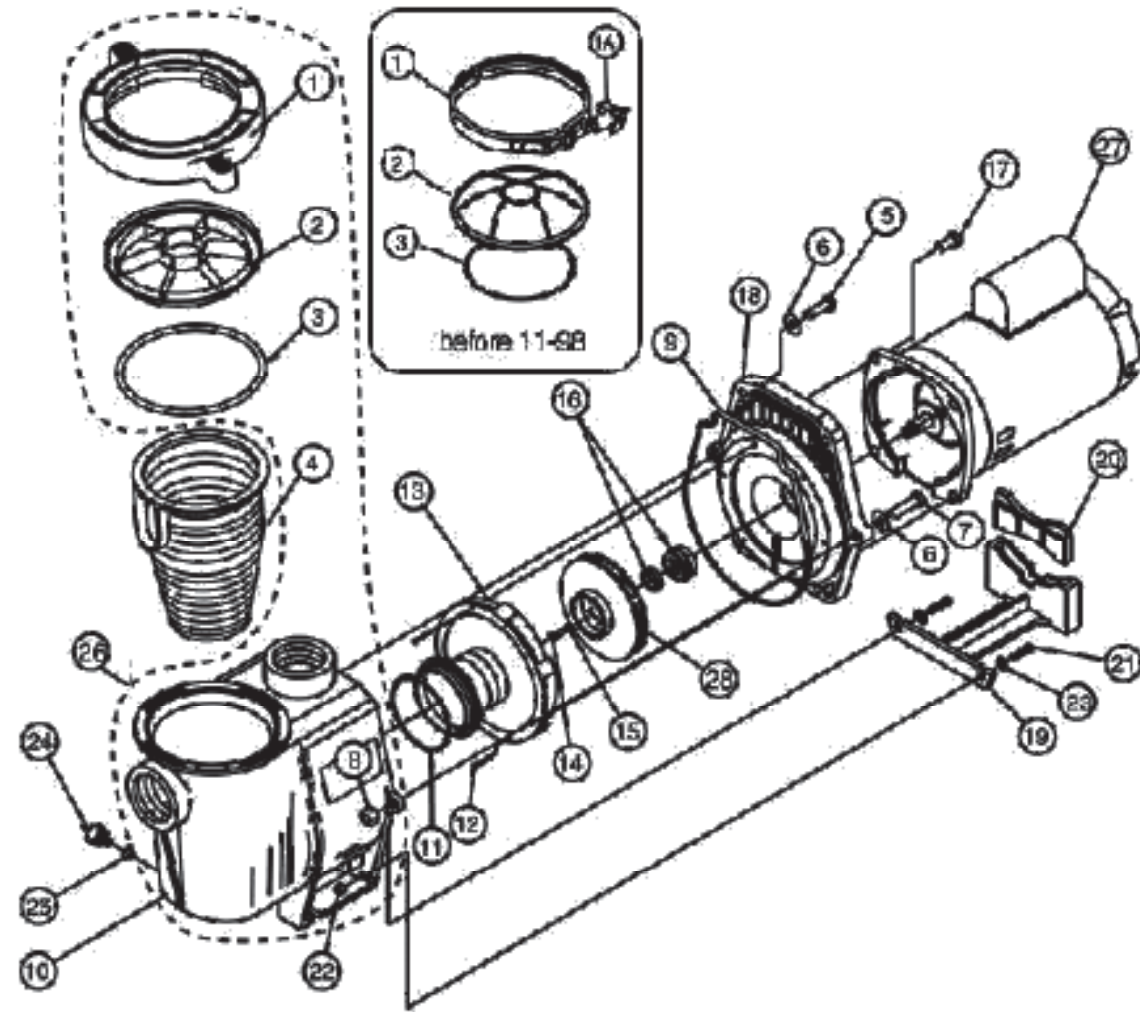


Key	Part#	Sku	Description	Key	Part#	Sku	Description
1	400000	CALL	Wet End Assembly	20			Diffusers - Varies by Model
2	430020	CALL	Union Kit	20a	400010Z	CALL	IntelliFloXF
3	Power End Assy w/Drive B Motor - Varies by Model						
3a	400001Z	CALL	IntelliFloXF Variable Speed	20b	400010Z	CALL	WhisperFloXF B & 12
3b	400012Z	CALL	WhisperFloXF Stbl. E 2HP	Models: XFB-12, XF30, XFE8-30, XFD58-30, XFJ8-12, XFK8			
3c	400013Z	CALL	WhisperFloXF Stbl. E 3HP	20c	400011	CALL	WhisperFloXF 20
3d	400002Z	CALL	WhisperFloXF High E	Models: XFE20, XFJ20, XFK12			
4	400006	CALL	Lid w/Lock Ring	21a	37337-6280	626691	Screw, Impeller (Reverse Thrd.)
5	400007Z	CALL	Bracket	21b	33403-3047	626363	O-ring, Impeller Screw
6	33003-3440	622330	O-Ring, Lid	22	331406	CALL	O-ring, Seal Plate
7	071131	601136	Drain Plug	23	Impellers - Varies by Model		
8	01-130	66328	O-Ring, Drain Plug (152113)	23a	400015	632860	IFXF Variable Speed
9	431000	CALL	Mat, Union	23b	400015	632860	WFXF XF12, XFE12, XFD512, XFJ12, XFK12
10	430001	CALL	C-Clip, Locking Ring	23c	400020Z	632861	WFXF XFB, XFE8, XFD58, XFD530, XF30, XFE30, XFJ8, XFK8
11	430002	CALL	Adapter, Union	23d	400023Z	632862	WFXF XFE20, XFJ20, XFK20
12a	430002Z	CALL	Diamond Seal Kit, IFXF	24	37400-00205	626307	Pump Seal
12b	430016Z	CALL	Diamond Seal Kit, WFXF	25	400002	CALL	Seal Plate
13	400004Z	CALL	Motor Base	26a	330010Z5	617703	Motor Kit IntelliFloXF
14	337160	CALL	Support Insert, Base	26b	Motor	CALL	Motor Kit WhisperFloXF (Square Flange)
15	071413	CALL	Acorn Nut (each)	27	330012	626638	Hardware B Basket Kit
16	U43-1255	600032	Split Lock Washer (each)	28	330021	617703	Drive Assy. Kit
17	072104	612371	Washer, ac.	29	330021	CALL	Wire Cover w/Socket
18	300006	CALL	O-Ring, Diffuser	30	330001	617701	Central Cover Assy. Kit
19	330023	CALL	Screw, Diffuser				

Key	Part#	Sku	Description	Key	Part#	Sku	Description
1	Motor		Square Flange	11a	CI-271.P1	40206	Diffuser 1/2 to 1-1/2HP
2	U43-2255	620134	Screw	11b	CI-271.P	40207	Diffuser 1-3/4HP
2a	U43-2255	621629	Lock Washer	11c	CI-271.PA	CALL	Diffuser 2 to 3HP
3	U17-368	621178	Bracket Lug	12	O-33	62003	O-ring, Diffuser (M9-374)
4	17331-0000	621200	Water Slinger	13	U43-2155	620117	Lock Washer, Diffuser
5	C203-194P	40730	Seal Plate Kit (Includes 6 & 7)	14	U43-34255	620148	Screw, Diffuser
6	O-240	62003	O-ring, Seal Plate (M9-228A)	15	17307-01105	622733	Thrust Housing Assy. (incl. 15-19)
7	PS-280V	40678	Pump Seal (37400-00275)	16	17307-01115	622348	Cover Kit (Lid, Ring & O-ring)
8	WC36-22	44881	Knob, Clamp	17	33003-1440	622008	O-ring, Cover
9	CI9-37A	620034	V-Clamp	18	B-213	36437	Bracket (12-38P)
10 - Impellers (Single Phase)							
	C105-238PX	622574	1/2HP	19a	16304	16304	Drain Plug, 1/4"
	C105-238P	40493	3/4HP	19b	U178-520P	40205	Drain Plug, 1/4" w/O-ring
	C105-238PB	40496	1HP	19c	O-35	62079	O-ring, Drain Plug (M9-335)
	C105-238PDBA	40498	1-1/2HP	20	U43-0155	621243	Washer, Base
	C105-238PDCA	622381	1-3/4HP	21	U43-01855	40200	Screw, Base
	C105-238PEBA	40511	2HP	22a	CA-78P	CALL	Base
	C105-238PLA	40512	3HP	22b	C104-79P	621243	Base w/Motor Pool
	C105-238PBA	600965	2-Speed 1/4 to 1-1/2HP	23a	CEI-43	40204	Motor Pool
	C105-238PDBA	40498	2-Speed 1/3 to 2HP	23b	CEI-44	40206	Motor Pool (for 3HP)
20a	31303-1426	620474	O-ring, Impeller Screw	24a	U43-7455	620003	Bolt, Motor
20b	U43-0025	620034	Bolt, 3HP Motor	24b	U43-0025	620034	Bolt, 3HP Motor

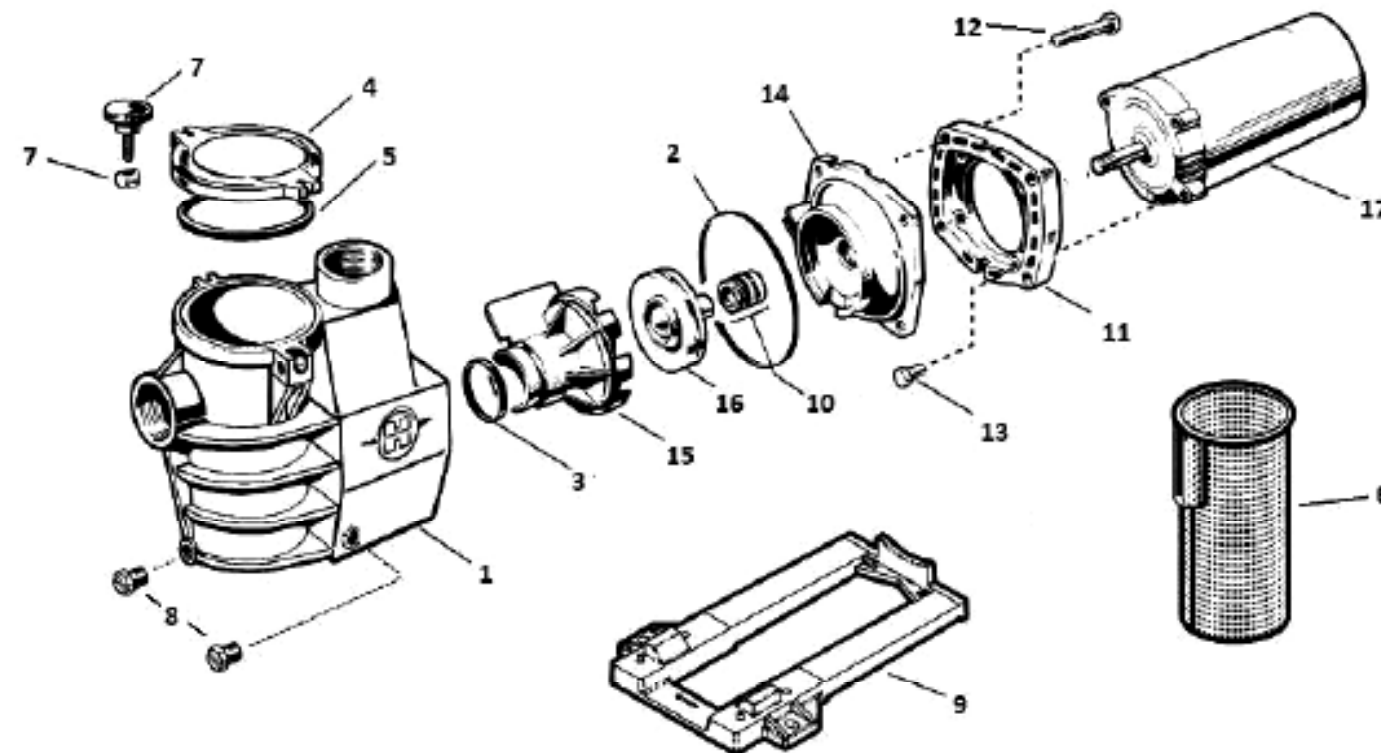
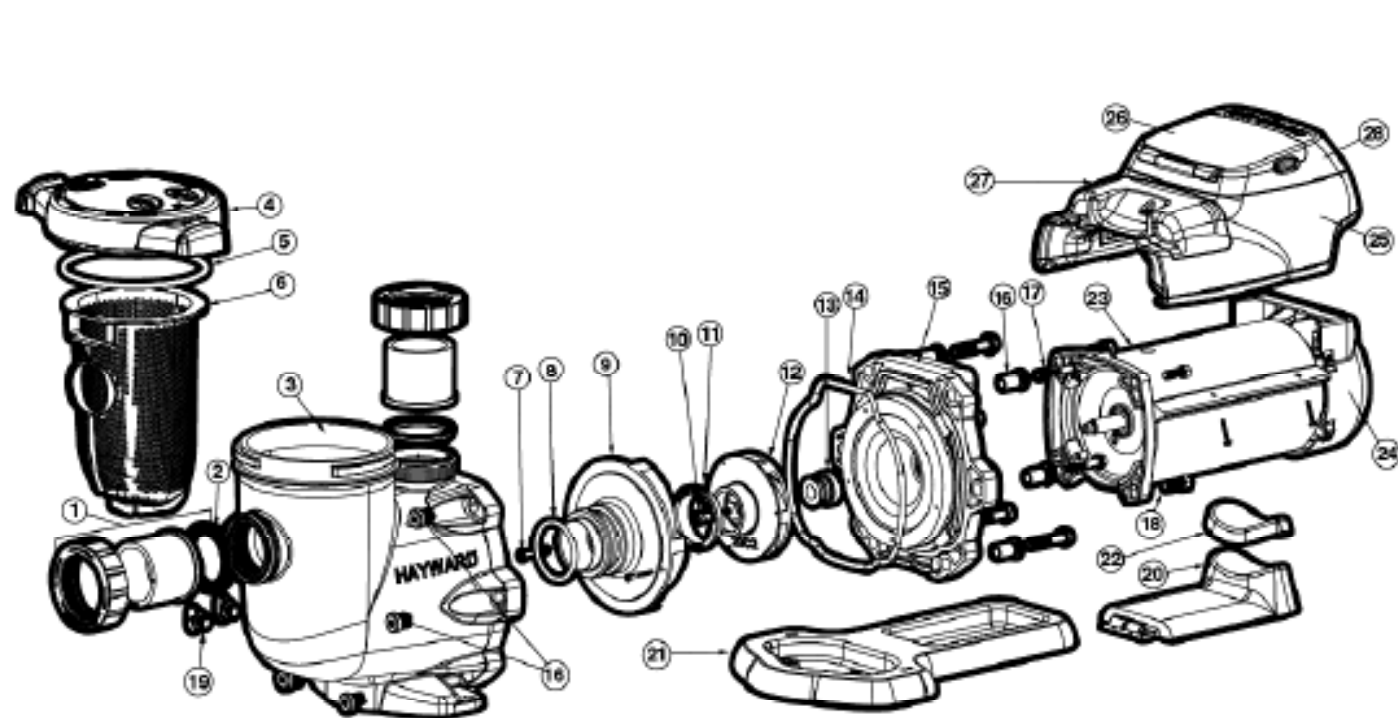
Pentair Pumps
WhisperFlo

Pentair Pumps
C-Series



Key	Part#	Sku	Description	Key	Part#	Sku	Description
1a	071136	623251	Bolt, Clamp (Pre-1998)	14	071632	621139	Screw, Impeller
1b	070711	621383	Lid Clamp, SS (Pre-1998)	15	173733	38252	Gasket, Impeller
1c	337159	622484	Cam Clamp, Almond (1999-Current)	16	PS-3000V	48679	Pump Seal (0717945)
1d	337130	62037	Cam Clamp, Black (1998-99)	17	070429	620825	Bolt, Motor
2a	070759	621142	Cover, Clamp Style (Pre-1998)	18	330201	622824	Seal Plate Kit (incl. 16), Almond
2b	337131	62036	Cover, Cam Style (1998-)	19	070927	621138	Base, Almond
3a	O-105	62380	O-ring, Cover (Pre-1998) 073422	20	070929	621137	Spacer, Almond Base
3b	O-318	62110	O-ring, Cover (1998-) 330013	21	071637	629187	Screw, Base
3, 9, 11		62332	O-ring kit	22	071406	623247	Nut, Base
4	B-199	36280	Basket (070357)	23	072183	623272	Washer, Base
5	070430	62025	Bolt 3/8" x 7/8", Housing	24	071133	621136	Drain Plug, Almond
6	072194	42820	Washer 3/8", Housing	24	337161	42820	Drain Plug, Black
7	070431	629105	Bolt 3/8" x 2", Housing	25	O-130	62328	O-ring, Drain Plug (152113)
8	071403	44480	Nut 3/8", Housing	26a	337163	617700	Strainer Assy. (incl. 3-8, 20 & 24-25)
9a	O-304	64323	O-ring, Seal Plate (Pre-1998) 071443	26b	337169	620323	Volute Assy. (incl. 070342) Almond
9b	G-413	64640	Gasket, Seal Plate (1998-) 337102	27	Motor		Square Flange
10a	337149	620323	Volute, Almond (incl. 070342)	28a	073126	621252	Impeller 1/2HP (3/4UB)
10b	330713	622715	Housing, Almond	28b	073127	621251	Impeller 3/4HP (1UB)
11	O-305	62324	O-ring, Diffuser (071444)	28c	073128	621250	Impeller 1HP (1-1/2UB)
12	071637	621140	Screw, Diffuser	28d	073129	621249	Impeller 1-1/2HP (2UB)
13a	072927	621135	Diffuser 1/2 to 1-1/2HP	28e	073130	621248	Impeller 2HP (2-1/2UB)
13b	072928	621136	Diffuser 3HP	28f	073131	621247	Impeller 3HP

Key	Part#	Sku	Description	Key	Part#	Sku	Description
1	073280	621304	Knob, Lid	15b Impellers, High Head			
2	073273	621139	Lid, Strainer	073828	601208	5HP	
3	073433	620737	O-ring, Lid	073829	601165	7.5HP	
4	071331	42640	Drain Plug 1/4"	073830	601205	10HP	
5	073271	621160	Strainer Duty	073831	601163	15HP	
6	072793	621726	Basket 11"	073832	601162	20HP	
7	073273	621161	Volute	16	071723	621167	Pump Seal 360
8	070943	620747	Gasket, 3" Flange	17	070906	621166	Seal Plate Flange
9	073683	629112	Screw 3/4", Flange	18	073423	620208	O-ring, Flange
10	073287	621226	Base	19	073621	62036	Screw 3/8", Flange
11	073688	629111	Screw 3/8", Base	20	072183	621136	Water Slinger
12	073037	621137	Locking Screw, Impeller	21	073046	621133	Key, Pump Shaft
13	073048	621138	Washer, Impeller	22	073637	629110	Set Screw 1/2"
14	073713	622129	Gasket, Impeller Screw	23	Motor	CALL	220/240V Single or 3-Phase
15a Impellers, Medium Head							
	070228	601207	5HP				
	070227	601206	7.5HP				
	070226	601164	10HP				
	070225	601204	15HP				

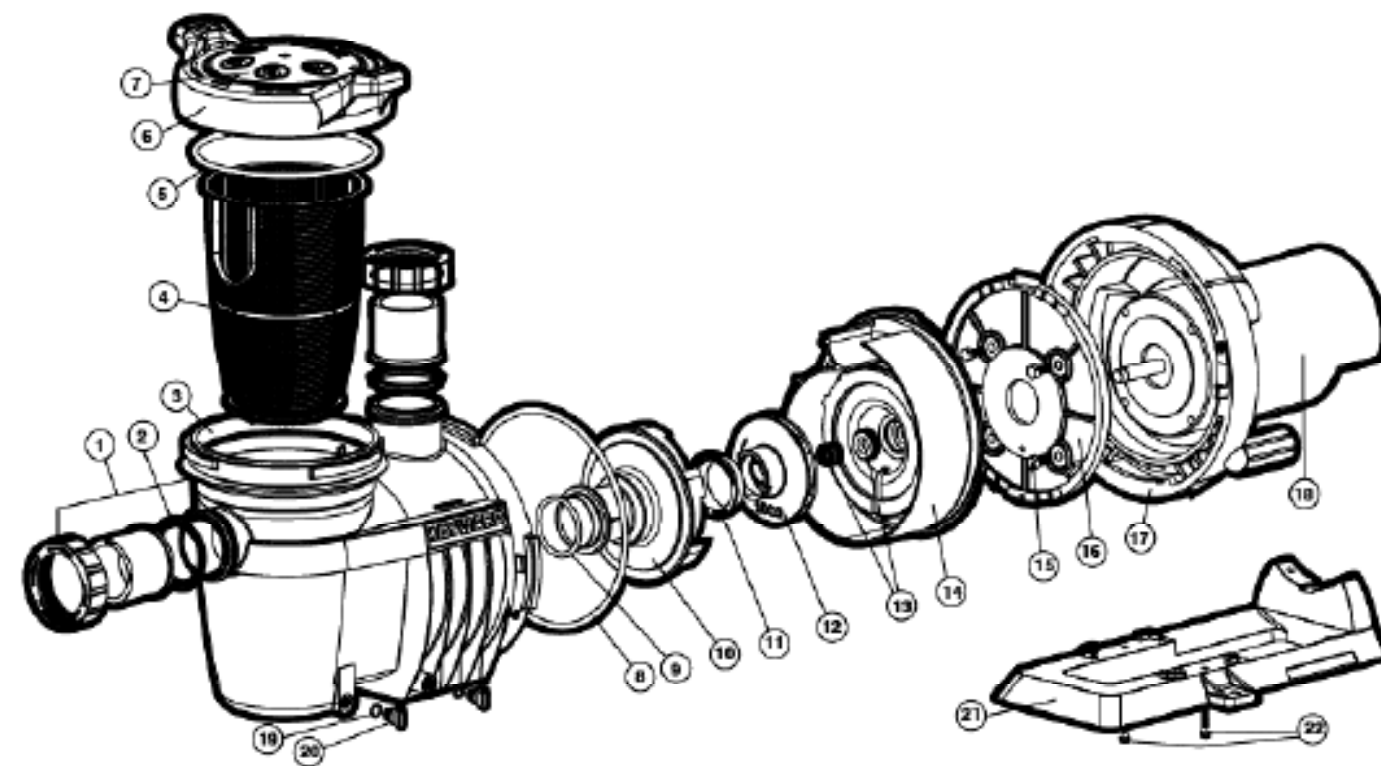
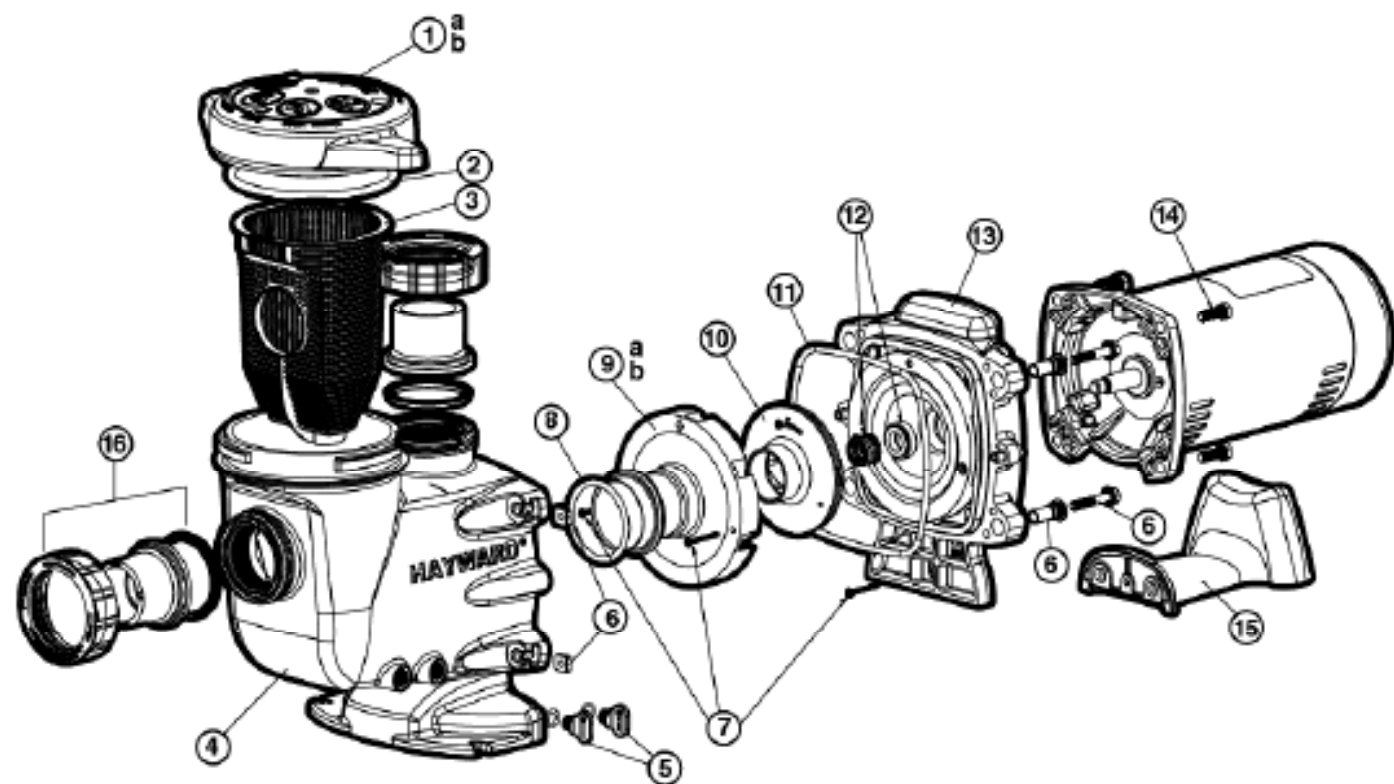


Key	Part#	Sku	Description	Key	Part#	Sku	Description
1	SPXCL2800LKIT	32280	Union Connector Kit	16	SPXCL2800Z2L1	623893	Insert Spacer, Housing
2	SPXCL2800LG	623808	Gasket, Union T-Seal	17	SPXCL2800Z3	623860	Bolt, Housing
3	SPXCL2800A	624087	Strainer Housing	18	SPXCL2800Z4	623892	Bolt, Motor
4	SPXCL2800LS	623906	Cover Kit	19	SPXCL2800Z5	40643	Drain Plug w/O-Ring
5	SPXCL2800S	66112	O-Ring, Cover	20	SPXCL2800Z6	623887	Motor Bracket
6	SPXCL2800M	39091	Basket	21	SPXCL2800ZF	623890	Motor Spacers, Short
7	SPXCL2800Z8	623807	Screw, Diffuser	22	SPXCL2800ZJ	CALL	Adaptor, Base
8	SPXCL2800Z1	66333	O-Ring, Diffuser	23	SPXCL2800ZLECM	617676	Motor
9	SPXCL2800Z3	623889	Diffuser	24	SPXCL2800ZPAN	617677	Shroud, Motor Fan
10	SPXCL2800Z1	623780	Screw, Impeller	25a	SPXCL2800Z1	617678	Motor Drive w/Interface
11	SPXCL2800Z1L	48034	Ring, Impeller	25b	SPXCL2800Z1V	617671	Motor Drive w/Interface SVRS
12	SPXCL2800Z1	623909	VS Impeller w/Screw	26	SPXCL2800Z1A	617672	Cover, Interface Display
13	SPXCL2800Z1A	48709	Pump Seal	27	SPXCL2800Z1B	617673	Wiring Cover
14	SPXCL2800T	66113	O-Ring, Housing	28	SPXCL2800Z1D	617674	Digital Interface Assy.
15	SPXCL2800E	623912	Seal Plate		SPXCL2800Z1KIT	617673	Wall Mounting Kit

Key	Part#	Sku	Description	Key	Part#	Sku	Description
1a	SPXCL2800AAC	613062	Housing Connection Kit Includes: Housing, Basket, Cover, Cover Gasket & Nuts/Washers	13	SPXCL2800Z14	48062	Bolt, Motor
1b	SPXCL2800AA	681273	Housing, 2800-Series (Pre-1993)	14	SPXCL2800Z1T2	48743	Seal Plate
2	G-20	64333	Gasket, Housing (SPXCL600T)	15	SPXCL2800Z1	48277	Diffuser
3	O-341	64385	Gasket, Diffuser (SPXCL600)	15a	SPXCL2800Z1C	48423	Impeller, 1/2HP, 2800-Series
—	SPXCL600TMA	613083	Seal Assembly Kit Includes: Seal Assembly, Diffuser Gasket and Housing Gaskets	15b	SPXCL2800Z1D	48417	Impeller, 3/4HP, 2800-Series
4	SPXCL2800A	48783	Cover, Strainer	16c	SPXCL2800Z1E	48416	Impeller, 1HP, 2800-Series
5	O-76	64430	Gasket, Strainer (SPXCL280T)	16d	SPXCL2800Z1F	48415	Impeller, 1-1/2HP, 2800-Series
6a	SPXCL2800A	626397	Basket (Pre-1993)	16e	SPXCL2800Z1G	48420	Impeller, 2HP, 2800-Series
6b	SPXCL2800B	680302	Basket (1993-)	17	Motor		C-Face Thr. Shaft
7a	SPXCL2800Z4	48035	Horizontal Mount (Pre-1994)				
7b	SPXCL2800Z4	48038	Horizontal Mount & Nut Kit (1993-)				
8a	SPXCL2800V	687504	Drain Plug, 1/4" (Pre-1993)				
8b	SPXCL2800G	16304	Drain Plug 1/4"				
9	SPXCL2800Z1	38381	Pump Base w/Spacer				
9a	SPXCL2800Z1Z	48631	Screw, Base				
10	P5-281V	48678	Pump Seal (SPXCL600Z2)				
11	SPXCL2800Z3	48090	Motor Mounting Plate				
12	SPXCL2800Z4	48067	Bolt, Housing				

Drive Train Upgrade Kits— 1800-Series Pumps
Includes: Impeller, Diffuser, Seal Plate & Gaskets
For replacement SPX1800 part numbers (Pre-1983) use these new kits to improve flow, GPM, reduce noise and provide better energy efficiencies. Older style parts are no longer available individually.

15-16	SPX2800CKIT	600660	Drive Train Upgrade, 1/2HP
15-16	SPX2805CKIT	600659	Drive Train Upgrade, 3/4HP
15-16	SPX2807CKIT	600658	Drive Train Upgrade, 1HP
15-16	SPX2810CKIT	600657	Drive Train Upgrade, 1-1/2HP
15-16	SPX2813CKIT	600656	Drive Train Upgrade, 2HP

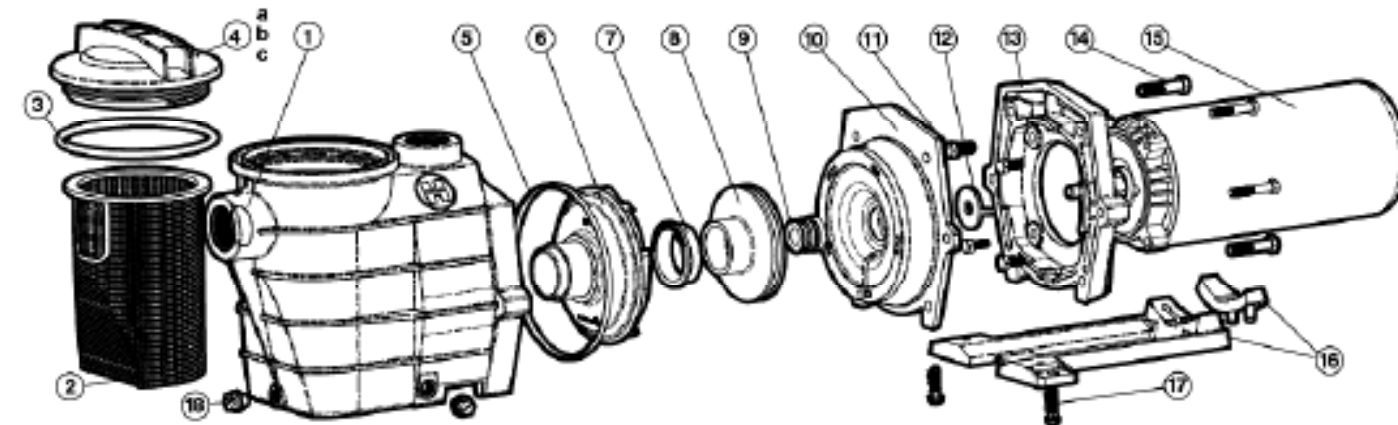
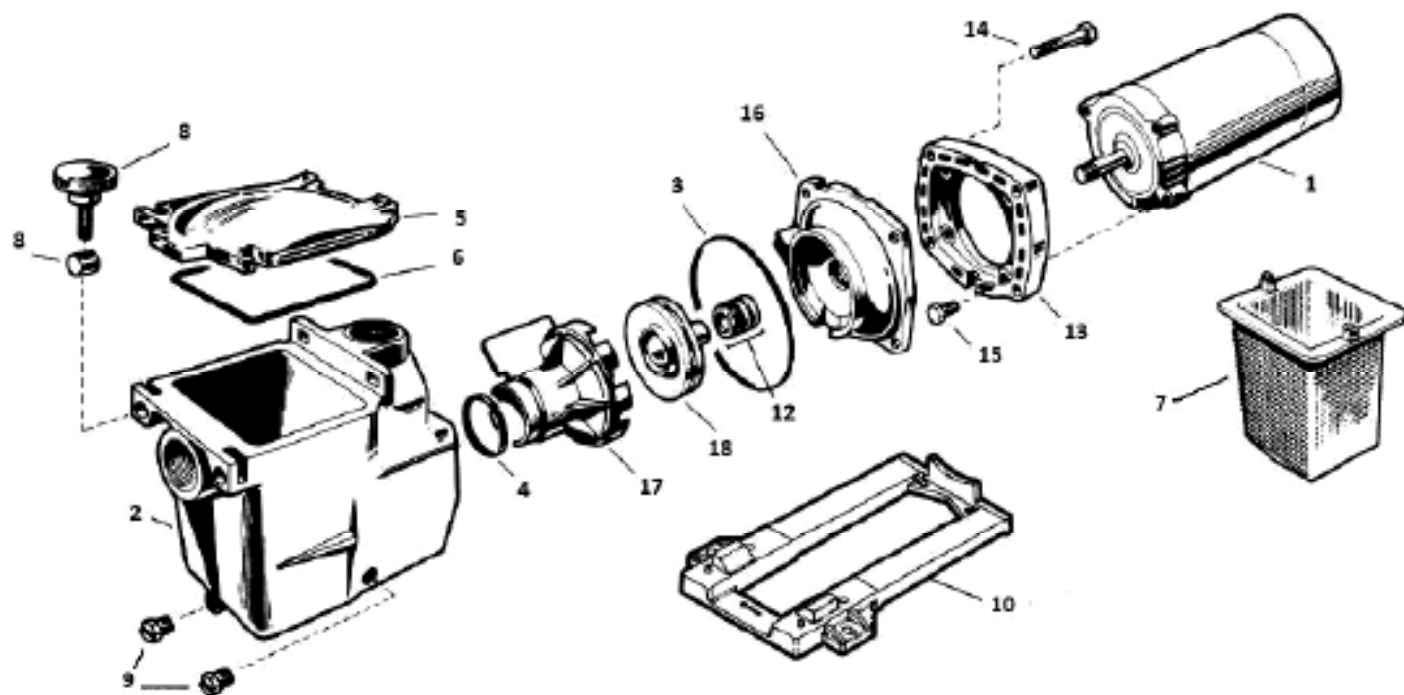


Key	Part#	SKU	Description	Key	Part#	SKU	Description
1a	SP2700OLS	40121	Cover Kit (incl. Cover, Lock-Ring & O-Ring)	11	O-263	66282	O-Ring, Housing (SMD000F)
1b	SP2700OLSb	40120	Cover Kit (for Biguanite Strainers)	12	SP2700SA	40714	Pump Seal
2	SP2700S	66286	O-Ring, Cover	13	SP2700E	40132	Seal Plate
3	SP2700M	36282	Basket	14	SP2700Z	623752	Bolt, Motor
4	SP2700MA	40123	Pump Housing Kit	15	SP2700G	40134	Pump Base
Includes: Housing, Cover Assy, Basket & Plug				16	SP2700MKT	40133	Half Union (2-pk)
5	SP2700FG	40543	Drain Plug	16a	SP2700MKG	623808	Gasket, Union
6	SP2700SPAK	40124	Hardware Pack (16b	SP2700C	40128	Impeller, 3/4HP
Includes: 4 Housing Bolts, Nuts, Seal-Plate & Spacers				16c	SP2700CM	40129	Impeller, 1HP
7	SP2700S3	40126	Diffuser Screen (3-Req.)	16c	SP2718CM	40130	Impeller, 1-1/2HP
8	SP2700Z	66282	O-Ring, Diffuser	16d	SP2713CM	40131	Impeller, 2HP
8a	SP2700B	40127	Diffuser, 1/2 to 1-1/2HP				Motor Square Flange
8b	SP2700E	40124	Diffuser, 2HP Only				

Key	Part#	SKU	Description	Key	Part#	SKU	Description
1a	SP2700UNPKT	52280	Union Kit (2008-)	10	SP4000B	48278	Diffuser
1b	SP2700UNPAK1	62782	Union Kit (Pre-2007)	11	SP38021R	40214	Impeller Ring
1c	SP2700UNPAK2	623861	Conical Union (Pre-2007)	12a	SP40007CIT	600543	Impeller 3/4HP (110)
2	SP2700UG	623808	T-Seal Gasket, Union	12b	SP40008CIT	600542	Impeller 1HP (1-1/2LW)
2a	O-83	66283	O-Ring, Union (Pre-2007) SP4000021	12c	SP40013CIT	600541	Impeller 1-1/2HP (200)
3a	SP2700HP	CALL	Pump Housing (2008-)	12d	SP40020CIT	600540	Impeller 2HP (2-1/2LW)
3b	SP2700HSEKIT	CALL	Housing Kit (incl. 1, 3, & 4)	12e	SP40029CIT	600539	Impeller 3HP
4a	B-213	36283	Basket (SP2700MA)	12f	SP40030CIT	600538	Impeller 3HP
5a	SP2700G	CALL	O-ring, Cover (2008-)	13	SP2700SA	40714	Pump Seal
5b	SP2700G5	623804	T-Ring, Cover (2003-2007)	14	SP4000E	600546	Seal Plate
5c	O-264	66222	O-Ring, Cover (Pre-2003) D40B06	15	SP40123094	40052	Bolt, Motor
6-7 — Cover & Lid				16	SP4000F	600545	Mounting Plate, Motor
SPX4000CLO				17	SP4000K	600544	Lock Ring, Motor
SPX4000DLT				18			Motor C-Face
2, 5, 8-9				19-20	SP4000FG	40543	Drain Plug w/O-ring
8	O-263	64588	O-ring, Seal Plate (SP2700E)	21-22	SP4000GA	600547	Mounting Base
9	O-83	66283	O-ring, Diffuser (SP2700S3)	22	SP01600212	40211	Bolts, Base

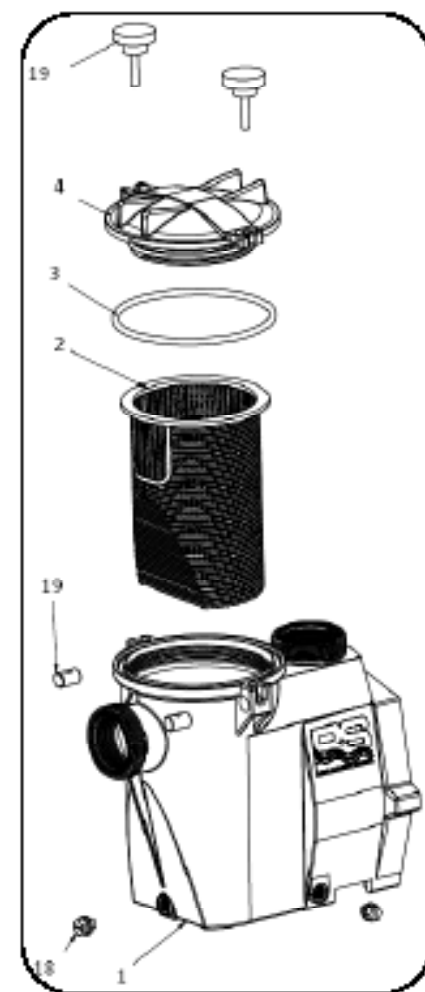
Hayward Pumps
Super Pump
SP1600 & SP2600 Series

Hayward Pumps
RS & Super II
RS & SP3000 Series

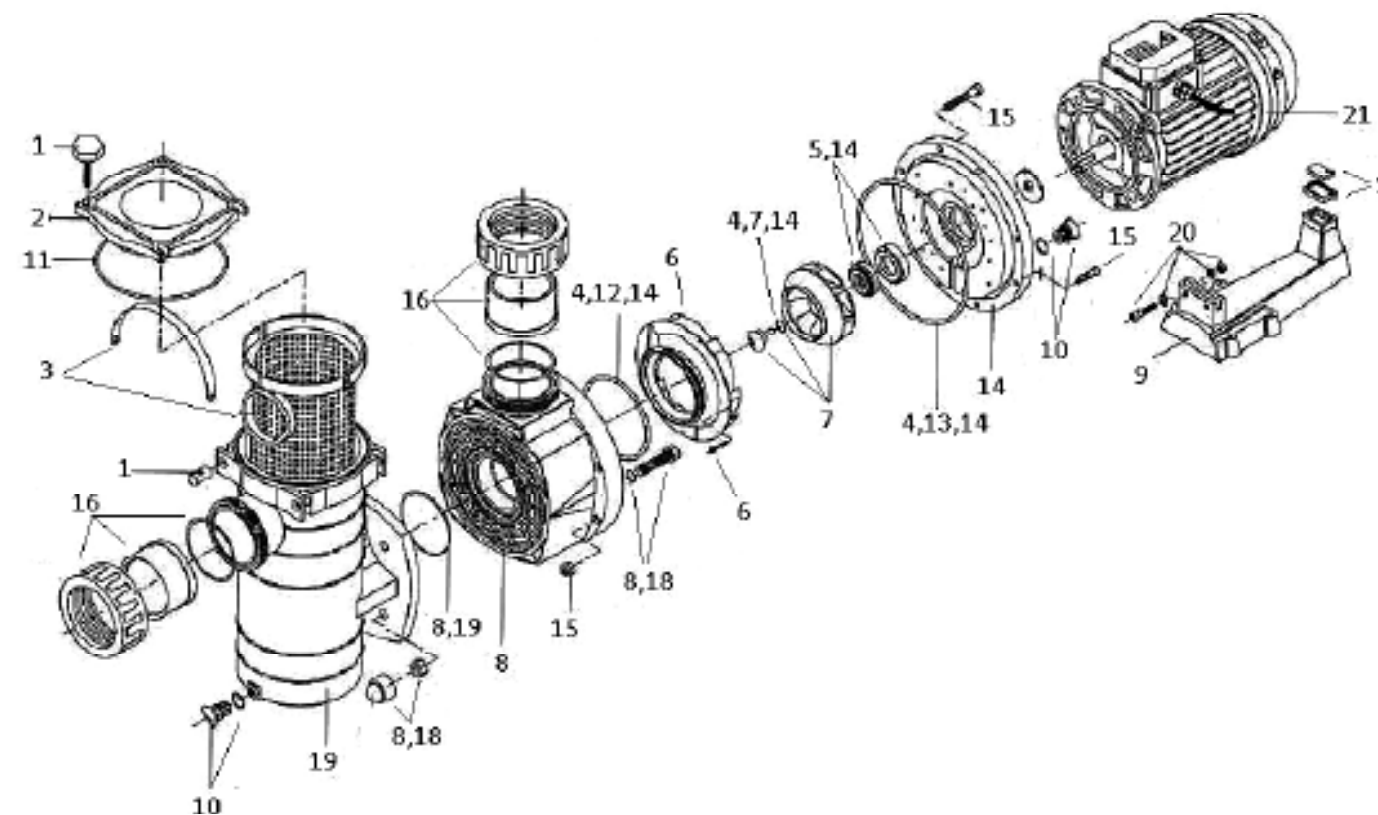
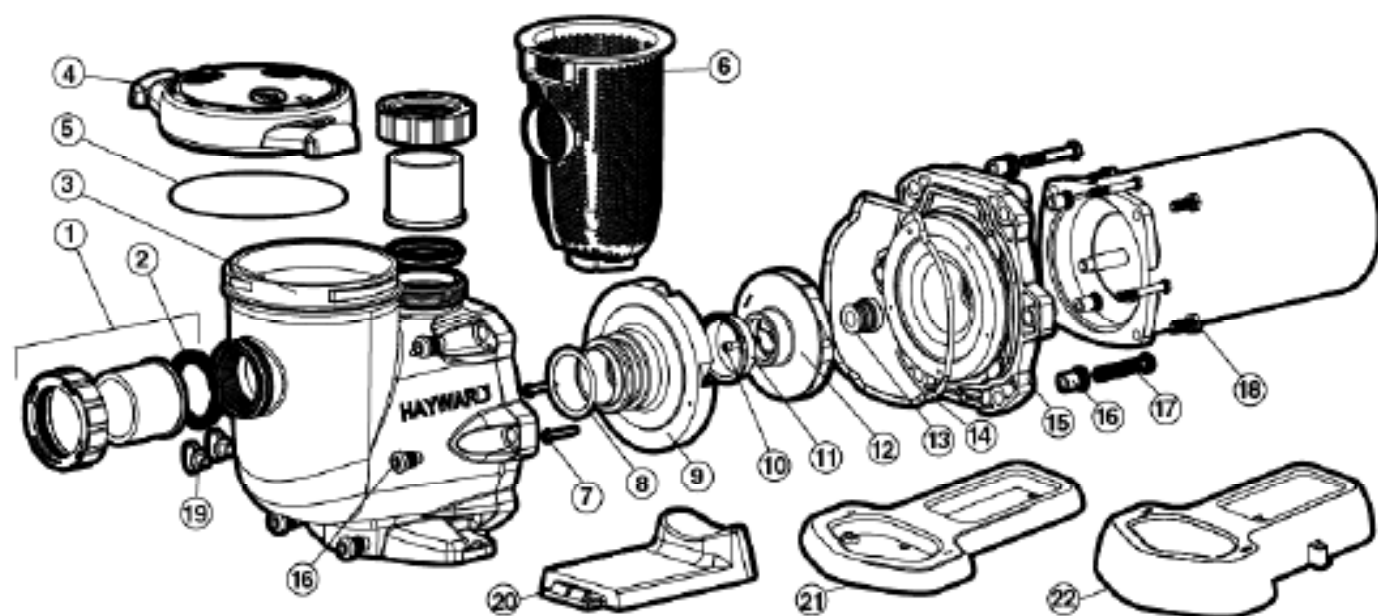


Key	Part#	Sku	Description	Key	Part#	Sku	Description
1			Motor C-Face Thr. Shaft	Diffusers & Impellers — 2600 Series Pumps			
2a	SP1600AA	40632	Housing 1-1/2" Ports w/Plugs	17a	SPX2600B	60663	Diffuser, 1/2 to 2HP
2b	SP1600BA	40641	Housing 2" Ports w/Plugs	17b	SPX2610B	60664	Diffuser, 2-1/2HP only
3	G-33	64333	Gasket, Housing (SP1600T)	18a	SPX2600C	40423	Impeller, 1/2HP
4	O-141	64383	Gasket, Diffuser (SP1600F)	18b	SPX2607C	40417	Impeller, 3/4HP
3,4,6		65883	O-Ring Kit	18c	SPX2607C	40416	Impeller, 1HP
—	SP1600TRA	61383	Seal Assembly Kit	18d	SPX2610C	40415	Impeller, 1-1/2HP
			Includes: Pump Seal, Housing Gasket & Diffuser Gasket	18e	SPX2613C	40420	Impeller, 2HP
3	SP1600D	40780	Cover, Strainer	18f	SPX2621C	40422	Impeller, 2-1/2HP
6	O-177	64440	Gasket, Cover (SP1600S)	Drive Train Upgrade Kits: 1600-Series Pumps			
7	B-167	36070	Basket (SP1600M)	Includes: Impeller, Diffuser, Seal Plate, Motor Plate & Gaskets			
8	SP1600PM	40328	Head Kwik Kit (Comb & Swivel Nut)	For Replacement SP1600X part numbers (Pre-1983) use these new kits to improve flow, GPM, reduce noise and provide better energy efficiencies.			
5a	SP1600V	60784	Drain Plug 1/4" (Pre-1981)	Older Style Individual Parts Are No Longer Available.			
5b	SP1700FG	16304	Drain Plug	17-18	SPX2600KIT	60063	Drive Train Upgrade, 1/2HP
10	SPX2600G1	38381	Pump Base w/Motor Adpt.	17-18	SPX2605KIT	60064	Drive Train Upgrade, 3/4HP
11	SP1600ZS2	40621	Screw, Base	17-18	SPX2607KIT	60063	Drive Train Upgrade, 1HP
12	PS-201V	40678	Seal Assembly (SP1600Z2)	17-18	SPX2610KIT	60062	Drive Train Upgrade, 1-1/2HP
13	SP1600F3	40290	Motor Mounting Plate	17-18	SPX2613KIT	60061	Drive Train Upgrade, 2HP
14	SP1600S4	40637	Bolt, Housing				
15	SP3001Z1244	40652	Bolt, Motor				
16a	SPX2600E1	40288	Seal Plate, 1/2 to 2HP				
16b	SP1611E1	CALL	Seal Plate, 2-1/2HP only				

Key	Part#	Sku	Description
1a	SP1600AA	40636	Pump Housing/Strainer 1-1/2" Ports (Kwik Style Lid)
1b	SP1600AAZ	626401	Pump Housing/Strainer 1-1/2" Ports (Threaded Lid)
1c	SP1600BA	40637	Pump Housing/Strainer 2" Ports (Kwik Style Lid)
1d	SP1600BAZ	40633	Pump Housing/Strainer 2" Ports (Threaded Lid)
2	B-209	36080	Basket (SP1600M)
3	O-12	66108	O-Ring, Lid (SP1600S)
3,5,7		65882	O-Ring Kit
4a	SP1600D1	40736	Cover, Kwik Style
4b	SP1600D2	40043	Cover, Threaded
4	SP1600T	40000	Pump Lid Wrench
5	G-343	64331	Gasket, Pump Housing (SP1600T)
6a	SP1600B5	40270	Diffuser 3/4 to 2HP (Pre-1987)
6b	SP1600B6	40273	Diffuser 3/4 to 2-1/2HP
6c	SP1600B8	40274	Diffuser 2-1/2 to 3HP (Pre-1988)
6d	SP16021B	40276	Diffuser 2 to 3HP
7	O-343	64323	Gasket, Diffuser (Not Shown) SP1600M
7a	SP1600C1	40013	Impeller Ring, SP1600-Series
7b	SP16021B	40014	Impeller Ring, 2 to 3HP (SP1610C, SP1612C & SP1602C)
8a	SP1600C1	40406	Impeller 3/4HP (1/2HP)
8b	SP16007C	40407	Impeller 1HP (3/4HP)
8c	SP16008C	40408	Impeller 1-1/2HP (1HP)
8d	SP16009C	40409	Impeller 2HP (1-1/2HP)
8e	SP16021C	40410	Impeller 2-1/2HP
8f	SP16022C	40432	Impeller 3HP
9	PS-201V	40678	Seal Assembly (SP1600Z2)
10a	SP1600E1	40733	Seal Plate, SP1600-Series
10b	SP1600E2	40731	Seal Plate, SP2600-Series
11	SP3001Z1244	40652	Bolt, Motor
12	G-71	60067	Slinger Gasket (SP1602F)
13	SP1600F	40009	Mounting Plate
14a	SP1600G2	40057	Bolt, Housing
14b	SP1600G2Z1	40001	Washer, Bolt
15	SP1600G5A	40057	Motor Adapter
17	SP1600ZS2	40621	Bolt, Base
18	SP1600FG	16304	Drain Plug, 1/4"
19	SP1600PM	40328	Kwik & Swivel Mat Kit (Pair)



Kwik Style Pump Housing For RS Pumps

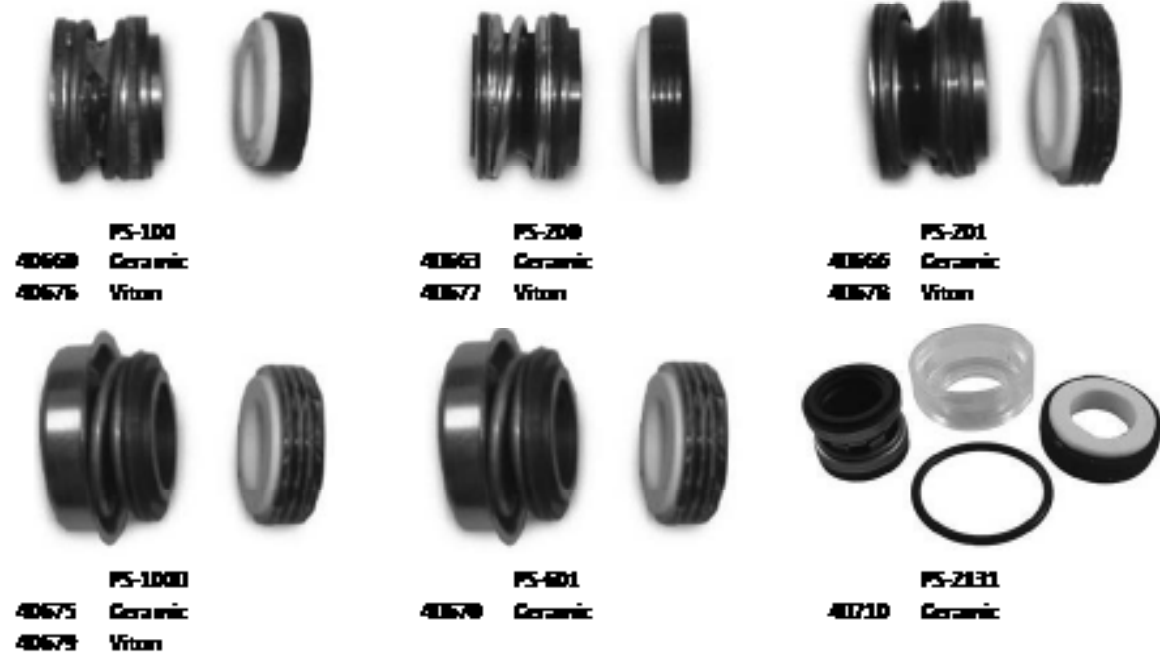


Key	Part#	SKU	Description	Key	Part#	SKU	Description
	Motor		Square Flange	12d	SP32213C	628896	Impeller 1-1/2HP (ZUM)
1	SP32201UMKIT	52280	Union Kit	12e	SP32220CM	CALL	Impeller (2-1/2UM)
2	SP32201MG	628888	Gasket, Union	12f	SP32220C	628888	Impeller 2HP (BUR)
3	SP32202A	628887	Strainer Housing	12g	SP32230C	628810	Impeller 3HP
4a	SP32202LS	628886	Cover Kit w/Lock Ring & O-ring	12h	SP32230C3	628811	Impeller 3HP
4b	SP32202LSB	628887	Cover Kit (for Biguan side)	13	SP32202SA	48708	Pump Seal
5	SP32202S	66112	O-ring, Cover	14	SP32202R	66113	O-ring, Housing
6	SP32202M	36281	Bracket	15	SP32202E	628812	Seal Plate
7	SP32202Z	628887	Screw, Diffuser	16	SP32202Z11	628883	Insert Spacer, Bolt
8	SP32202ZL	66021	O-ring, Diffuser	17	SP32202Z	62761	Bolt, Housing
9	SP32202G	628888	Diffuser	18	SP32202M	62762	Bolt, Motor
10	SP32202ZL	62780	Screw, Impeller	19	SP32202FG	48543	Drain Plug w/O-ring
11	SP32211L	40214	Impeller Ring	20	SP32202GA	628887	Support Bracket, Motor
12a	SP32202C	628878	Impeller 1/2HP (3/4UM)	21	SP32202WF	628880	Short Mixer, Base
12b	SP32202CM	628879	Impeller 3/4HP (1UM)	22	SP32202R	628881	Tall Mixer, Base
12c	SP32202C	628877	Impeller 1HP (1-1/2UM)				

Key	Part#	SKU	Description	Key	Part#	SKU	Description
1	HCP6000A	617600	Ball Kit, Lid	18	HCP6013A	617615	Drain Plug w/O-ring
2	HCP6001A	617601	Cover Kit (incl. O-ring)	19	HCP6014A	617616	O-ring, Cover
3	HCP6002A	617602	Bracket w/handle	20	HCP6015A	617617	Gasket, Diffuser
4	HCP6003A	617603	O-ring Kit: Seal Plate O-ring, Diffuser O-ring & Impeller O-ring	21	HCP6016A	617618	O-Ring, Housing
5	HCP6004A	617604	Pump Seal Kit: Pump Seal & O-ring Kit (84 Above)	22	HCP6017A	617619	Seal Plate Kit: Seal Plate, Seal Plate O-ring, Pump Seal, Diffuser O-ring & Impeller O-ring
6a	HCP6005A	617607	Diffuser w/Screws, 301 & 731	23	HCP6018A	617620	Bolt Set, Seal Plate
6b	HCP6006A	617608	Diffuser w/Screws, 1001 & 1231	24	HCP6019A	617621	Union Set (2-pk)
7	Impeller Kit: Impeller, Stapper & Impeller O-ring			25	HCP6020A	617622	Bolt, Motor
7a	HCP6007A	617609	Impeller I/HCP01	26	HCP6021A	CALL	Screw Kit, Housing
7b	HCP6008A	617610	Impeller I/HCP73	27	HCP6022A	CALL	Screw, Mat, O-ring & Cover Screw
7c	HCP6009A	617611	Impeller I/HCP100	28	HCP6023A	CALL	Strainer w/O-ring
7d	HCP6010A	617612	Impeller I/HCP123	29	HCP6024A	CALL	Bolt Set, Base
8	HCP6011A	617613	Pump Housing Kit: Housing, Strainer O-ring & Bolt O-ring	30	Motor	CALL	Bolt, Nut & Washer
9	HCP6012A	617614	Pump Base w/Spacers				

**Pool & Spa Motor Replacement Parts
Pump Seals**

**Pool & Spa Motor Replacement Parts
Pump Seals**



Manufacture Pump Model	Mfg. Part#	Pump Seal	SKU Carbon	SKU Viton	Manufacture Pump Model	Mfg. Part#	Pump Seal	SKU Carbon	SKU Viton
American Products (Pentair)									
Americana®	395003	PS-201	40666	40678	American Motor Pump	A-B	PS-200	40663	40677
Americana II®	397012	PS-1000	40673	40679	Doughboy/Lomart (Hoffinger)				
Bronze-Bronze	397012	PS-1000	40673	40679	Doughboy	306-1006	PS-1000	40673	40679
Bronze-Nonyl®	395003	PS-201	40666	40678	Doughboy	306-1006	PS-200	40663	40677
Eagle®	397012	PS-1000	40673	40679	Lomart	40-627	PS-163	601116	
Eagle®	397020	PS-1000	40673	40679	Lomart	40-029	PS-163	601116	
Maxim™	397012	PS-1000	40673	40679	Hopewell				
Power-Glass®	397012	PS-1000	40673	40679	Booster Pump 3060	SPX1250K22C	PS-200	40663	40677
Ultra-Flo®	397020	PS-1000	40673	40679	Booster Pump 6060	SPX32005A	PS-3857	40734	40677
A-Series	92500000	PS-1000	40673	40679	Eco-Star	SPX32005A	—	40709	
A & B Series	92509040	PS-1000	40673	40679	Max-Flo®	SPX060022	PS-201	40666	40678
AC-Series	92500000	PS-300	601283		Max-Flo II®	SPX27005A	PS-3867	40714	40677
C-Series	92500030	PS-1000	40673	40679	NorthStar™	SPX32005A	—	40709	
D-Series	92500040	PS-1000	40673	40679	Power-Flo II™	SPX1500KA	PS-2131	40710	
D-Series	92500030	PS-1000	40673	40679	Power-Flo LX™	SPX1300KA	PS-2131	40710	
Car-Master®	92500131	PS-200	40663	40677	Power-Flo Matrix	SPX1300KA	PS-2131	40710	
Dominator®	92500130	PS-200	40663	40677	Super Pump®	SPX060022	PS-201	40666	40678
Dominator® Pre-1999	92500000	PS-1000	40673	40679	Super Pump II & RS	SPX160022	PS-201	40666	40678
Flo-Master®	91049000	PS-2131	40710		Tri-Star®/Energy-Flo	SPX32005A	—	40709	
Flo-Master®	92500130	PS-200	40663	40677	Turbo-Flo®	SPX1300KA	PS-2131	40710	
Pond-Flo	92500131	PS-200	40663	40677	ITT Motover				
Tub-Master®	91049000	PS-2131	40710		2AF-Series	25353-00	PS-411	601267	
Tub-Master®	92500130	PS-200	40663	40677	3B-Series	27229-00	PS-416A	632642	
American Motor Pump	A-B	PS-200	40663	40677	Argonaut®	38392-00	PS-201	40666	40678
					L-Series	186543	PS-314	600234	
					L-Series	186543	PS-314	600234	
					Mentor®	38392-00	PS-201	40666	40678
					SCT Series SS	46328-00	PS-2161	600716	

Manufacture Pump Model	Mfg. Part#	Pump Seal	SKU Carbon	SKU Viton	Manufacture Pump Model	Mfg. Part#	Pump Seal	SKU Carbon	SKU Viton
Jacuzzi									
Cygnit	10-0002-06	PS-200	40663	40677	Sta-Bite (Pentair)				
A, I, KM Series	10-0002-06	PS-200	40663	40677	AJ	U109-9355	PS-100	40660	40676
K, KM Series	10-0002-06	PS-200	40663	40677	CC/C	U109-43355	PS-183	600233	
LCH-Series	10-1436-00	PS-200	40663	40677	CC/C Pre-2000	U109-220	PS-183	600233	
LCU-Series	10-1436-00	PS-200	40663	40677	CF/CFA	U109-13055	PS-3000	40673	40679
LR-Series	10-0002-06	PS-200	40663	40677	CSPH/CCSPH	32014	PS-183	600233	
Magnum®	10-1502-09	PS-201	40666	40678	CSPH/CCSPH	32013	PS-446	622737	
MC-Series	10-1302-09	PS-201	40666	40678	D Series	U109-43355	PS-183	600233	
Vector (LVL)	10-0002-06	PS-200	40663	40677	D Series Pre-2000	U109-220	PS-183	600233	
Jandy (Zanussi)									
FHP, JEP	R0479400	PS-3890	40703		DJ/J5/IT Pre-2001	U109-33855	PS-201	40666	40678
MHP, PHP	R0479400	PS-3890	40703		Dura-Glas® Pre-1998	U109-9355	PS-100	40660	40676
SHP, SWF, WFTR	R0479400	PS-3890	40703		Dura-Glas®	17304-0100	PS-200	40663	40677
HHP, HHP-U	R000200	PS-601	40670		Dura-Glas II Pre-1998	U109-37255	PS-201	40666	40678
MHPM	R0443500	—	617088		Dura-Glas II	U109-33855	PS-201	40666	40678
Mantech									
	092001	PS-163	601116		Dura-Glas II	37400-00275	PS-201V	—	40678
	092013	PS-162	601116		Dura-Jet Pre-2001	U109-33855	PS-201	40666	40678
Pentair/Pac-Fab/Purex (Pentair)									
AH-Series	071728	PS-201	40666	40678	Dura-Jet	37400-0027	PS-201	40666	40678
Aquatron	071733	PS-301	40668		Dyna-Glas®/Dyna-Max	U109-33855	PS-201	40666	40678
Challenger	334343	PS-200	40663	40677	Dyna-Glas®/Dyna-Max	37400-00275	PS-201	40666	40678
C-Series	071725	PS-360	601167		Dyna-Jet™	17331-01015	PS-201	40666	40678
Dynamax/Dynamate	334343	PS-200	40663	40677	HP-Series	U109-13055	PS-3000	40673	40679
Dynatron	354343	PS-200	40663	40677	JW/JWPA	U109-33855	PS-201	40666	40678
Hydrogenp	334300	PS-201	40666	40678	JW/JWPA	37400-00275	PS-201	40666	40678
IntelliFlo	071734	PS-1000	40673	40679	LT	U109-6855	PS-163	601116	
L-Series	17331-0102	PS-100	40660	40676	Hydro-Rip Pre-1998	U109-9355	PS-100	40660	40676
L-Series	071728	PS-201	40666	40678	Max-E-Glas	17304-0100	PS-200	40663	40677
Pinnacle	334343	PS-200	40663	40677	Max-E-Glas II	U109-33855	PS-201	40666	40678
Whisperflo	071734	PS-1000	40673	40679	Max-E-Glas II	U109-37255	PS-201	40666	40678
Pentair									
1207/220/225	31-812	PS-201	40666	40678	Max-E-Glas II	37400-00275	PS-201	40666	40678
Pre 1998	31-813	PS-1000	40673	40679	Max-E-Glas II	37400-00285	PS-201V	—	40678
225/255 MIKII	31-812	PS-201	40666	40678	Max-E-Prime™	37400-00285	PS-201V	40678	
300/323/335	31-812	PS-201	40666	40678	PLBC Series	17331-01025	PS-100	40660	40676
435/456	31-813	PS-1000	40673	40679	PLBC Series Pre-1998	U109-9355	PS-100	40660	40676
500/600	31-813	PS-1000	40673	40679	SuperMax	3543435	PS-200	40663	40677
725/756	31-812	PS-201	40666	40678	Sumpship XL, VL, XL, VL	37407-0000	PS-201	40666	40678
Pentair (Zanussi)									
P84-60	P55	PS-1000	40673	40679	Water Ace RSP-7,10,15	25053A000	PS-3843	Call	
P84-60L	P84-3	PS-3890	40703		Whisperflo				
Speck Pumps									
	2502000003	PS-200	40663	40677		319-31008	PS-1000	40673	40679
	60603-200	PS-200	40663	40677		811-4000A	PS-671	632794	

Common Replacement Pump Parts
Baskets & Lids

Common Replacement Pump Parts
Baskets & Lids



Hayward
NorthStar

- 40542 Lid w/Lock Ring (New)
- 40541 Lid Kit (Pre-2007)
- 36095 Basket
- 65066 O-Ring Kit
- 40708 Pump Seal

Hayward
Super Pump

- 40790 Lid (w/o Knobs)
- 40528 Lid Knobs (2-pk)
- 36070 Basket
- 65083 O-Ring Kit
- 64400 O-Ring, Lid
- 40678 Pump Seal 201

Hayward
RS/Super II Pump

- 40545 Lid (Threaded)
- 40236 Lid (w/o Knobs)
- 40528 Lid Knobs (2-pk)
- 36080 Basket
- 65002 D-Ring Kit
- 66008 D-Ring, Lid
- 40678 Pump Seal 201

Hayward
EcoStar/EnergyFlo/TriStar

- 623956 Lid w/Lock Ring
- 36091 Basket
- 66112 D-Ring, Lid
- 40789 Pump Seal

Hayward
Max-Flo

- 40783 Lid (w/o Knobs)
- 40528 Knobs (2-pk)
- 36081 Basket
- 64450 O-Ring, Lid
- 40678 Pump Seal 201

Hayward
Max-Flo II

- 40121 Lid w/Lock Ring
- 36082 Basket
- 66246 O-Ring, Lid
- 40714 Pump Seal

Hayward
PowerFlo Matrix

- 40180 Lid w/Lock Ring
- 40107 Basket
- 65074 O-Ring Kit
- 40118 O-Ring, Lid
- 40780 Pump Seal

Hayward
PowerFlo

- 40546 Lid
- 36080 Basket (1500)
- 36081 Basket (LX & II)
- 65012 O-Ring Kit
- 66270 O-Ring, Lid
- 40780 Pump Seal



Pentair (Pac-Fab)
Challenger

- 40559 Lid
- 36343 Basket
- 65005 D-Ring Kit
- 66110 D-Ring, Lid (Pentair)
- 66520 D-Ring, Lid (Pre-1998)
- 40677 Pump Seal 201

Pentair (Pures)
WhisperFlo/IntelliFlo

- 601142 Lid (w/o Clamp)
- 600536 Lid (w/o Twist Lock)
- 36380 Basket
- 65032 D-Ring Kit
- 66380 D-Ring, Lid (Pre-1998)
- 66110 D-Ring, Lid (New Style)
- 40679 Pump Seal 201B

Pentair/Sta-Brite
Dura-Glas/Max-E-Glas

- 40572 Lid
- 36440 Basket
- 65086 D-Ring Kit
- 66634 D-Ring, Lid
- 40677 Pump Seal 201

Pentair/Sta-Brite
Dura-Glas/Max-E-Glas II
Max-E-Pro/IntelliPro

- 40573 Lid
- 36437 Basket
- 65098 D-Ring Kit
- 66088 D-Ring, Lid
- 40678 Pump Seal 201

American Products
Ultra-Flo

- 600886 Lid (w/o Twist Lock)
- 40563 Lid (w/o SS Clamp)
- 36047 Basket
- 608527 O-Ring (Cam Lock Lid)
- 66024 O-Ring (Clamp Lid)
- 40679 Pump Seal 200B
- 65020 O-Ring Kit

Jacuzzi
Magnum

- 600895 Lid (w/o Lock Ring)
- 605715 Basket
- 603230 Lock Ring
- 66524 O-Ring, Lid
- 40678 Pump Seal 201

Zodiac
Jandy Silea III

- 617089 Lid Kit w/Lock Ring
- 617000 Basket
- 617085 O-Ring, Lid
- 40705 Pump Seal

Lid Wrench

- 40950 Fits Most IG Pumps
- 40955 Hayward Lid Wrench

Skimmer Parts & Inlet Fittings
Common Replacement Parts

Skimmer Parts
Baskets & Deck Lids



34830 Vac. Plate
American Prod. Skimmer



34840 Vac. Plate
Sta-Fite LES Skimmer



34810 Vac. Plate
Swirline Olympic AG Skimmer



34855 Control Plate
Baker Hydro Skimmer



34833 Vac. Plate
Hayward Skimmer



34828 Vac. Plate
Hayward Skimmer



34835 Vac. Plate
Hayward Skimmer



34808 Vac. Plate
Hayward AG Skimmer



34248 Regulator Valve
Sta-Fite or Hayward Skimmers



34128 Vac. Equalizer Assy.
American Prod. Skimmer



34858 Diverter Valve
American Prod. Skimmer



34235 Floating Weir
American Prod. Skimmer



Generic Weir Gates
34918 7-1/4" Fits: Pac-Fab
34921 8" Fits: American Prod.
34924 8-3/8" Fits: Sta-Fite
34912 9-3/8" Fits: Baker Hydro



Inlet Fitting 1-1/2" Thrd
30220 Inlet: 3/4" Opening
30225 Inlet: 1" Opening
30218 Inlet: 1/2" Opening
30219 Inlet: Slotless Opening



Universal Inlet Fittings
68077 Threaded 1-1/2" MP
68079 Slip 1-1/2"



34850 Inlet Removal Tool



40208 Plug w/O-ring
1-1/2" Threaded Plug



58548 Vac. Lock, White
Hayward W400RWHP



30838 Aerator 3/4" Thrd.



34234 Float Valve, Brass
Auto Fill Valve



WaterCo
Baker Hydro
33565 Basket B136
Top 7-13/16" x 6" Tall x 3" Deep
34420 Lid 9" Round
34912 Weir 9-3/8"
34855 Control Plate



Hayward
SP1070
33540 Basket B19
Top 8-3/16" x 5-3/16" Tall x 3-3/4" Deep
34447 Lid 10" Round
34948 Weir
34840 Vac. Plate
34240 Equalizer Valve



Hayward
SP1082
33580 Basket B152
Top 7" x 3" Tall x 6-1/2" Deep
34440 Lid 10" Square
34950 Weir
34833 Vac. Plate



Hayward
SP1084
33580 Basket B152
Top 7" x 3" Tall x 6-1/2" Deep
34435 Lid 8-3/4" Round
34950 Weir
34833 Vac. Plate



Pentair
American Admiral
33530 Basket B37
Top 8-7/16" x 7-3/4" Tall x 7-1/2" Deep
34235 Floating Weir BEM
34430 Lid 9" Round
34436 Lid 9" w/Locking Tabs
34830 Vac. Plate
34850 Vari-Flo Valve



Pentair
American SLD Admiral
33492 Basket B280
Top 8-1/2" x 6" Tall x 5-1/4" Deep
34410 Lid 9" Round
34416 Lid 9" w/Locking Tabs
34908 Weir
34830 Vac. Plate
34120 Equalizer Valve



Pentair
Pac-Fab Blowmold
33540 Basket B19
Top 8-3/16" x 5-3/16" Tall x 3-3/4" Deep
685252 Lid 9-1/4" Round
34967 Weir
685257 Vac. Plate



Pentair
Sta-Fite LES
33540 Basket B19
Top 8-3/16" x 5-3/16" Tall x 3-3/4" Deep
34450 Lid 10" Round
34965 Weir
34830 Vac. Plate
34240 Equalizer Valve



SkimPro
Replacement Baskets

36852 Fits: Baker Hydro
36850 Fits: Sta-Rite/Hayward
36851 Fits: Hayward 1002



Pentair
American FAS

36500 Basket BL72
Top 6-1/8" x 3-7/8" Tall x 4" Base
34350 Lid 7-1/4" Round
34910 Weir
34831 Vac. Plate



Pentair
Pac-Fab Skim-Clean

36795 Basket BL3
Top 7-1/4" x 4-5/8" Tall x 3-3/16" Base
34960 Lid 6-3/8" Round
34918 Weir 7-1/4"



Waterway
Riverside

621500 Basket (5.25" Tall)
Top 8.1" x 5-1/4" Tall x 3-3/4" Base
621600 Venturi Basket (8" Tall)
621600 Lid (White)
614225 Weir (White)

Above-Ground Pool Skimmer Parts:



Hayward
SP1091

36660 Basket
Top 5-13/16" x 3-3/8" x 4-11/16" Base
34200 Lid 7-9/16" Round
34201 Weir
34800 Vac. Plate



Hayward
SP1096

36655 Basket BL168
Top 5-3/16" x 3" Tall x 5-1/8" Base
34430 Lid 6-5/8" Round
34952 Weir
34832 Vac. Plate 1-1/2" Base
34835 Vac. Plate w/Elbow



L.P. Swimming
Olympic

36790 Basket BL213
Top 6-1/8" x 3" Tall x 4-1/8" Base
34100 Lid 7-3/4" Round
34860 Weir
34830 Vac. Plate



Leslie's/Athletic
Pentair Hydro Skim

36792 Basket BL217
Top 6-1/8" x 3" Tall x 3-1/8" Base
34405 Lid 7-11/16" Round
34862 Weir
34820 Vac. Plate

Skimmer Parts
Baskets & Deck Lids

AquaStar Round Main Drains
Drain Covers & Suction Outlet Covers

AquaStar 8" And 10" Round Drain Covers

VEB Compliant: ANSI/APSP 16-2011 & NSF/ANSI 30-2002a. Other Colors Available By Special Order (Black, Grey, Dark Grey & Tan)



32011 AQUASTAR (White)
8" Round Star Cover With Frame
Flow Rate: with 3" Sump
Dual 1.3 FPS @70 GPM
Single 1.6 sq. in. openings
Floor 2.8 FPS @143 GPM
Wall 1.7 FPS @84 GPM



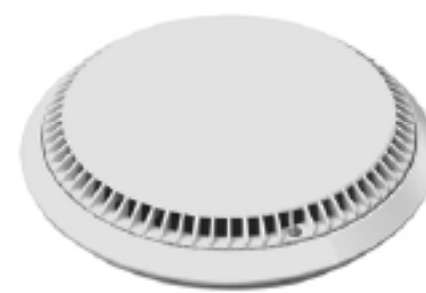
32081 LPM/LOWPROFILE (White)
8" Round Low Profile Cover With Frame
Flow Rate:
Dual 1.3 FPS @61 GPM
Single 13.1 sq. in. openings
Floor 2.8 FPS @100 GPM
Wall 1.7 FPS @70 GPM



32083 MFL/FRAME (White)
8" Round Anti-Entrapment Cover/Frame
Flow Rate:
Dual 1.3 FPS @71 GPM
Single 13.1 sq. in. openings
Floor 2.2 FPS @100 GPM
Wall 2.1 FPS @105 GPM



32025 ADAPT/FRAME (White)
8" Sump-less Cover With Adapt. Frame
Flow Rate:
Dual 1.3 FPS @147 GPM
Single 31.5 sq. in. openings
Floor 1.7 FPS @170 GPM
Wall 1.7 FPS @170 GPM



32050 MFL/FRAME (White)
10" Round Anti-Entrapment Cover With Frame
Flow Rate:
Dual 1.3 FPS @13 GPM
Single 11.2 sq. in. openings
Floor 4.8 FPS @165 GPM
Wall 2.8 FPS @95 GPM



32009 MFL/FRAME (White)
10" Electric Catcher Cover With Frame
Flow Rate: With Cover
Single 28.4 sq. in. openings
Floor Only 1.7 FPS @60 GPM



32010 (White)
8" Round "Hockey Puck" Suction Outlet Cover
Call for availability and colors
Flow Rate: Sump-less
Dual 6.3 FPS @224 GPM



32018 (White)
8" Round Multi-Flow Cover With Frame
Call for availability and colors
Flow Rate: 3" Sump Depth 2" Pipe
Single 36.6 sq. in. openings
Dual 1.3 FPS @78 GPM

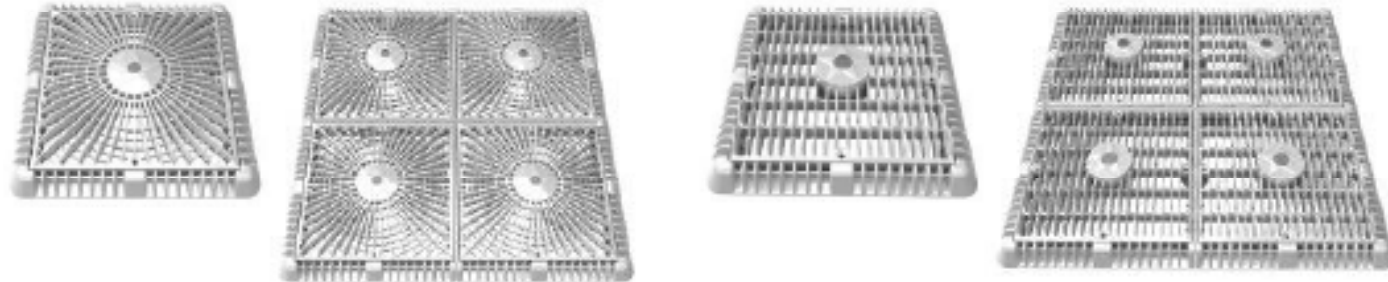


32019 (White)
10" Round Multi-Flow Cover With Frame
Call for availability and colors
Flow Rate: 3" Sump Depth 2" Pipe
Single 31.3 sq. in. openings
Dual 1.3 FPS @146.3 GPM

**AquaStar Square Main Drains
Drain Covers & Suction Outlet Covers**

AquaStar Square Drain Covers

VGB Compliant: ANSI/APSP 16-2011 & NSF/ANSI 30-2009. Other Colors Available By Special Order (Black, Grey, Dark Grey & Tan)



**Square Star Anti-Entrapment Covers
Cover with Vented Mud Frame (White)**

VGB Compliant: ANSI/APSP 16-2011 & NSF/ANSI 30-2009

Size	SKU	Part#
9"	32021	P5101
12"	32022	P12101
18" (4x9")	32023	P18101
24" (4x12")	32024	P24101

Flow Rate:

9" Single	2.1 FPS	270 GPM
12" Single	1.3 FPS	360 GPM
18" Single	1.3 FPS	740 GPM
24" Single	1.3 FPS	1420 GPM

**WAVE Anti-Entrapment Square Covers
Cover with Vented Mud Frame (White)**

VGB Compliant: ANSI/APSP 16-2011 & NSF/ANSI 30-2009

Size	SKU	Part#
9"	32011	WAV9M101
12"	32012	WAV12M101
18" (4x9")	32013	WAV18M101
24" (4x12")	32014	WAV24M101

Flow Rate:

9" Single	1.1 FPS	620 GPM
12" Single	1.3 FPS	1444 GPM
18" Single	1.3 FPS	224 GPM
24" Single	1.3 FPS	361 GPM



MudFlo Anti-Entrapment Square Covers

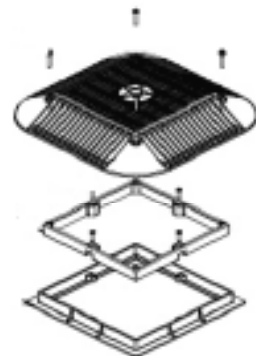
Cover with Frame (White) for Dual Outlets

9"	CALL	9MF101
12"	CALL	12MF101
18" (4x9")	CALL	18MF101

VGB Compliant: ANSI/APSP 16-2011 & NSF/ANSI 30-2009

Flow Rate:

9" Dual	1.3 FPS	172 GPM
12" Dual	1.3 FPS	333 GPM
18" Dual	1.3 FPS	620 GPM



14" & 16" Square Inset Anti-Entrapment Covers

14" Covers Replace Most Square Covers From 9" to 13" (White)

16" Covers Replace Most Square Covers From 12" to 15" (White)

VGB Compliant: ANSI/APSP 16-2011 & NSF/ANSI 30-2009

14"	32710	914101
16"	32700	1216101

Flow Rate: *Adapter frame adapter required for screw installations*

14" Single	2.1 FPS	360 GPM
14" Dual	1.3 FPS	334 GPM
16" Single	1.3 FPS	620 GPM
16" Dual	1.3 FPS	674 GPM

24" Square Grid

Four 12" Covers with Frame (White)

24" (4x12")	32906	24301
-------------	-------	-------

VGB Compliant: ANSI/APSP 16-2011 & NSF/ANSI 30-2009

Flow Rate:

24" Single	1.4 FPS	1331 GPM
------------	---------	----------



**Paramount 500K Drain Covers
Fits Most Single or Dual Outlet Drains
From 9"-18" Round.**

Flow Rates:
Dual 1.3 FPS @ 200 GPM
Floor 1.3 FPS @ 200 GPM
VGB Compliant: ASME A112.19.8-2009
Item# 004-192-2214-xx

**Hayward Square Drain Covers
VGB Information & Flow Rates
VGB Compliant 2009
ASME A112.19.8-2009 ANSI/APSP-16**

**1) Low Flow Velocity WG-LV2
SKU-32300-32305**

Flow Rates: Dual 1.3 FPS @ GPM

Size	Floor	Wall
9x9	190	108
12x12	392	260
18x18	520	520

**2) High Flow Velocity WG-HF2 Dual
SKU-32306-32311**

Flow Rates: Dual 1.3 FPS @ GPM

Size	Floor	Wall
9x9	264	224
12x12	313	308
18x18	812	732

2) Hayward High Flow Anti-Entrapment Covers

Replacement Covers with Inner Frame

Size	Part#	SKU
9"x9"	WG003LHF2	32306
12"x12"	WG003LHF2	32307
18"x18"	WG003LHF2	32308

2-Pack Covers and Outer Frames

9"x9"	WG103LHF2PAK2	32309
12"x12"	WG103LHF2PAK2	32310
18"x18"	WG103LHF2PAK2	32311



Hayward 9" Anti-Entrapment Covers

Round	SKU
Floor	WG004BE 32260
Wall	WG004BEW 32262

VGB Information & Flow Rates:
VGB Compliant: ASME A112.19.8-2009
ANSI/APSP-16

Flow Rate: Dual

Floor	1.3 FPS @ 121 GPM
Wall	1.3 FPS @ 72 GPM

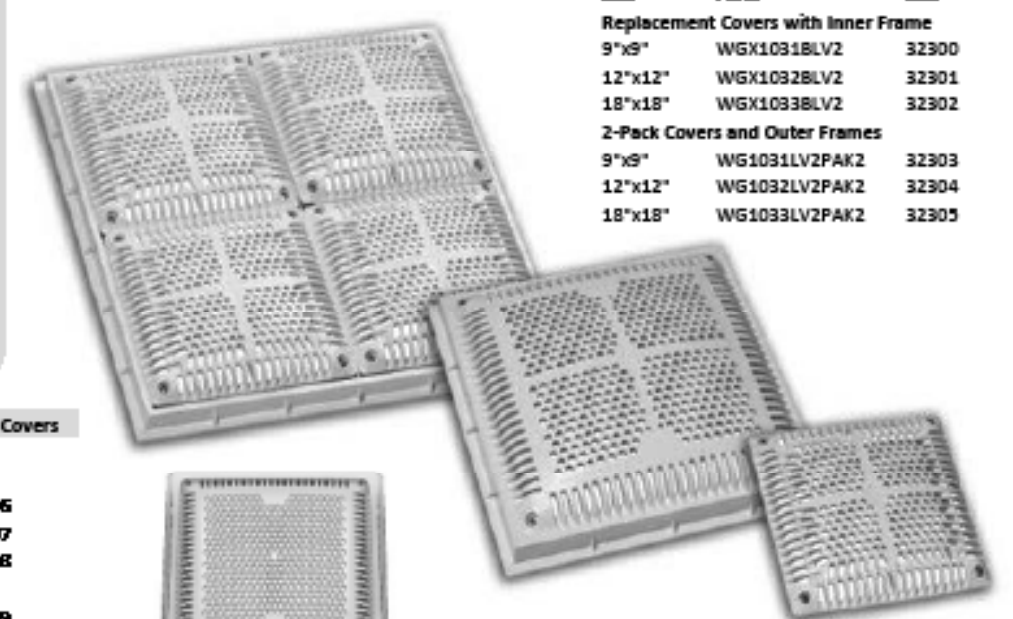
"Unicoast" Round Cover Fits up to 20" Floor Drains or Wall Outlets

Concrete Pools		Vinyl Pools		Equalizer Line	
Color	SKU	Color	SKU	Color	SKU
White	32870	White	32878	White	32885
Grey	32871	Grey	32879	Grey	32887
Black	32872	Black	32880	Black	32888
Taupe	32873	Taupe	32881	Taupe	32889
Blue	32874	Blue	32882	Blue	32890
Lt Blue	32875	Lt Blue	32883	Lt Blue	32891
Beige	32876	Beige	32884	Beige	32892
Lt Grey	32877	Lt Grey	32885	Lt Grey	32893



32-870

1- Low Flow



1) Hayward Square Anti-Entrapment Covers

Size	Part#	SKU
9"x9"	WG1031BLV2	32300
12"x12"	WG1032BLV2	32301
18"x18"	WG1033BLV2	32302

2-Pack Covers and Outer Frames

9"x9"	WG1031LV2PAK2	32303
12"x12"	WG1032LV2PAK2	32304
18"x18"	WG1033LV2PAK2	32305

2- High Flow



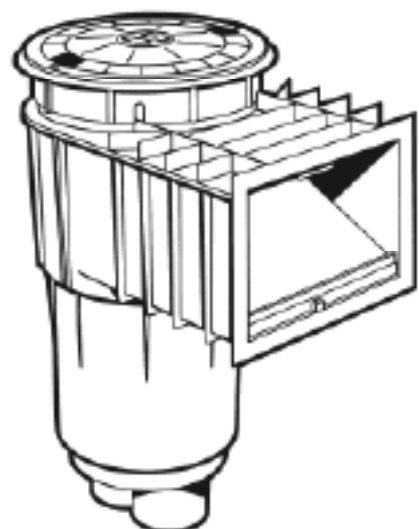
32842 DS 3600
Drain Sock Anti-Entrapment Cover
Fits Most 9"x9" Sumps
Includes Cover and Adapter

32848 DS 3600M
Drain Sock Anti-Entrapment Cover
Fits Most 9" to 8" Round Sumps

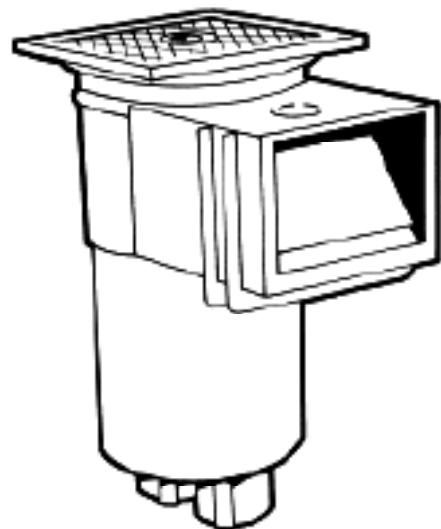
VGB Information & Flow Rate:
VGB Compliant: ANSI/ASME A112.19.8-2009
Flow Rate: Single 1.3 FPS @ 160 GPM
27.1 sq. inch openings

VGB Information & Flow Rate:
VGB Compliant: ANSI/ASME A112.19.8-2009
Flow Rate: Single 1.3 FPS @ 123 GPM
27.1 sq. inch openings

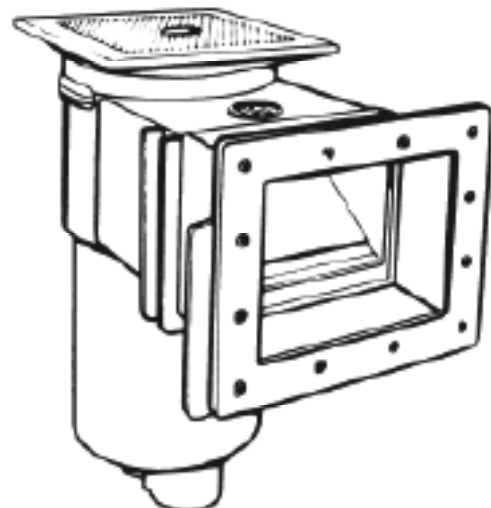
Hayward Skimmers
SP1070 & SP1080 Series



SP1071



SP1082



SP1084

Key Part#	Sku	Description
SP0387023	608342	Retaining Screw, Cover
SP038701C	34447	Cover, White
SP038701C10	608731	Cover, Tin
SP038708	608303	Adjusting Collar, White
SP03870810	608730	Adjusting Collar, Tin
EC018113	44621	Adjusting Collar Screw
SP0387080HL	34848	Wheir Assembly/Ramp Pad (for 1070 Series)
SP03871E	626396	Wheir Assembly/Ramp Pad (for 1071 Series)
SP03870E	36840	Basket - 8 1/4" O.D. x 3 1/4"
SP03870HUB	608748	Flt-Control Slide Plate w/Screw
SP03870FV	34239	Float Valve Assembly
SP03870FA	608747	Flt-Control Trimmer Plate w/Screw

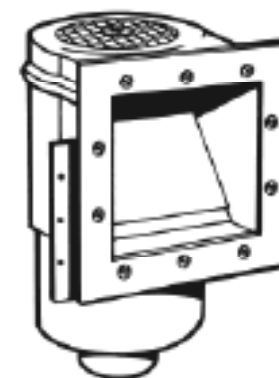
Key Part#	Sku	Description
SP03873C1	34448	Cover, White
SP0389429	608300	Screw, Cover
SP038738	608746	Adjusting Collar
SP03892E	34830	Wheir
SP03892CA	36680	Basket - 6 1/2" O.D. x 3"
SP038730	34437	Support Ring, Basket
SP03873F	608745	Flt-Control Slide Plate w/Screw
SP03873L	608744	Multiflt Valve Control (SP1073T)
SP03894L	34230	Face Plate (SP1076)
SP03890B	34212	Face Plate (SP1077)
SP03894B	64420	Gasket (SP1076)
SP03890D	608674	Gasket (SP1077)
SP038942AA	34712	Screw Set (Self-Tapping) (SP1076), Face Plate
SP038942AAM	608926	Screw Set - 1 1/4" long (Self-Tapping), Face Plate
SP038921A	608089	Screw Set (Self-Tapping) (SP1077), Face Plate
SP038921AAM	608088	Screw Set - 1 1/4" long (Self-Tapping), Face Plate

Key Part#	Sku	Description
SP03892E	34440	Cover, Square
SP03892Z1	608301	Cover Screw (Square Cover)
SP03892F	34890	Adjusting Collar
SP03894L	34435	Cover, Round
SP0389429	608300	Screw, (Round Cover)
SP03894F	608738	Adjusting Collar
SP03892CA	36680	Basket 6 1/2" O.D. x 3"
SP038920	34437	Support Ring, Basket
SP03892E	34830	Wheir
SP038921A	34777	Slide Plate with Screw
SP03892Z3	608120	Hose Adapter
SP03892Z1	608402	2" Pipe Plug
SP03892Z2	60840	2" x 1 1/2" Reducing Bushing
SP03894L	34230	Face Plate (SP1084)
SP03890B	34212	Face Plate (SP1083)
SP03894B	64420	Gasket (SP1084)
SP03890D	608674	Gasket (SP1083)
SP03894C	608712	Spacer (SP1084)
SP0389421A	608343	Screw Set (SP1084), Face Plate
SP038942AA	34712	Screw Set (Self-Tapping) (SP1084), Face Plate
SP038942AAM	608926	Screw Set - 1 1/4" long (Self-Tapping), Face Plate
SP038921A	608089	Screw Set (Self-Tapping) (SP1083), Face Plate
SP038921AAM	608088	Screw Set - 1 1/4" long (Self-Tapping), Face Plate
SP03894B3	CALL	Gasket - SP10840M
SP03890D2	CALL	Gasket - SP10830M
SP03890EA	608736	Basket with Sleeve
SP03890AA	608731	Flt-Selector Control with Valve
SP03890D1	608730	Skimmer Throttling Plate

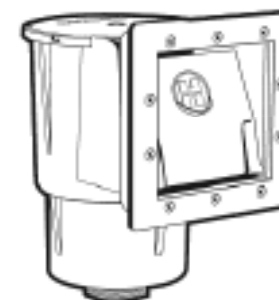
Hayward Skimmers
SP1089 & SP1090 Series



SP1089



SP1090



SP1091



SP1096

Key Part#	Sku	Description
SP03896B	34440	Cover
SP03896A	608730	Basket Assembly
SP03896K	34932	Wheir
SP03894L	34210	Face Plate
SP03894B	64420	Gasket
SP038942AA	34712	Screw Set, Face Plate

Key Part#	Sku	Description
SP03896CA	36620	Basket, 3 1/2" O.D. x 3"
SP03896B	34430	Cover
SP03896A2	608708	Support Ring, Basket
SP03896K	34936	Wheir
SP03890D	34213	Face Plate
SP03894G	64800	Gasket
SP03890EA	34773	Throttle Plate with Screw
SP0389021A	34223	Screw Set, Face Plate
SP0389021C	34228	Screw Set - 1 1/4" long, Face Plate
SP03890WA	608906	Body with Basket Ring
SP03892C	34810	Access Plug

Wide-Mouth Skimmer Parts (SP1090M)	Sku	Description
SP03890WMCV	CALL	Cover
SP03890WMB	626396	Skimmer Basket
SP03890WNV	613008	Wheir
SP03890WVA	613011	Vacuum Adapter
SP03890WVF	CALL	Face Plate
SP03890WVG	CALL	Sealing Gasket (Set of 2)

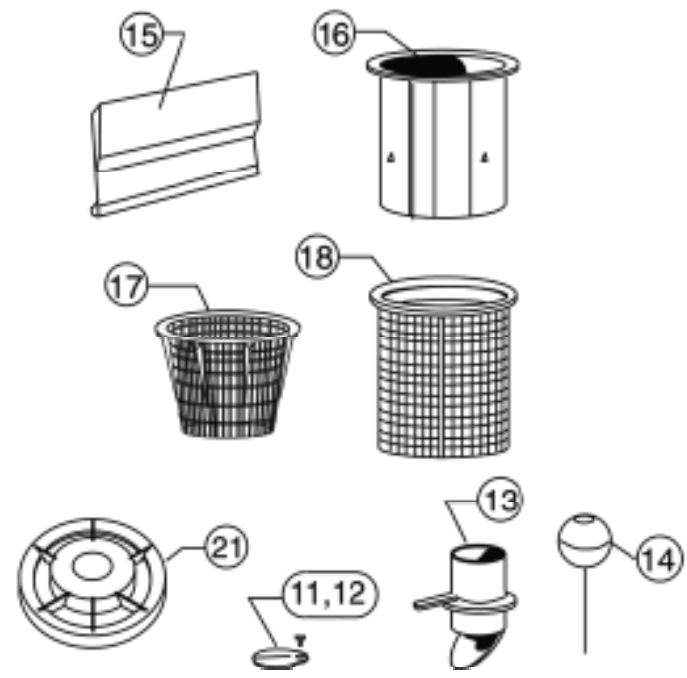
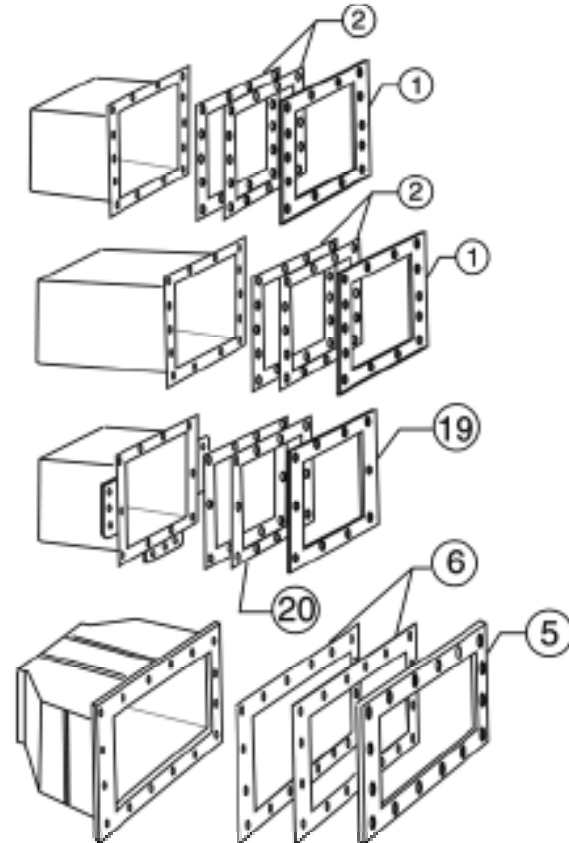
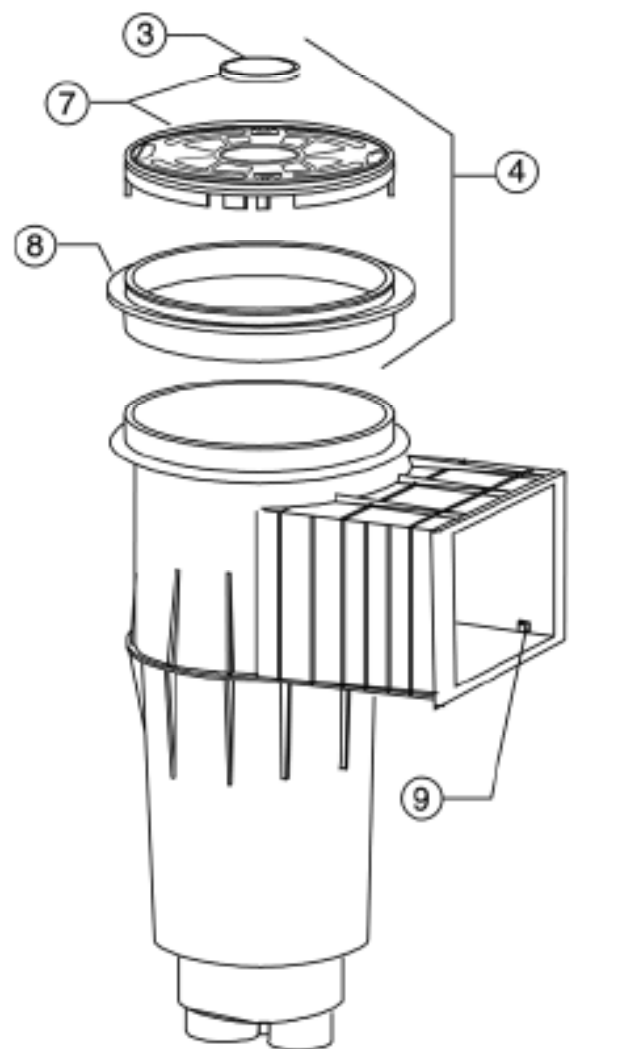
Key Part#	Sku	Description
SP03891B	34200	Skimmer Cover
SP03891C	36620	Basket with Handle
SP03891D	34201	Wheir
SP03891D	34202	Face Plate, Standard
SP03891F	34204	Face Plate, Widemouth
SP03891E	613000	Widemouth Extension
SP03891G	64430	Gasket STD, Butterfly
SP03891GM	64431	Gasket Widemouth, Butterfly
SP0389026A	613009	Screw Set, Standard
SP0389027A	34203	Screw Set, Widemouth

Key Part#	Sku	Description
SP03894FA	36620	Basket - 4 3/4" O.D. x 3"
SP03894C	34423	Cover
SP03894K	34933	Wheir
SP03894B	608728	Face Plate
SP03894G	64800	Gasket (SP03894E for SP1094M)
SP0389021A	34223	Screw Set, Face Plate
SP0389021C	34228	Screw Set - 1 1/4" (SP03894FA), Face Plate
SP03894R	608727	Face Plate Cover - Snap-On

Key Part#	Sku	Description
SP03896B	34430	Cover
SP03896A2	608708	Adjusting Collar
SP03896CA	36620	Basket, 3 1/2" O.D. x 3"
SP03896A2	608708	Support Ring, Basket
SP03896K	34936	Wheir
SP03897D	608707	Face Plate (SP1097, 1098)
SP03897E	608673	Gasket (SP1097, 1098)
SP0389021A	34223	Screw Set, Face Plate

Pentair Skimmers
Admiral (American)

Key	Part#	Sku	Description
1a	23004200	600649	Face Plate, White (12-Hole Pattern)
1b	23004211	CALL	Face Plate, Black (12-Hole Pattern)
1c	23004213	CALL	Face Plate, Elk Grey (12-Hole Pattern)
2	23001500	622417	Gasket, Face Plate
3	3100161	600479	Logo Disc
4a	23000400	CALL	Lid, Ring & Seat (White)
4b	23000411	CALL	Lid, Ring & Seat (Black)
4c	23001800	CALL	Lid, Ring & Seat (Tan)
5	23007600	600478	Face Plate, Wide Mouth
6	23007700	600501	Gasket, Wide Mouth Face Plate
7a	1400M	34418	Lid, Old Style (2300000)
7b	23007400	34416	Lid, Lock Down (White)
7c	23007411	CALL	Lid, Lock Down (Black)
7d	23007413	CALL	Lid, Lock Down (Grey)
7e	23007400	34417	Lid, Lock Down (Tan)
8	23000500	600632	Deck Ring 9" Round, White
9	23001700	600644	Float Tube, Weir
11	23002400	600634	Valve Plate
12	96204000	34313	Screw, 10-24 x 1/2" SS
13	23002600	34834	Vari-Flo Valve
14	23002800	600643	Ball Valve Assy.
15	23001300	34909	Weir Flap
16	B-38	34233	Flooding Weir (2300130)
17	B-200	36492	Basket, Tapered (23004300)
18	B-37	36360	Basket, Straight (2300130)
19	23000300	600648	Face Plate, White (10-Hole Pattern)
20a	23111800	CALL	Gasket, For Double Wall (10-Hole Pattern)
20b	23111700	CALL	Gasket, For Single Wall (10-Hole Pattern)
21	23001500	34128	Equalizer Valve Assy.
21a	330030	66493	O-ring, Equalizer Valve

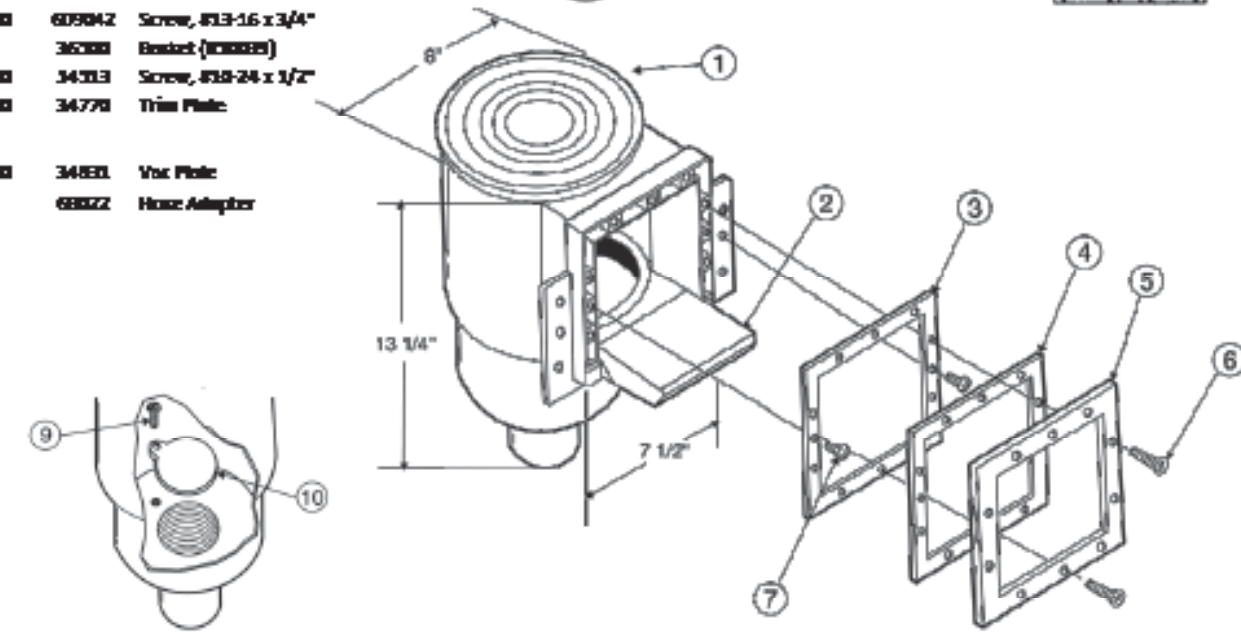
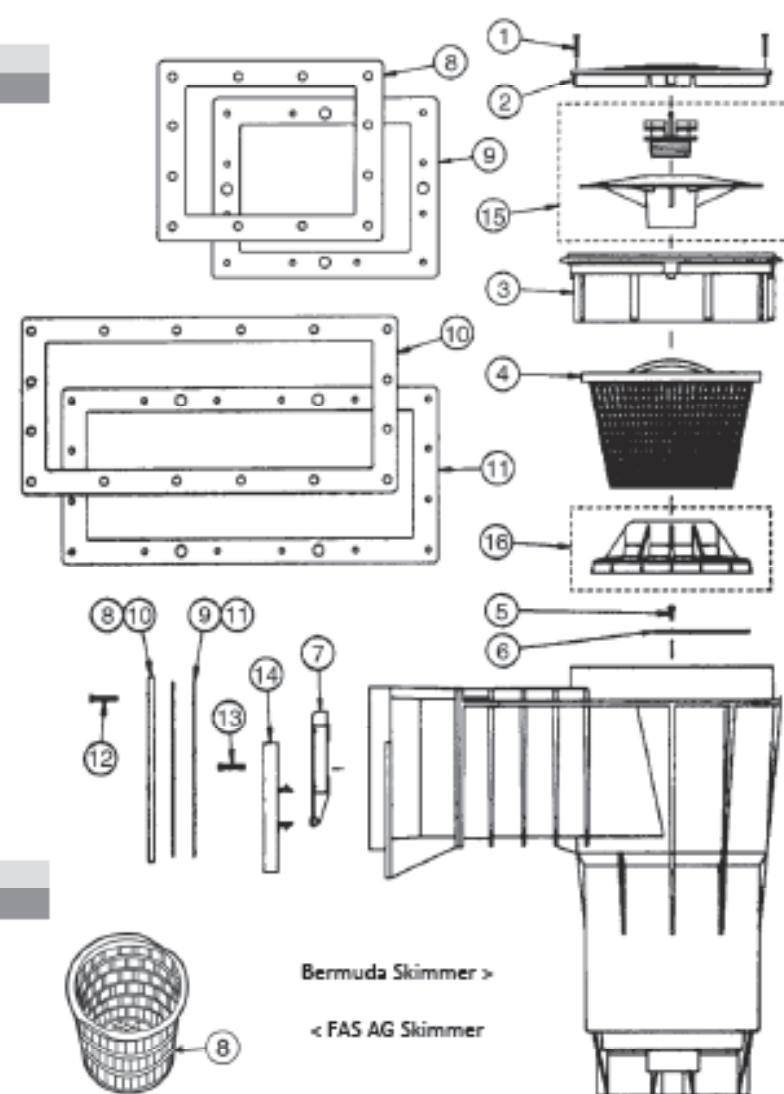


Pentair Skimmers
Bermuda (Pac-Fab) & FAS (American)

Pentair (Pac-Fab) Bermuda Skimmers			
Key	Part#	Sku	Description
1	216242	600776	Screw, 8-32 x 1" SS [2-req.]
2a	216213	600522	Deck Lid, White
2b	216216	600523	Deck Lid, Tan
2c	216206	600491	Deck Lid, Black
3a	216233	600520	Deck Collar, White
3b	216238	600549	Deck Collar, Tan
3c	216239	600490	Deck Collar, Black
4	B-9	36840	Basket (216212)
5	216243	600773	Screw, 8/16 x 1/2" SS
6	216228	600548	Trim Plate
7a	216232	34967	Weir Gate, White
7b	216233	600486	Weir Gate, Black
8a	216264	622398	Face Plate Kit, White
8b	216234	622399	Face Plate Kit, Black
9	232365	600633	Gasket, Face Plate
10	216263	622397	Face Plate Kit, Wide Mouth
11	216231	600634	Gasket, Wide Mouth
12	216239	600801	Screw, Face Plate, 8/16-8 x 1" SS
13	216241	600878	Screw, Face Plate, 8/16-8 x 1-1/4" SS
14	216237	600481	Spacer, Flange
15	306361	600627	Valve Plate
16a	306360	600547	Float Valve Assy.
16b	199829	600600	O-Ring, 2" Plug
16c	O-24	66496	O-Ring, 2" Plug (199823)
16d	O-121	66501	O-Ring, 1-1/2" Plug (199474)
16e	306362	622486	Equalizer Valve Assy.

Pentair (American) FAS AG Skimmers			
Key	Part#	Sku	Description
1	23004700	34300	Lid
2	23003200	34910	Weir
3	G-234	64001	Gasket, Skimmer (230032)
4	G-233	64002	Gasket, Face Plate (230034)
5	23004000	34724	Face Plate
6	23002900	609139	Screw, 8/13-16 x 1"
7	23003000	609042	Screw, 8/13-16 x 3/4"
8	B-172	36300	Basket (230030)
9	23004400	34313	Screw, 8/18-24 x 1/2"
10	23002600	34770	Trim Plate

Mat Skimmer			
23002800	34831	Valve Plate	
210966	68822	Hose Adapter	



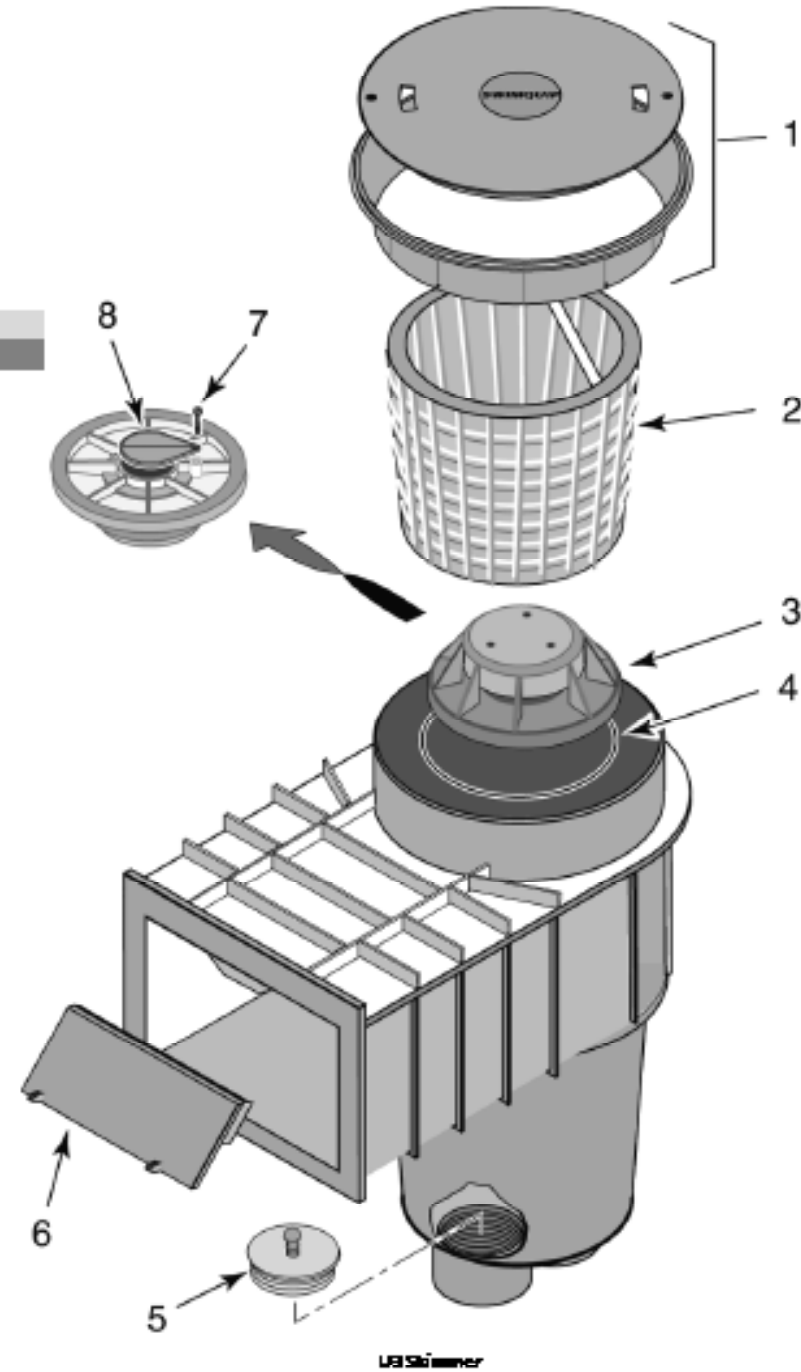
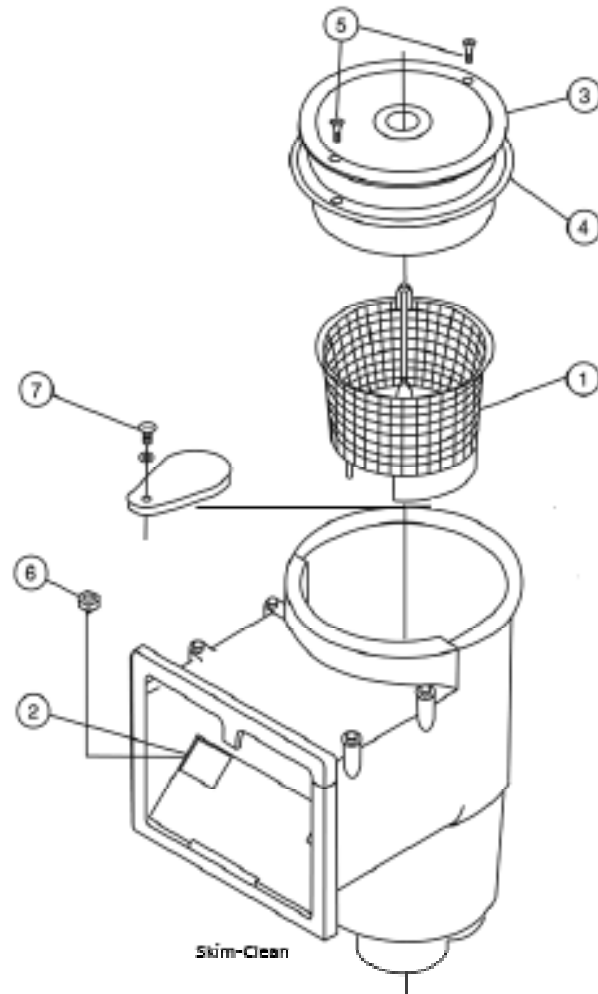
Pentair Skimmers
Skim-Clean (Pac-Fab) & U3 (Sta-Rite)

Pentair/Sta-Rite U3 Skimmers

Key	Part#	Sku	Description
3a	L1RW	34430	Deck Lid (Generic)
1b	0800-0130	34473	Deck Lid (Tan)
1c	0800-0132	62290	Lid and Collar - (White)
1d	0800-0132C	62290	Lid and Collar (Grey)
2	B-3	36290	Basket (0800-0007)
3	0800-0075	34240	Float Assembly with O-Ring
4	O-100	06000	O-Ring, Valve (33000-1273)
5	0800-0017	62360	Check Valve, 2" Spring
6a	0800-0022	34900	Hinged Weir Assy.
6b	34924	34924	Weir Gate 8-3/8" (Generic)
7	37207-0027	CALL	Screw, 8/32 x 2"
8	0800-0048	34130	Expansion Flap
-	0800-0042	34940	Vec. Plate

Pentair (Pac-Fab) Skim-Clean Skimmers

Key	Part#	Sku	Description
1	B-43	36790	Basket (316SS)
2	34918	34918	Weir Gate 7-1/4" (Generic)
3	L3R	34460	Deck Lid (316SS)
4	313001	62094	Deck Ring
5	312140	CALL	Screw, 86-32 x 7/16" SS
6	152106	62024	Mat, 3/4" 820 SS
7	3620480	34313	Screw, 810-24 x 12"

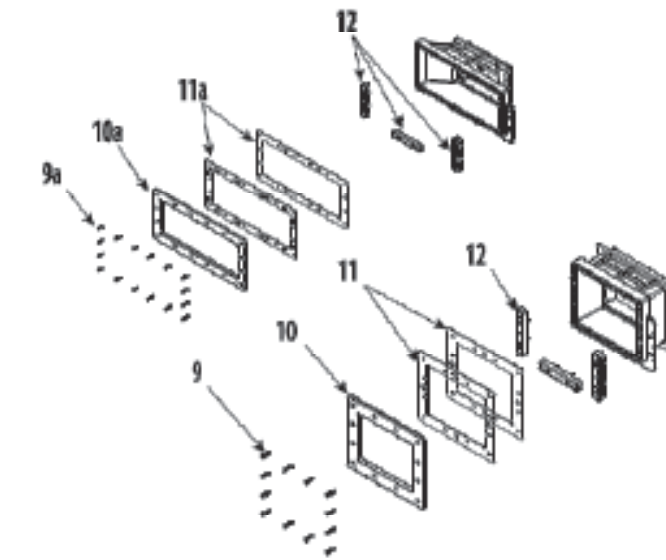


Waterway Renegade Skimmer for In-Ground Pools

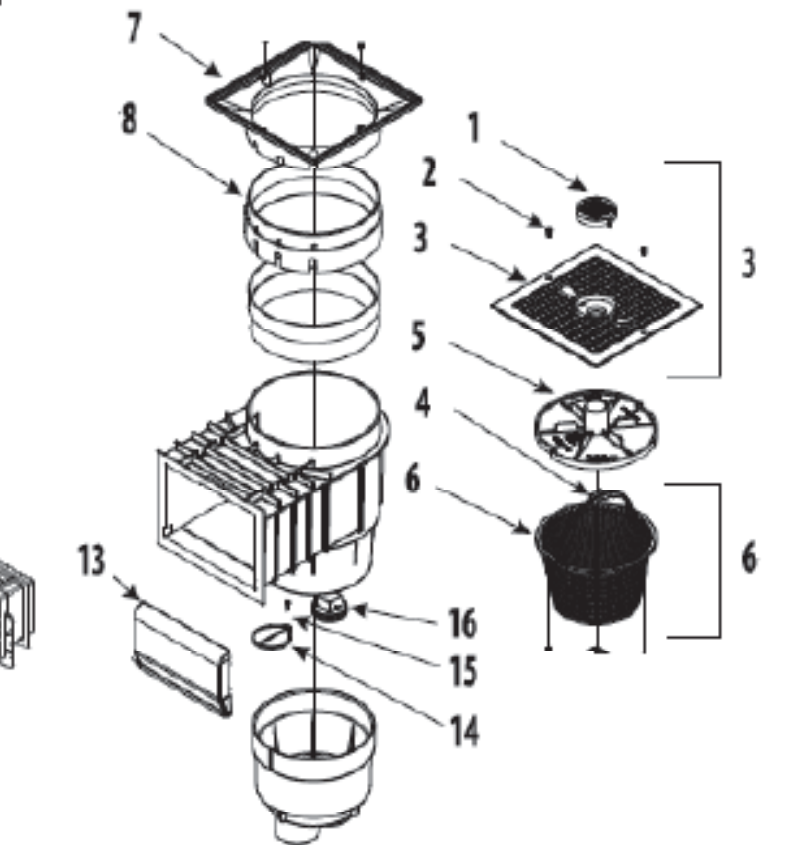
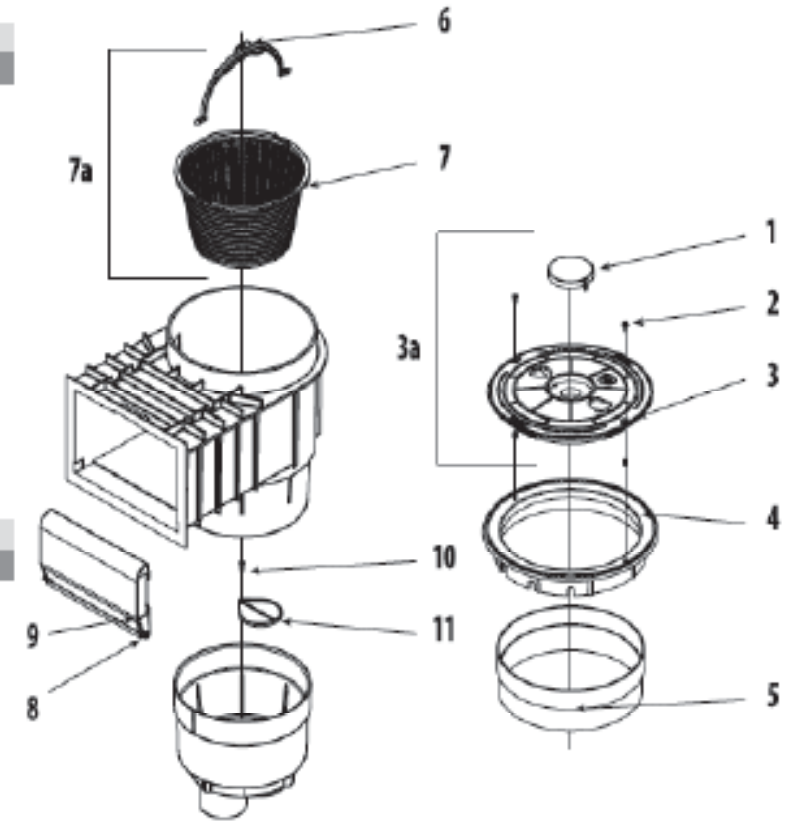
Key	Part#	Sku	Description
1	315-6460	CALL	Blank Lid Insert
2	315-6000	634303	Screw 86-32 x 7/16"
3a	315-6400	621600	Lid - White
3b	315-6470	621702	Lid - Tan
3c	315-6471	621703	Lid - Black
3d	315-6477	621700	Lid - Grey
4	315-6400	621607	Lid & Mounting Ring - White
5	315-6270	621504	Mounting Ring Extension
6	315-3200	600203	Handle, Basket
7a	342-3240	621300	Basket with Handle, Standard
7b	342-3600	621600	Vortexi Basket, Deep
8	330-3000	634229	Weir Door Assembly
9	260-0200	CALL	Foam, Weir Door
10	315-4000	621303	Screw 86 x 3/8" Phil. Pan Head
11	315-6470	621472	Divider Plate

Waterway Renegade Skimmer for Vinyl Liner & Fiberglass Pools

Key	Part#	Sku	Description
1	315-6460WW	CALL	Logo Insert, Lid
2	315-6000	634303	Screw 86-32 x 7/16" (2 req.)
3	340-6400WW	621713	Square Lid with Logo Insert
4	315-3200	600203	Handle, Basket
5	315-6400	621674	Vacuum Plate
6	342-3240	621300	Basket Assembly with Handle
7	315-3010	621601	Square Collar
8	315-6200	CALL	Extension Ring
9a	315-6240	CALL	Screw #12 x 1-1/4" (Vinyl Pools)
9b	315-6200	CALL	Screw #12 x 1-1/2" (Fiberglass Pools)
10	315-3000	621607	Face Plate - Standard
10a	315-3000	621726	Face Plate - Wide Mouth
10b	315-3000	621607	Face Plate - For Fiberglass Pools
11	711-3010	621604	Gasket - Standard (2 req.)
11a	711-3020	621707	Gasket - Wide Mouth (2 req.)
12	713-3000	621573	Spacer (3 required)
13	330-3000	621600	Weir Door Assembly
14	315-6470	621472	Divider Plate
15	315-4000	621303	Screw - 8 x 3/8"
16	713-3010	600423	2" NPT Plug

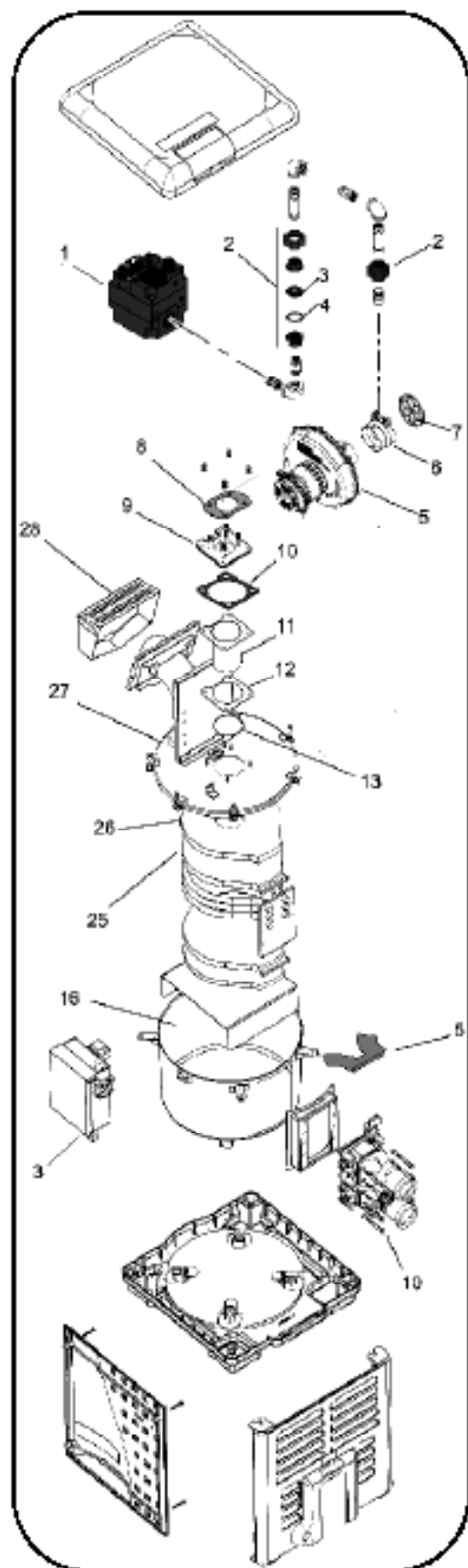
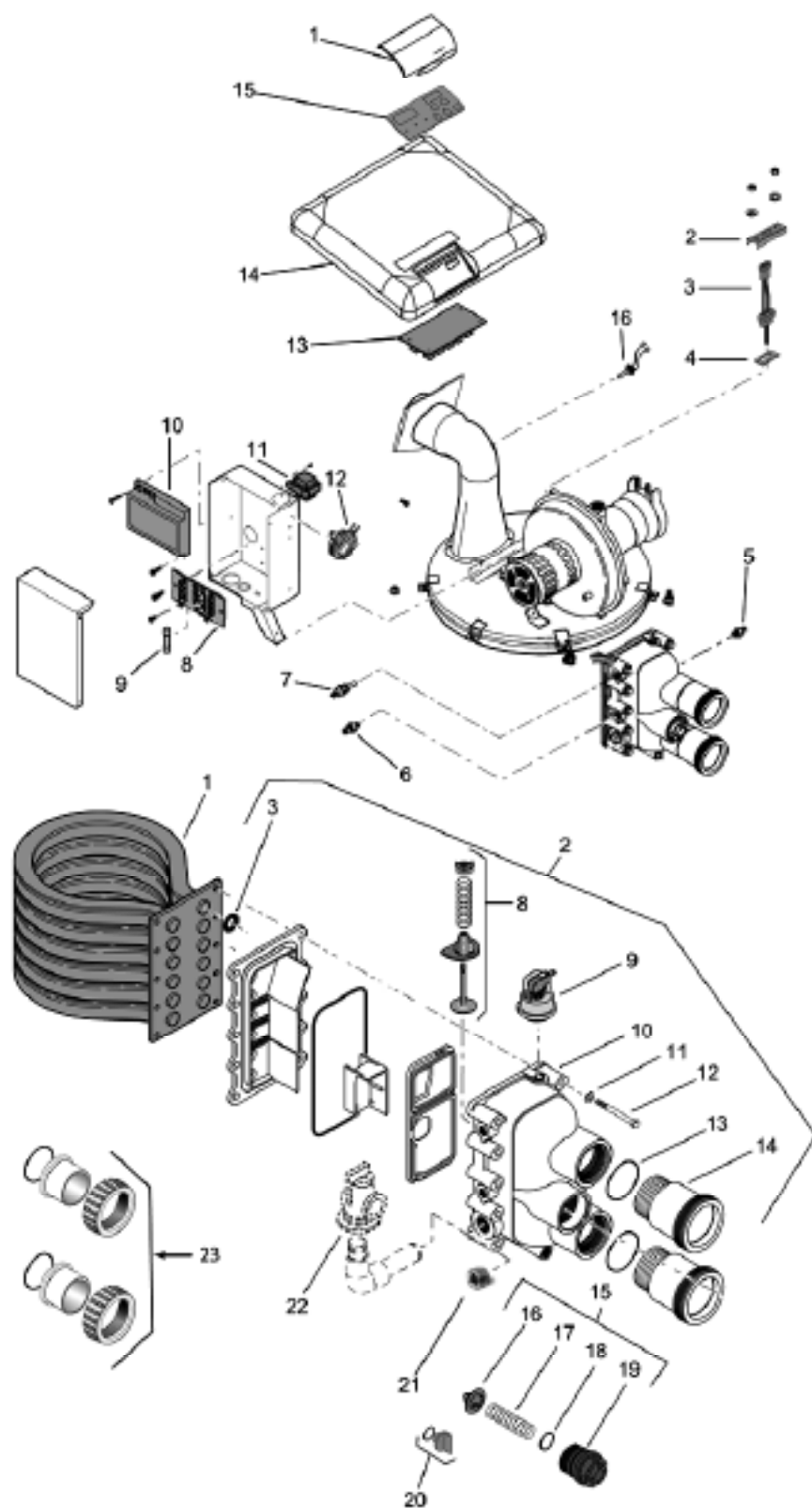


Waterway Skimmers
Renegade In-Ground Skimmers



Pentair Heaters
MasterTemp

Pentair Heaters
MasterTemp

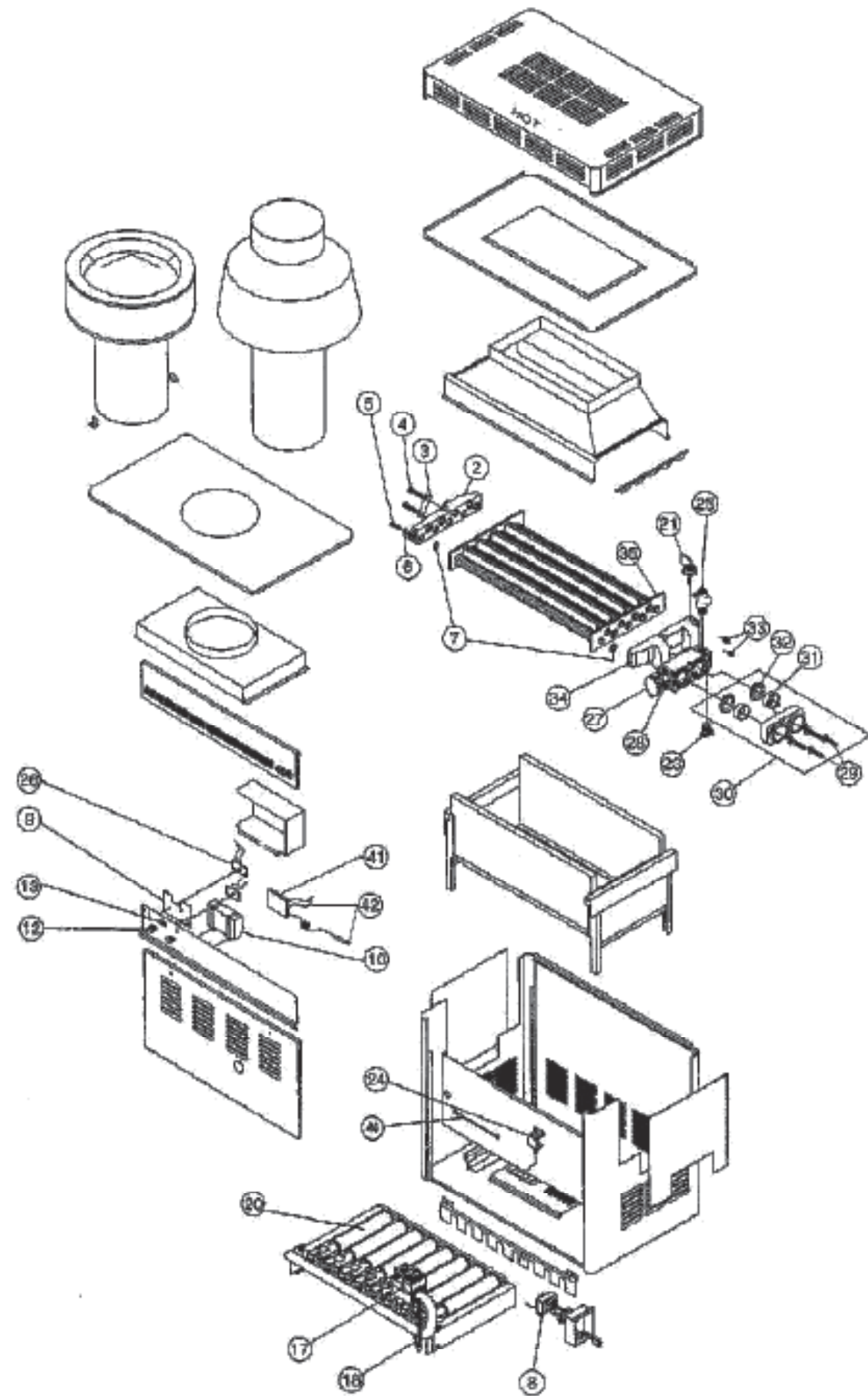


Key	Part#	Sku	Description	Key	Part#	Sku	Description
1	42881-00915	604338	Gas & Control Valve	11	32800-00589	604347	Fuse, Fireman's Switch
2	38904-00975	604337	Union, 3/4" (Does not Incl. 183-4)	12	42881-00325	604346	Ignition Control Module
3a	77787-0231	626877	Air Blower Kit, 175-200 Nat. Gas	13	42881-00075	626211	Transformer 11.1/230V
3b	46874E	626217	Air Blower Kit, 230 Nat. Gas	14	42881-00505	604344	Switch, Air Flow
3c	468737	626223	Air Blower Kit, 300 Nat. Gas	15	42882-00075	604342	PC Control Board (MA/LP Series)
3d	77787-0233	626281	Air Blower Kit, 400 Nat. Gas	17	42882-00342	626213	Top, Heater
3e	77787-0234	626876	Air Blower Kit, 175-200 Propane	18	4728182	626229	Membrane Pad (MA/LP Series)
3f	468744	626218	Air Blower Kit, 230 Propane	19	42882-00345	626874	Screen, Flue
3g	468738	626226	Air Blower Kit, 300 Propane	"	42881-00045	626228	Wire Harness
3h	77787-0236	626280	Air Blower Kit, 400 Propane	"	42881-00085	626218	Plug Kit 120/240V
7	42881-01345	N/A	Obsolete- Orifice (Use Item# 16)	"	472734	626212	Lined Assy., Board
Air Orifice Kits				Water Systems			
15a	42881-02005	626231	Combustion Chamber (Pre-2009)	3a	77787-0232	604303	175-200 BTU
15b	474283	CALL	Combustion Chamber (2009-)			CALL	230 BTU
27a	42881-02345	604287	Metal Elbow, Creeper (Pre-2009)			604304	300 BTU
27b	474294	CALL	Metal Elbow, Creeper (2009-)			604305	400 BTU
27c	474281	CALL	O-ring, Tube (2009-)			626230	HD-230 BTU
3-4 Gas Orifice Kits						626231	HD-400 BTU
468736	CALL	Nat. Gas 175				626232	HD-230 BTU
77787-0431	626284	Nat. Gas 200				626233	HD-400 BTU
468738	626214	Nat. Gas 230				626234	HD-230 BTU
46873E	626223	Nat. Gas 300				626235	HD-400 BTU
77787-0431	626283	Nat. Gas 400				626236	HD-230 BTU
468737	CALL	Propane 175				626237	HD-400 BTU
77787-0461	626285	Propane 200				626238	HD-230 BTU
468740	CALL	Propane 230				626239	HD-400 BTU
468734	626224	Propane 300					
77787-0441	626282	Propane 400					
6-7 Air Orifice Kits							
468738	CALL	175 BTU					
77787-0111	626281	200 BTU					
46874E	626215	230 BTU					
46873E	626227	300 BTU					
77787-0113	626282	400 BTU					
10-13 Flame Holder Kits							
77787-0202	604318	175-200 BTU					
46874E	CALL	230 BTU					
77787-0203	604317	300 BTU					
77787-0204	604316	400 BTU					
8-10,12	77787-0011	604315	Gasket Kit, Blower Adapter Plate				
Electrical System							
2	42882-00132	CALL	Cover, Display	2	474280	CALL	Main/Inlet Kit (Incl. 183, 110-14) Basic
3	42881-00305	604300	Ignitor Bracket	2a	77787-0034	626261	175-200 BTU
4	77787-0004	604304	Gasket Kit, Ignitor (Incl. 184-5)	2b	468748	626221	230 BTU
5	42881-00585	604303	Gasket, Ignitor	2c	77787-0013	626262	300 BTU
7	42882-00125	604302	Gas Auto Shut Off Switch	2d	77787-0036	626263	400 BTU
8	42881-00625	604301	High Limit Switch	3a	77787-0117	604302	O-Ring Kit (5-pt), Coil Assy. 175-200
9	42881-00935	604300	Thermistor	3b	468749	626222	O-Ring Kit (5-pt), Coil Assy. 230
10	42881-00045	604348	Terminal Board	3c	77787-0118	604301	O-Ring Kit (10-pt), Coil Assy. 300
				3d	77787-0119	604300	O-Ring Kit (12-pt), Coil Assy. 400
				3 E & 3	77787-0120	626227	O-Ring Kit (Incl. 183 & 3)
				8	77787-0001	604299	By-Pass Valve Kit
				9	42881-00605	604298	Water Pressure Switch
				14	77787-0017	626247	Connector Tube w/O-ring ex.
				15	77787-0030	604294	Thermal Regulator Kit (Incl. 1815-19)
				16	38888-00075	626288	Thermal Regulator w/Spring Clip
				18	35387-1313	68829	O-Ring, Therm. Regulator
				20	U178-920P	603829	Drain Plug
				21	U78-688P5	626223	Pipe Plug, 3/4"
				22	4737132	32000	Pressure Release Valve
				23	PIG-188	600468	Union

Penair Heaters
Mini-Max NT

Penair Heaters
Mini-Max Plus

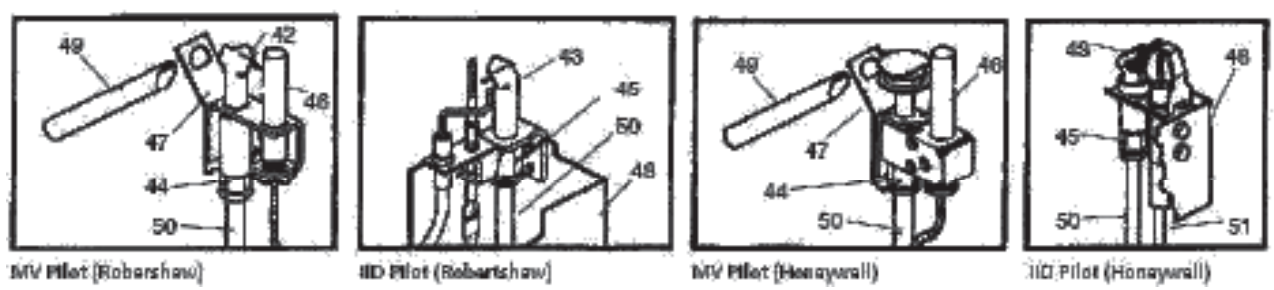
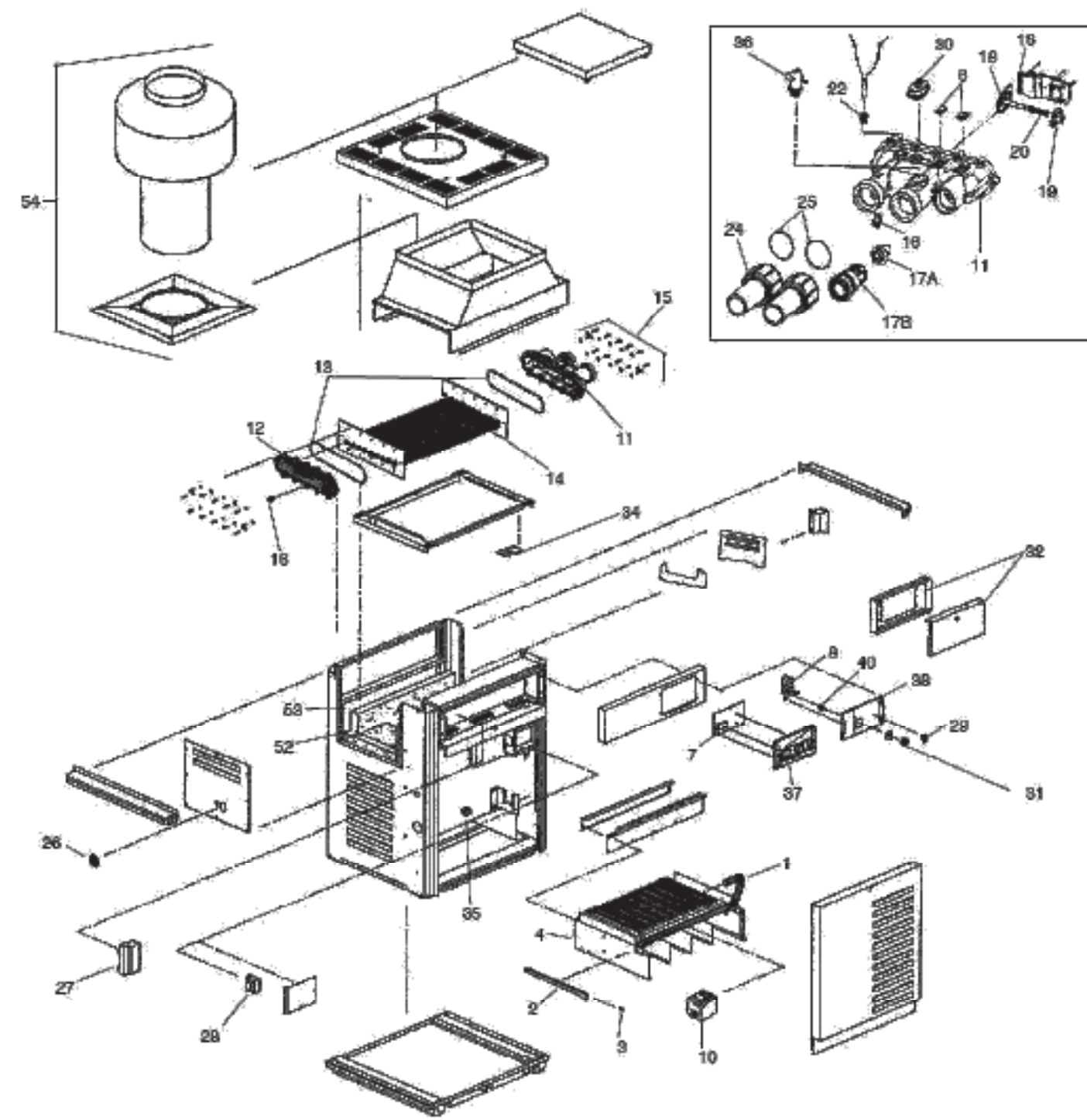
Key	Part#	Sku	Description	Key	Part#	Sku	Description
5 Blower w/Bracket							
	472361	622841	200, 230TSL & 300 w/DOFC Cont.	32a	460759Z	622636	Ignitor (NT, TSI w/2000 Cont.)
	472362	622842	230, 300TSL/LN & 400LN	32b	472477Z	622637	Ignitor (NT, TSI w/100FC Cont.)
	472374	622840	400TSL/NT	33	472370	622648	Window Glass w/Holder
	472324	N/A	Obsolete- 400TSL & 300TSL	34	472231	CALL	Flame Sensor
6 Ignitor, Blower							
	472363	622363	Gas, Blower	33a	472283	N/A	Obsolete- Use Item# 33
9 Return Heater Only							
	472364	622364	Return Heater Only	33b	472285	622663	Gas Manifold, D-4000 FT 230
10 Heat Exchanger							
	472362	622367	Heat Exchanger	33c	472287	N/A	Obsolete- Use Item# 33
11 Washer, Heat Exchanger							
	72384	40903	Washer, Heat Exchanger	33d	472288	622700	Gas Manifold, D-4000 FT 400
13a Heat Exchanger with Blowers							
	470371	622918	ASME 200 NT STD	35	472434	CALL	Gas Orifice, D-2999 FT
	470372	622927	ASME 230 NT STD	37	472211	622990	Burner
	470373	622928	ASME 300 NT STD	41	472813	622743	Junction Box
	470374	622929	ASME 400 NT STD	42	CALL	CALL	Air Pressure Switch
	472918	622907	200 BTU	43a	472130	622736	Ignition Control (NT & TSI Cont.)
	472921	622918	230 BTU	43b	472447	622729	Ignition Control (STD & LN Cont.)
	472922	622919	300 BTU	43d	472449	622813	Ignition Control (w/2000 Cont.)
	472923	622920	400 BTU	43e	472880	N/A	Obsolete- Ignition Control
13b Heat Exchanger Without Blowers							
	472924	622897	200 BTU	44a	472885	622834	Temp. Controller (w/2000 Cont.)
	472925	622898	230 BTU	44b	472100	622834	Temp. Controller (w/DOFC Cont.)
	472926	622899	300 BTU	45	472883	622622	Gas Pressure Switch
	472927	622900	400 BTU	46	471997	622473	Sub-Gas Manifold
14 Castles, Heat Exchangers							
	472642	622246	200 BTU	47	460760	622775	Gas Valve, Nat. Gas
	472643	622249	230 BTU	48a	471905	N/A	Obsolete- Burner Tray 230
	472644	622257	300 BTU	48b	472895	622883	Burner Tray 230
	472645	622260	400 BTU	48c	471923	622882	Burner Tray 300
15 Probe, Thermistor							
	471966	622308	Probe, Thermistor	48d	471983	622825	Burner Tray 400
16 High Limit 1.37F							
	471967	622489	High Limit 1.37F	49	471696	622638	Ignitor Retra Kit (NT & LN)
17 High Limit 1.30F							
	472694	622496	High Limit 1.30F	50	CALL	CALL	Gas Manifold
18a Pressure Switch (Repl# 472123)							
	472673	622343	Pressure Switch (Repl# 472123)	51	471984	622275	Gas Orifice, D-2999 FT
18b Pressure Switch (ASME, NT & STD)							
	470290	633372	Pressure Switch (ASME, NT & STD)	52	471698	622982	Burner
19 In/Out Top Sub-Header							
	472363	622673	In/Out Top Sub-Header	53	472363	622637	Sub-Gas Manifold (NT & STD)
20 In/Out Main Header							
	472362	622883	In/Out Main Header	54a	460760	622775	Gas Valve, Nat. Gas
21 In/Out Bottom Sub-Header							
	472364	622692	In/Out Bottom Sub-Header	54b	460761	622776	Gas Valve, Propane
22 Cap, Bottom Sub-Header							
	472428	622332	Cap, Bottom Sub-Header	55	CALL	CALL	Burner Tray
23 O-Ring, Bulkhead							
	274484	66383	O-Ring, Bulkhead	56a	460759Z	622636	Ignitor (2000 Cont.)
24 Locknut							
	274440	602267	Locknut	56b	472604	622372	Ignitor (DOFC Cont.)
25 Bulkhead Adapter, 2"							
	472441	622378	Bulkhead Adapter, 2"	57	471603	622413	Flame Sensor
26 Seal, Flow Valve							
	70901	12893	Seal, Flow Valve	58	CALL	CALL	Gas Manifold
27 Flow Control Assy.							
	472358	622709	Flow Control Assy.	59a	73727	600167	Orifice, Nat. Gas D-2999 FT
28 Power Element, Flow Valve							
	472360	622308	Power Element, Flow Valve	59b	73728	600166	Orifice, Propane D-2999 FT
29 Sub-Gas Manifold							
	472363	622617	Sub-Gas Manifold	60a	70930	600104	Burner
30 Gas Valve, Nat. Gas (TSI Models)							
	460762	CALL	Gas Valve, Nat. Gas (TSI Models)	60b	471970	622930	Burner w/Bracket
31 Burner Tray Assy.							
	472366	622874	200 BTU	"	73173	600222	Thermal Cut-Off
	472367	622890	230 BTU	"	472208	613992	Transformer 40W
	472368	622892	300 BTU	"	472320	622743	Wire Harness (DOFC Cont.)
	472369	622903	400 BTU	"	472375	622733	Wire Harness (2000 Cont.)
				"	472334	CALL	Wire Harness (DOFC Cont.)
				"	470181	622264	Stat, Thermostat
				"	470184	613992	Stat, Thermostat
				"	470188	622313	Silicone Tubing
				"	471773	CALL	Power Switch



Pentair Heaters
Mini-Max Plus

Raypak Heaters
HF200 (1998-Current)

Key	Part#	SKU	Description	Key	Part#	SKU	Description
2	070994	600077	Return Header	29	073492	603062	Ball, Flange
3	074216	600069	Washer, Bracket	30	073204	604434	Flange Kit
4	073798	609138	Ball, 3/8"x 2" Header	31	070244	603094	Washer, Lock
5	070416	609137	Ball, 3/8"x 1-1/2" Header	32a	071893	608719	Rubber Sleeve, 2"
6	072180	600076	Washer, 3/8"	32b	070229	N/A	O-Ring - Bulker Sleeve
7	070931	32003	Gasket, Tube	33	073807	603088	Shut Off Switch
8	471360	600075	Transformer	34	070983	603073	In/Dirt Heater
9	470179	604873	PC Board M2, Thermostat				*Exchangers Less Heaters
10a	073004	600218	Model, Nat. Gas	35	Heat Exchangers	604433	Heat Exchanger, 130"
10b	073003	600217	Model, Propane		074432	604438	Heat Exchanger, 200"
12	470084	613092	Emb, Thermostat		074431	604432	Heat Exchanger, 230"
13	470086	600127	Recker Switch		073629	604429	Heat Exchanger, 300"
17a	073998	600168	Gas Valve, M2 Nat. Gas		073630	604428	Heat Exchanger, 300"
17b	073999	600122	Gas Valve, M2 Propane		074074	604431	Heat Exchanger, 400"
17c	073437	600113	Gas Valve, MV Nat. Gas	41	471677	613093	Thermostat (MV Models)
17d	073438	600114	Gas Valve, MV Propane	42	470080	603076	Thermister Sensor (M2 Models)
18a	073191	600113	Pilot Tube, M2 130-200	42	471240	613091	Thermister Sensor (MV Models)
18b	073192	600112	Pilot Tube, M2 230-300	44	073173	603222	Fusible Link
18c	073193	600111	Pilot Tube, M2 300-400	"	471204	603091	Pilot, M2 Nat. Gas
18d	070204	604931	Pilot Tube, MV 130-200	"	471203	603090	Pilot, M2 Propane
18e	070203	604930	Pilot Tube, MV 230-300	"	471292	603091	Pilot, MV Nat. Gas
18f	070206	604949	Pilot Tube, MV 330-400	"	471291	603090	Pilot, MV Propane
20a	070230	600104	Burner	"	071313	603092	Pilot Generator
20b	470030	603092	Burner w/Bracket (Pilot)	"	073727	600167	Burner Orifice, Nat. Gas
21	470030	613072	Pressure Switch	"	073728	600166	Burner Orifice, Propane
23	072134	600074	Drain Valve, 3/4"	"	470963	613463	Wire Harness (M2 Models)
24	073433	604424	Ignitor (for MV Models)	"	073001	604427	Wire Kit (MV Models)
25	072138	600072	Pressure Release Valve	"	470178	603070	Power Element, Flow Valve
26	471678	613071	Potentiometer (MV Models)	"	074292	603216	LED Indicator Board
27	471424	608079	Flow Control Assy.	"	070273	603203	TSTAT Potentiometer (M2 Models)
28	074813	608723	Gasket, Flow Valve				



MV Pilot (Robarshaw)

M2 Pilot (Robarshaw)

MV Pilot (Honeywell)

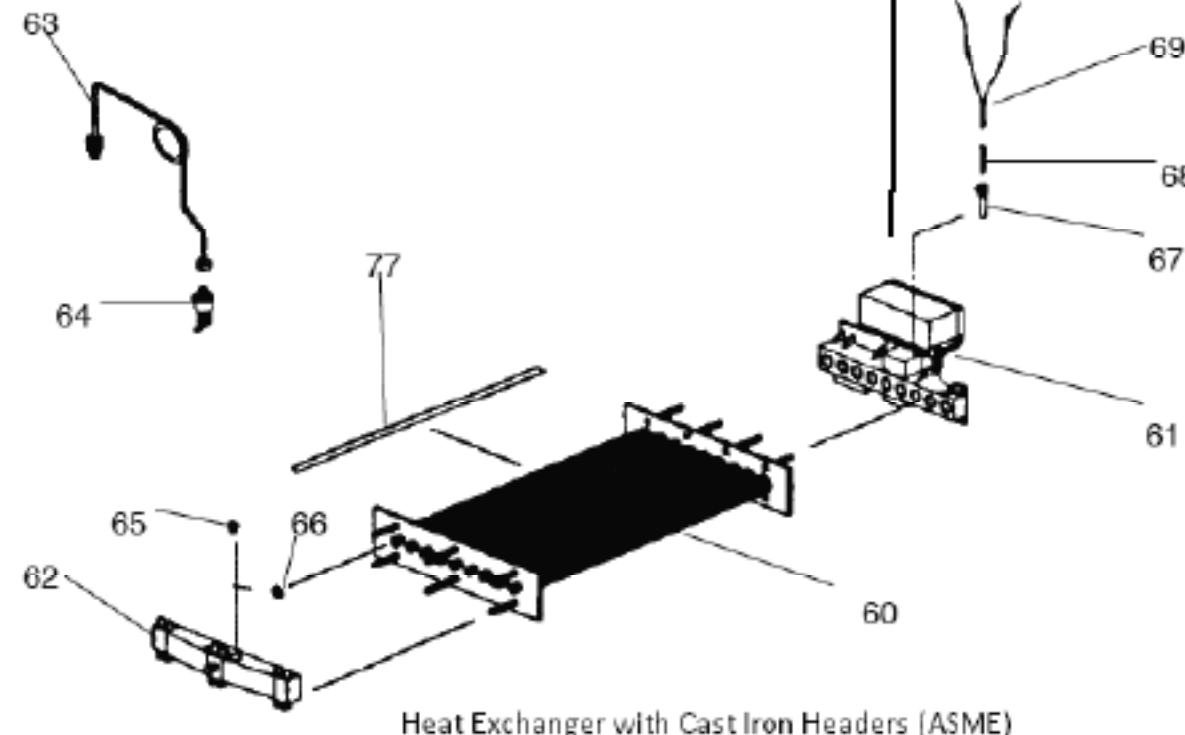
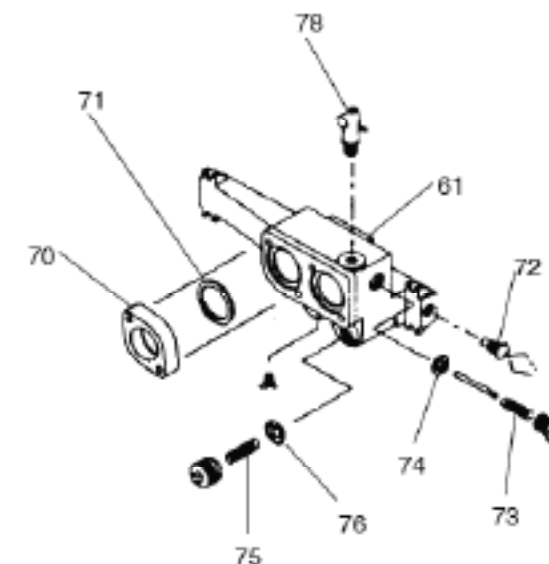
M2 Pilot (Honeywell)

**Raypak Heaters
RF2100 (1998-Current)**

**Raypak Heaters
RF2100 (1998-Current)**

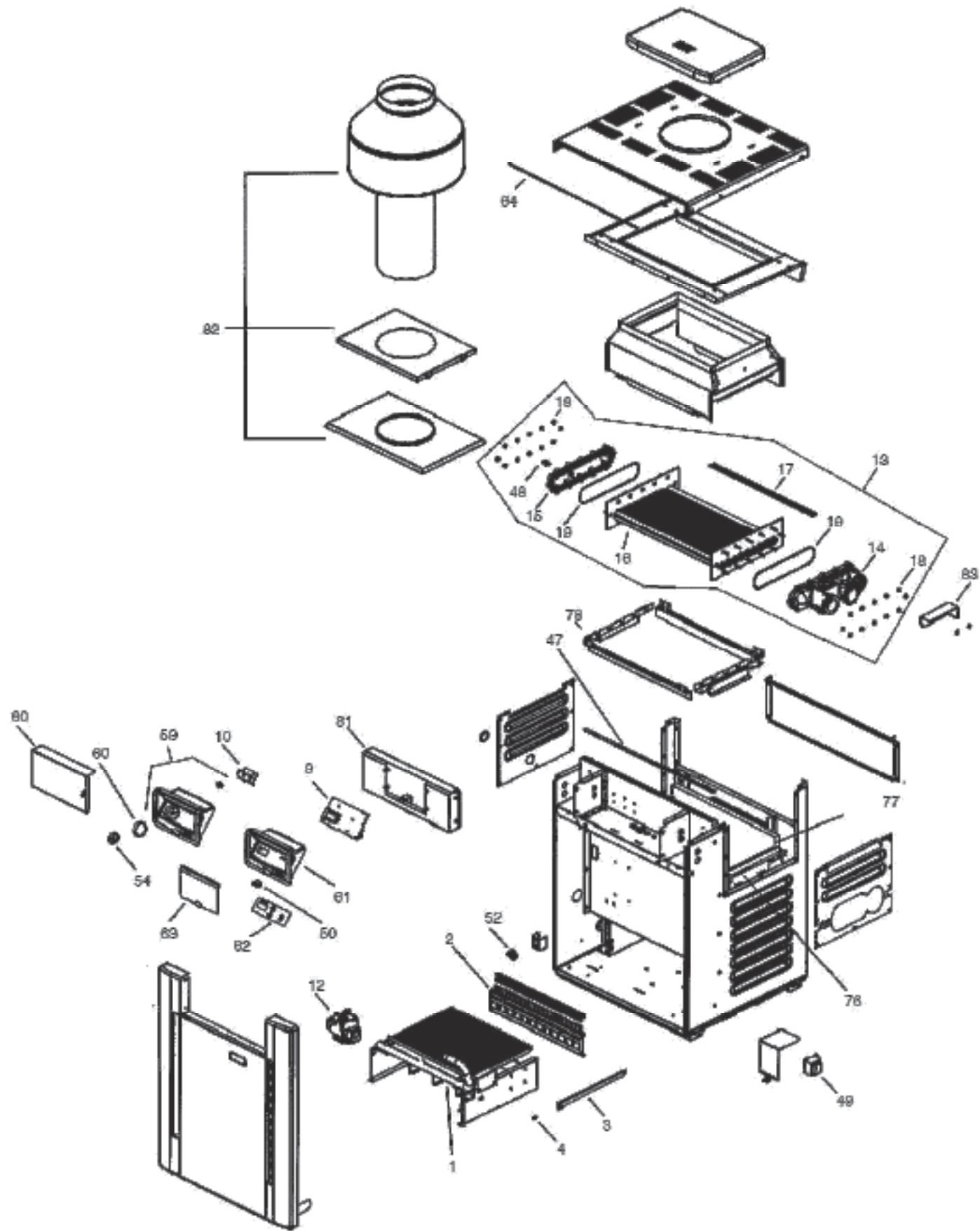
Key	Part#	SKU	Description	Key	Part#	SKU	Description
1	Banner Tray Only		No Gas Valve	27	004817H	12379	Ignition Control, 80 Nat. Gas
	004213F	604629	R183	27	004818H	604872	Ignition Control, 80 Propane
	004214F	604628	R283	28	008872F	N/A	Obsolete- Transformer (Use 827)
	004215F	604627	R383	28	006734F	12332	Transformer
	004216F	604621	R483	29	008872F	604343	Reset Switch (MV Models)
2	301238	604736	Banner Only	30	006737F	12334	Pressure Switch, for Plastic Heaters
3	300088	604620	Banner Orifice, Nat. Gas	31a	008883F	604897	Kraak, Thermostat
3	300083	604734	Banner Orifice, Propane	31b	004899F	604342	Kraak Kit, Therm. (Repl. 888383)
4	004263F	604399	Banner Tray Only 183	32	008298	604323	POKITSTAT Cover & Lock
4	004266F	604398	Banner Tray Only 263	34	307223	604338	Shield, Pilot
4	004267F	604397	Banner Tray Only 333	35	630914	600097	Thermal Fuse
4	004268F	604396	Banner Tray Only 403	36	008901F	12333	Pressure Release Valve 183
6	006723F	12312	High Limit 183TF	36	007224F	604704	Pressure Release Valve 263-403
7	010233F	12316	Circuit Board Kit	"	008291F	633721	Defining Kit
8	600227H	12834	Mechanical Thermostat, MV	"	008244F	600162	Wire Harness, MV
8	008901F	604938	Thermostat (MV Models)	"	008243F	600176	Wire Harness, 80
8	006701F	12313	Temp. Sensor, IID	37	006739F	604381	Control Panel, 80
30	008908F	12202	Gas Valve, MV Nat. Gas	"	009384F	623438	Decal Milestones, Controls
30	008909F	12201	Gas Valve, MV Propane	38	008291F	604961	Switch, Decal
30	008900F	12200	Gas Valve, 80 Nat. Gas	40	800807	N/A	Obsolete- Control Panel (Use 831h)
30	004306F	604733	Gas Valve, 80 Propane	42	600223H	604701	Pilot, MV Nat. Gas
11	006706F	12321	Inlet/Outlet Header, Plastic	42	600073H	604700	Pilot, MV Propane
11	006827F	633719	Inlet/Outlet Header, Complete	43	002003F	12638	Pilot, 80 Nat. Gas & Propane
12	006707F	12322	Return Header, Plastic	44	008901F	604699	Pilot Orifice, MV Nat. Gas
13	006713F	12328	Gasket, Header	44	008902F	604698	Pilot Orifice, MV Propane
34	Tube Handles		For Plastic Heaters (Residential)	45	008903F	633722	Pilot Orifice, 80 Nat. Gas
	006708F	12323	R183	45	004308F	604697	Pilot Orifice, 80 Propane
	006709F	12324	R283	46	600019H	12631	Pilot Generator, MV
	006710F	12325	R383	47	308893	604696	Mounting Bracket, MV Pilot
	006711F	12326	R483	48	308892	604694	Mounting Bracket, IID Pilot
80	Tube Handles		For Cast Iron Heaters (ASME)	49	062996	604339	Lighter Tube, MV
	006732F	604389	R183 ASME	50	004078F	623443	Pilot Tube
	006733F	604392	R283 ASME	51	002693H	600284	Hi Tension Wire, 80
	006734F	604391	R383 ASME	52	008282F	12398	Refractory (Left & Right)
	006735F	604390	R483 ASME	53	008283F	12399	Refractory (Front & Rear) 183
15	006712F	600184	Bolt, Header	53	008284F	12392	Refractory (Front & Rear) 263
36	006721F	12317	Drain Plug, Header	53	008283F	12393	Refractory (Front & Rear) 333
17A	006719F	12315	UniTherm Governor	53	008282F	12394	Refractory (Front & Rear) 403
17B	006720F	12316	Plug, Governor	34	008896	30757	Indoor Stack 183
18a	006722F	600178	Header Dam	34	008897	30758	Indoor Stack 263
18b	006714F	12329	Adapter, Valve	34	008898	623339	Indoor Stack 333
39	062233H	604709	Bypass Valve	34	008899	30760	Indoor Stack 403
20	300233	604707	Spring, Valve				
22	006714F	12329	Sensor Well, 80				
22	008903F	600183	Sensor Well, MV				
24	006723F	12319	Union 2"				
25	006724F	623421	O-Ring, Union				
26	004264F	34331	Drain Plug, Cover				

Key	Part#	SKU	Description
61	006730F	32043	Inlet Outlet Header, Metal (ASME)
62	006730F	32329	Return Header, Metal (ASME)
63	000000F	604496	Tube, Pressure Switch
64	006737H	32084	Pressure Switch (Metal Heaters)
65	600000B	32048	High Limit 183TF (Black)
66	800014B	32137	Gasket, Header
67	008760F	604703	Sensor Well
68	300003	600031	Clip, Sensor Well
69	006701F	32113	Temp. Sensor, 80 (2-Wire)
70	008760F	604976	Inlet/Outlet Flange
71	006728B	32133	Gasket, Flange 1-1/2"
71	800000B	32136	Gasket, Flange 2"
72	600000B	32347	High Limit 183TF (Red)
73	300002	604708	Spring, Bypass Valve 183
73	300003	604707	Spring, Bypass 263-403
74	006728B	604705	Bypass Valve
75	800004	604710	Spring, Governor
76	006728B	32328	UniTherm Governor
77	000000F	604370	Baffles (Opt) R183A
77	000001F	604368	Baffles (Opt) R263A
77	000002F	604367	Baffles (Opt) R333A
77	000003F	604366	Baffles (Opt) R403A
78	008901F	32000	Air Release Valve (Optional) 183
78	007224F	604704	Air Release Valve (Optional) 263-403



Raypak Heaters
Digital (Atmospheric)

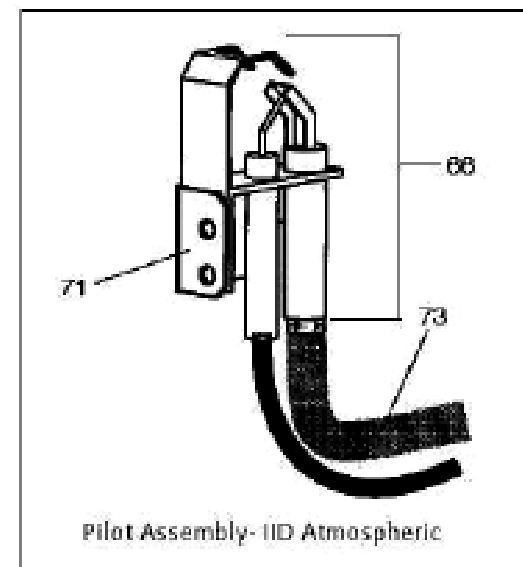
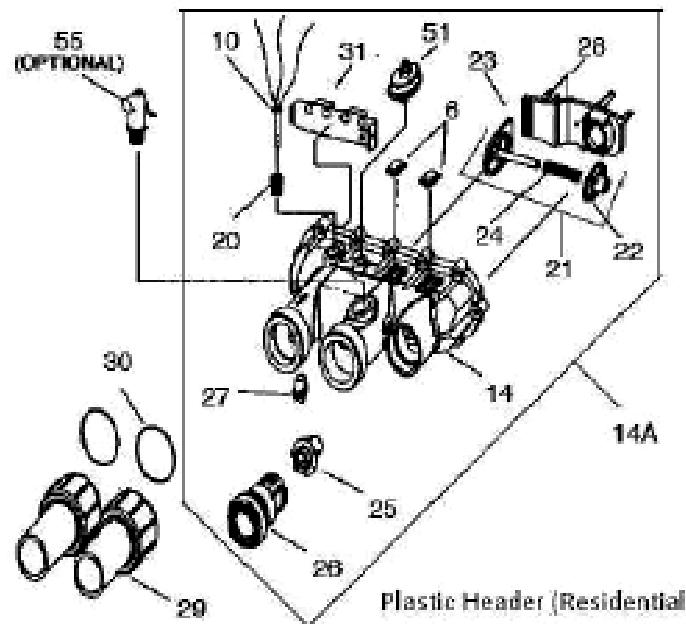
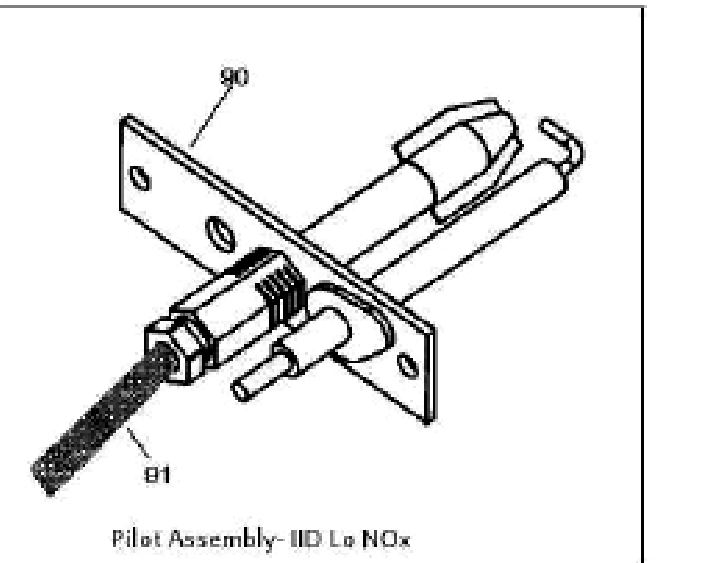
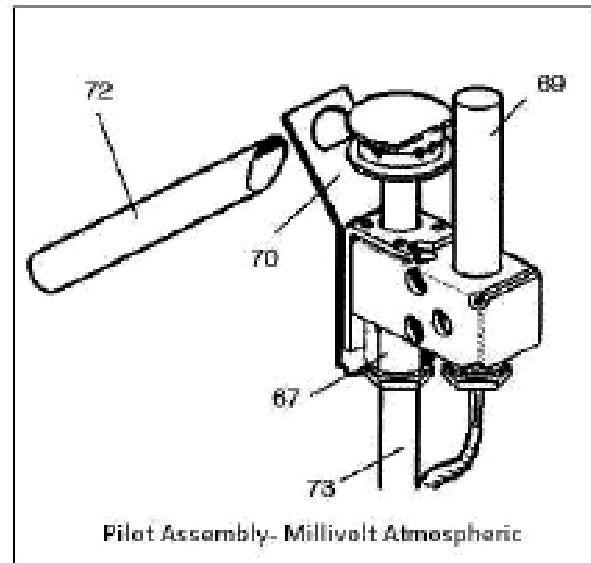
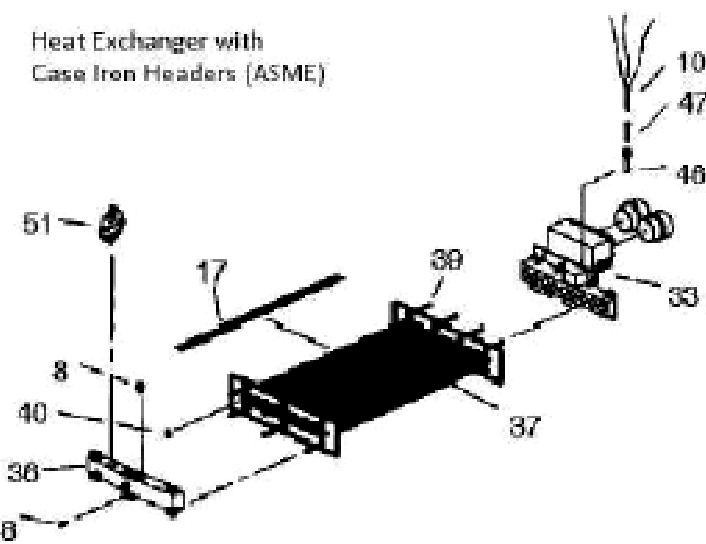
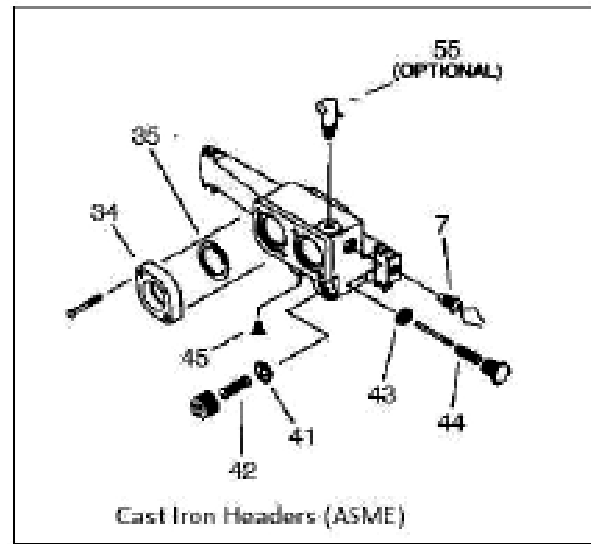
Raypak Heaters
Digital (Atmospheric)



Key	Part#	Sku	Description	Key	Part#	Sku	Description	
1a Burner Tray with Burners				16a Tube: Blauie: Only for Metal Headers (ASME)				
	01.0391F	623371	R20GA		01.0366F	623606	Cupro-Nickel B206A	
	01.0392F	623377	R26GA		01.0367F	623609	Cupro-Nickel B406A	
	01.0393F	623393	R36GA					
	01.0394F	623388	R40GA		01.0368F	623604	Cupro-Nickel B206A	
1b Burner Tray Only					01.0369F	623607	Cupro-Nickel B406A	
	01.0421F	623348	R20GA		01.0370F	623609	Cupro-Nickel R406A	
	01.0422F	623352	R26GA		01.0371F	623602	Cupro-Nickel B206A	
	01.0423F	623361	R36GA		01.0372F	623604	Cupro-Nickel B406A	
	01.0424F	623362	R40GA					
2 Burner Hold Down Kit					17a	01.0380F	623608	Cupro-Nickel B406A
	01.0413F	623443	R20GA		17b	01.0381F	623604	Baffle Kit (Spd) B206A
	01.0414F	623448	R26GA		17c	01.0382F	623608	Baffle Kit (Spd) B406A
	01.0417F	623483	R36GA		17d	01.0383F	623611	Baffle Kit (Spd) B606A
	01.0418F	623490	R40GA		17e	01.0384F	623616	Baffle Kit (Spd) B806A
3	301233	604736	Burner (Single)	18	005208F	623416	Nut, Flange	
4	300078F	623482	Burner Orifice, Met. Gas Sea Lead	19	005713F	32328	O-Ring, Flange	
4	300083F	604734	Burner Orifice, Propane Sea Lead	34	003766F	604876	Flange, Inlet/Outlet	
7	6008928	32347	High Limit 130°F	35a	002236B	32133	Gasket, 1-1/2" Flange	
8	6008938	32348	High Limit 140°F	35b	000808B	32136	Gasket, 2" Flange	
9	01.0233F	32316	PC Board	38	007870F	623433	Bolt Kit, Heat Exchanger	
10a	003348F	604062	Thermostat Control	40	000014B	32137	Gasket, Header	
10b	003677F	623478	Temp. Sensor (HD Models)	41	002234B	32500	Limitless Governor	
12a	003890F	32202	Gas Valve, MV Met. Gas	42	009234	604210	Retainer Spring, Governor	
12b	003899F	32201	Gas Valve, MV Propane	43	002233B	604709	Bypass Valve	
12c	003900F	32200	Gas Valve, HD Met. Gas	44a	009232	604708	Spring, Valve B206A	
12d	004306F	604733	Gas Valve, HD Propane	44b	009231	604707	Spring, Valve B26GA-R406A	
13a Heat Exchanger with Plastic Headers (Met.)				46	003762F	604705	Well, Sensor	
	01.0043F	623611	Copper B206A	47	300283	600133	Retaining Clip, Sensor Well	
	01.0044F	623612	Copper B26GA	48a	003264F	34031	Drain Plug	
	01.0043F	623614	Copper B36GA	48b	005721F	32337	Drain Valve, 1/4"	
	01.0044F	623617	Copper B406A	48	005736F	32332	Transformer 24V	
	01.0334F	623620	Cupro-Nickel B206A	51a	005737F	32334	Pressure Switch 1.75 PSI	
	01.0337F	623623	Cupro-Nickel B26GA	51b	005138F	623473	Pressure Switch 11 PSI	
	01.0338F	623627	Cupro-Nickel B36GA	50	005403F	623418	Boiler Switch	
	01.0339F	623630	Cupro-Nickel B406A	52	003000F	600007	Thermal Fuse	
13b Heat Exchanger with Metal Headers (ASME)				53	000011F	32333	Pressure Release Valve, 12.5 PSI	
	01.0001F	623613	Copper B206A	*	01.0365F	623485	Wire Harness, MV	
	005727F	32342	Copper B26GA	*	005400F	623324	Wire Harness, HD	
	01.0003F	623621	Copper B36GA	55	005400F	623489	Control Base, MV	
	01.0004F	623622	Copper B406A	59	005500F	623411	Decal	
	01.0362F	623619	Cupro-Nickel B206A	61	005401F	623329	Control Base	
	01.0361F	623624	Cupro-Nickel B26GA	62	005402F	623436	Decal, Switch	
	01.0362F	623626	Cupro-Nickel B36GA	63	005407F	623424	Cover, Head	
	01.0363F	623629	Cupro-Nickel B406A	64	01.0300F	623423	Gasket, Top	
14a	005706F	32321	In/Out Headers, Plastic	76	01.0300F	623317	Refractory (Left & Right)	
14b	005730F	32343	In/Out Headers, Metal (ASME)	77		CALL	Refractory	
14c	005707F	32322	Return Header, Plastic	78		CALL	Retainer, Refractory	
14c	005731F	623333	Header, Cast Iron (ASME)	80	5000	623487	POOLSTAT Cover & Lock	
15a Tube: Blauie: Only for Plastic Headers (Met.)				81a	01.0321F	623449	Control Panel B206A	
	01.0009F	623386	Copper B206A	81b	01.0322F	623444	Control Panel B26GA	
	01.0062F	623389	Copper B26GA	81c	01.0323F	623432	Control Panel B36GA	
	01.0061F	623390	Copper B36GA	81d	01.0324F	623434	Control Panel B406A	
	01.0062F	623393	Copper B406A	82a		CALL	Indoor Stack	
	01.0364F	623398	Cupro-Nickel B206A	82b		CALL	Outdoor Stack	
	01.0363F	623600	Cupro-Nickel B26GA	83	01.0342F	623427	Shield, High Limit	

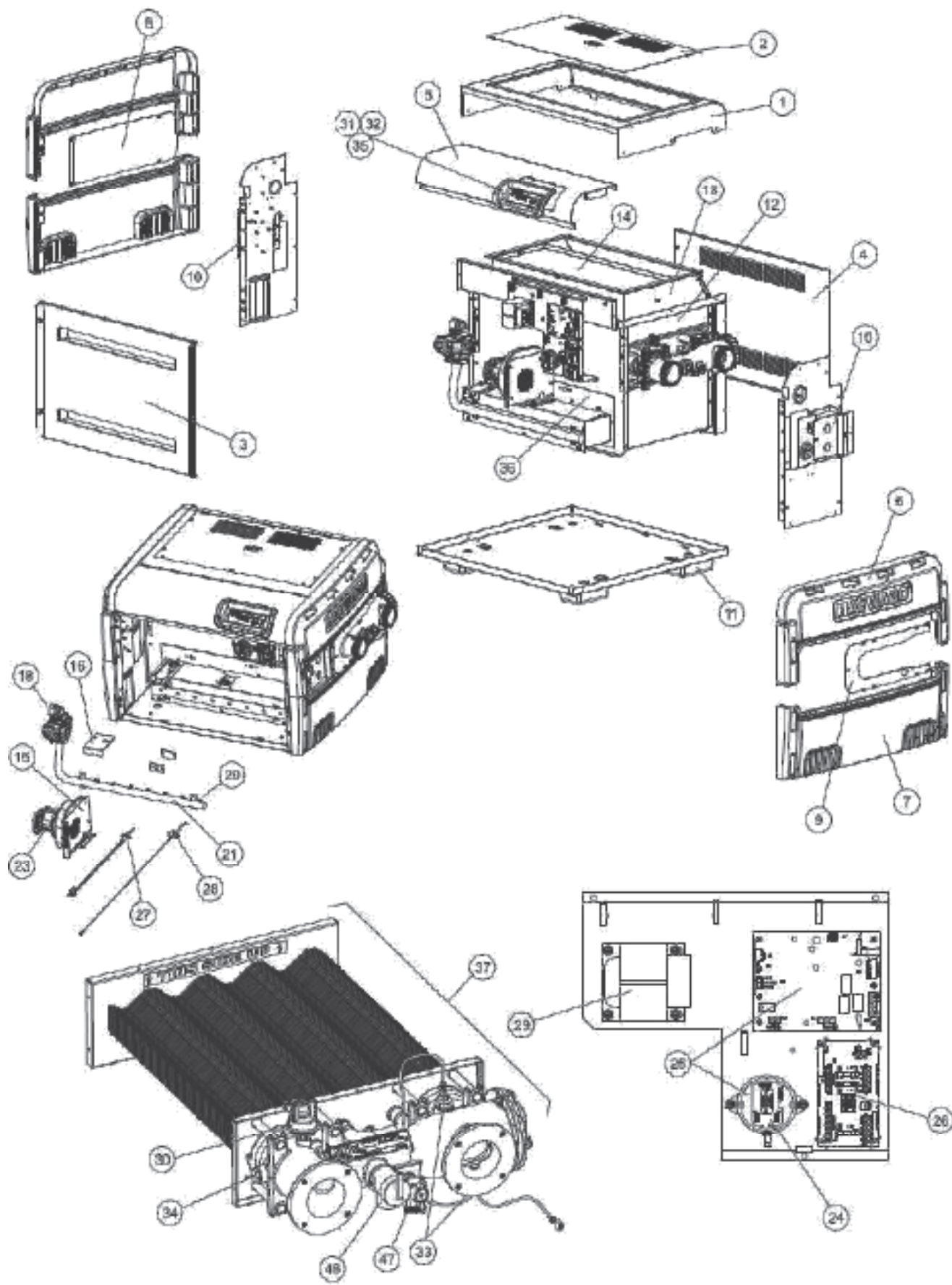
Raypak Heaters
Digital LoNOx & Atmospheric

Raypak Heaters
Digital LoNOx



Key	Part#	SKU	Description	Key	Part#	SKU	Description
3a Burner Tray with Burners				13a Water Mounted Bar Plastic Headers			
	R10343F	623373	R207A	13a	006787F	32022	Return Header, Plastic
	R10344F	623379	R267A	13b	006791F	62003	Return Header, Cast Iron (ASME)
	R10345F	623387	R337A				
	R10346F	623392	R407A				
3b Burner Tray Only							
	R10344F	623379	R207A	010300F	62006	Copper R207A	
	R10343F	623373	R267A	010300F	62008	Copper R227A	
	R10345F	623387	R337A	010301F	62009	Copper R337A	
	R10346F	623392	R407A	010302F	62010	Copper R407A	
2 Burner Heat Drain Kit				010304F	62018	Copper Nickel R207A	
	R10234F	623489	R207A	010305F	62019	Copper Nickel R227A	
	R10233F	623488	R267A	010306F	62020	Copper Nickel R337A	
	R10234F	623487	R337A	010307F	62021	Copper Nickel R407A	
	R10237F	623422	R407A				
3	310792	623461	Single Burner	010307F	62022	Copper Nickel R407A	
4	311318	623404	Burner Orifice, Mist. Gas, Sea Level	17a	010308F	620474	Baffle Kit (Right) R207A
5	R10371F	623403	Coating Fan	17b	000261F	620468	Baffle Kit (Right) R267A
6	R10042F	623368	Blower	17c	010308F	62011	Baffle Kit (Right) R337A
7 Combustion Air Plate				17d	010301F	62016	Baffle Kit (Right) R407A
	R10338F	623412	R207A	18	000208F	620416	Nut, Flange
	R10339F	623413	R267A	19	006713F	32028	O-Ring, Flange
	R10340F	623414	R337A	20	000704F	620417	Relay
	R10341F	623413	R407A	34	000700F	620476	Flange, Inlet/Outlet
8	R10348F	623428	Sample Tube, Blower Switch	30a	062238B	32133	Gasket, 3-1/2" Flange
9	R10233F	32316	PC Board	30b	800000B	32136	Gasket, 2" Flange
8 Burner Pressure Switch				39	007070F	620433	Ball Kit, Heat Exchanger
	R06052F	623741	R207A	40	800014B	32137	Gasket, Header
	R06033F	623472	R267A	41	062298B	32020	Uniflamm Governor
	R10334F	623468	R337A	42	800204	620418	Retainer Spring, Governor
	R10335F	623469	R407A	43	062238B	620409	Bypass Valve
12	R10329F	623338	Gas Valve, HD Nat. Gas	44a	800032	620408	Spring, Valve R267A
13a Heat Exchanger with Plastic Headers (Res.)				44b	800033	620407	Spring, Valve R267A-R407A
	R10043F	623611	Copper R207A	46	000700F	620403	Weld, Sensor
	R10044F	623612	Copper R227A	47	300003	620033	Retaining Clip, Screw Well
	R10045F	623614	Copper R337A	48a	000204F	34321	Drain Plug
	R10046F	623617	Copper R407A	48b	000721F	32027	Drain Valve, 1/4"
	R10336F	623620	Copper Nickel R207A	49	000730F	32032	Transformer 24V
	R10337F	623621	Copper Nickel R227A	52	000300F	620442	Thermal Fuse
	R10338F	623627	Copper Nickel R337A	"	010307F	620023	Wire Harness, HD
	R10339F	623628	Copper Nickel R407A	50	000450F	620418	Rocker Switch
14a	R06027F	32323	Complete Header w/Gasket	51	000451F	620028	Control Bezel
13b Heat Exchanger with Metal Headers (ASME)				52	000452F	620436	Decal, Switch
	R10001F	623613	Copper R267A	53	000457F	620424	Cover, Bezel
	R06727F	32342	Copper R267A	54	010300F	620423	Gasket
	R10003F	623623	Copper R367A	76	010075F	620048	Redractory (Left & Right)
	R10004F	623622	Copper R407A	77		CM1	Redractory
	R10360F	623619	Copper Nickel R267A	78		CM1	Redractory
	R10361F	623624	Copper Nickel R267A	80	90001	620487	POULSTYX Cover & Lock
	R10362F	623626	Copper Nickel R367A	81a	010321F	620449	Control Panel R207A
	R10363F	623629	Copper Nickel R407A	81b	010322F	620448	Control Panel R267A
14b	R06700F	32323	Inlet/Outlet Header, Plastic	81c	010323F	620432	Control Panel R337A
14c	R06730F	32343	In/Out Headers, Metal (ASME)	81d	010324F	620434	Control Panel R407A
				82a		CM1	Inletter Stack
				82b		CM1	Outletter Stack
				83	010302F	620427	Shield, High Limit
				90	010303F	620014	Pilot, HD Mist. Gas
				91	004070F	620443	Pilot Tube

Hayward Heaters
H-Series Commercial



Hayward Heaters
H-Series Commercial

Key	Part#	SKU	Description	Key	Part#	SKU	Description
1	FDDJKT1-	CALL	Top Jacket	30	FDDJWPS1580	617433	Water Pressure Switch
2	FDDJFC1-	CALL	Flue Cover	31	HDJLDB1580	614824	Display Board Only
3	FDDJFAD1-	CALL	Front Door	32	FDDJBP1580	617436	Bezel & Keypad Assy.
4	FDDJRD1-	CALL	Rear Door	33	FDDJHL1580	617438	High Limit TSTF
5	FDDJTFP1-	CALL	Top Front Panel	34	FDDJTR1580	617439	Thermostat
6	FDDJUEC1580	CALL	Upper End Cap	35	FDDJGR1582	617420	Gasket, Bezel (Top)
7	FDDJLEC1580	CALL	Lower End Cap	36	FDDJGR1584	617421	Gasket, CC Front/Air Box
8	FDDJLTP1580	CALL	Left Trim Panel Kit	37a	FDDJHDL230	617424	Heat Exchanger, H230 ASME
9	FDDJLTP1580	CALL	Right Trim Panel Kit	37b	FDDJHDL400	617427	Heat Exchanger, H400 ASME
10a	FDDJJB1580	CALL	Junction Box, Left Side	47	FDDJDP1580	CALL	Drain Valve (ASME)
10b	FDDJJB1580	CALL	Junction Box, Right Side	48	CHDRLV1580	604127	Pressure Release Valve
10c	FDDJJB1580	CALL	Carver, Left Junction Box	FDDJBR1580	617435	Burner	
10d	FDDJJB1580	CALL	Carver, Right Junction Box	FDDJSC1580	617437	Fuse Service Kit	
11	FDDJPL1580	CALL	Base Leg	FDXLGSK1930	617438	Gasket Kit, Includes: -Gasket, Mounting Bracket -Gasket, Front Air Box Cover -Gasket, Manifold	
12	FDDJFC3580	CALL	Side Panel, Flue Collector	FDXLGSK1931	617439	Gasket Kit, Includes: -Gasket, Flue Collector -Gasket, Rain Guard -Gasket, Bottom Side -Gasket, Top Flue Collector -Gasket, Front & Back Rain Guard -Gasket, Bottom Front & Back	
13	FDDJBS1-	CALL	Rain Guard	FDDJGS1583	CALL	Insulation, Return Side Tube Sheet	
14	FDDJHBP1-	CALL	Heat Barrier Panel	FDDJWH1580	617440	Wiring Harness Kit	
15a	FDDJBBN1230	617460	Inlet Baffle, H230 Blower	UDDNBWT1230	617432	Indoor Vent Adapter Kit H230	
15b	FDDJBBN1400	617461	Inlet Baffle, H400 Blower	UDDNBWT1400	617433	Indoor Vent Adapter Kit H400	
16	FDDJAC1580	CALL	Access Cover, Igniter	UDNPGSH21230	CALL	Indoor Vent Adapter Kit H230	
18a	FDDJGSV0000	617400	Gas Valve, Nat. Gas	UDNPGSH21400	CALL	Indoor Vent Adapter Kit H400	
18b	FDDJGSV0002	617401	Gas Valve, Propane				
20a	FDDJBDN0930	617402	Burner Orifice Kit, Nat. Gas				
20b	FDDJBDN1580	617403	Burner Orifice Kit, Propane				
21a	FDDJMAN1230	617405	Gas Manifold, H230				
21b	FDDJMAN1400	617406	Gas Manifold, H400				
23	FDDJBR1580	617409	Combustion Blower				
24	FDDJBS1580	617411	Switch, Blower				
25	FDDJCB0580	617412	Integrated Control Board				
26	FDDJFMP1580	617413	Field Wiring Panel				
27	FDDJIGM1580	617414	Igniter				
28	HDJFLS1580	32816	Flame Sensor				
29	HDJZTRF153	614804	Transformer				

Key	Part#	Sku	Description	Key	Part#	Sku	Description
1a	88326303	624206	Heat Exchanger, 230	4a	8837000	614834	Igniter
1b	88326303	624204	Heat Exchanger, 400	4a	8836900	624012	Igniter, LO MEX
2a	88326603	624204	Take Assy., 230	4c	88329400	614833	Limit Switch, Exhaust
2b	88326603	624204	Take Assy., 400	31a	88336200	624487	Wire Harness, 220V Plug
3a	88334803	624413	Ballflex (1.0pts), 230	31b	88336300	624488	Wire Harness, 240V Plug
3b	88334803	624404	Ballflex (1.0pts), 400	32	88336400	624437	Wire Harness, 1.5-Pin
4	88326900	614821	Front Header	33	88376300	624823	Terminal Block
5	88327000	614822	Rear Header	34a	88329600	614836	Temp. Control & Board
6	88327100	614823	By-Pass Assy.	34b	88330300	614837	Temp. Control w/ Dual Controls
7	88326700	614824	Gasket, By-Pass	35	88334800	614838	Flame Sensor
8	88327200	614825	Spring, By-Pass	36a	8837000	624428	Flame Sensor, LO MEX
9	88327300	617878	Union Kit	36	88012200	52182	Fusible Link
10	88327600	624377	O-ring, Union	37	88330800	624479	Carver, Temp. Control
11	88329900	614827	Swim Plug w/ Gasket	38	88337200	N/A	Blowtube-Bracket
12a	88327300	614826	Gasket, Header	39	8836200	624417	Pressure Release Valve
12b	88327600	624329	Hardware Kit & Gaskets	40	8837000	624344	Circuit Board, Power Dist.
14a	88327703	624348	Burner Temp, 230	63 Burner Temp (LO MEX)			
14b	88327703	624322	Burner Temp, 400		8836203	624624	Mat. Gas 230 Low A.R.
15	10032300	52048	Main Burner		8836203	624631	Mat. Gas 400 Low A.R.
16a	88327903	624321	Gas Manifold, 230		8834703	624628	Mat. Gas 230
16b	88327903	624324	Gas Manifold, 400		8834703	624632	Mat. Gas 400
17a	88327900	624461	Orifice, Mat. Gas (0-3K FT)		8834803	624627	Mat. Gas 230 High A.R.
17b	88328100	624462	Orifice, Mat. Gas (3K-5K FT)		8834803	624633	Mat. Gas 400 High A.R.
17c	88328200	624463	Orifice, Propane (0-3K FT)		8834303	624621	Propane 230 Low A.R.
17d	88328300	624460	Orifice, Propane (3K-30K FT)		8834303	624634	Propane 400 Low A.R.
18	88331200	624401	Bracket, Anti-Rotation		8834903	624626	Propane 230 High A.R.
19a	88336900	614828	Gas Valve, Mat. Gas		8834903	624630	Propane 400 High A.R.
19b	88336900	614829	Gas Valve, Propane	62	88366400	624477	Burner Duty (No Orifice)
20a	88331703	624408	Flue Collector, 230	63 Manifold (LO MEX)			
20b	88331703	624407	Flue Collector, 400		8833003	624063	Mat. Gas 230 Low A.R.
21	88329900	624303	Blower Assy.		8833003	624374	Mat. Gas 400 Low A.R.
22	88329900	624381	Gasket, Blower		8834303	624061	Mat. Gas 230
27	88061100	52083	Transformer 1.5-220V/24V		8834303	624737	Mat. Gas 400
28	88338900	624393	Wire Harness		8834403	624062	Mat. Gas 230 High A.R.
29	88338900	624311	Pressure Switch, Blower		8834403	624376	Mat. Gas 400 High A.R.
30	88011200	52651	Temperature Sensor		8834303	624063	Propane 230 Low A.R.
31	87116403	600288	Gasket, Thermistor		8834303	624377	Propane 400 Low A.R.
32	19446903	604872	Protector Sleeve		8834203	624064	Propane 230 High A.R.
33	19447303	604828	Retainer, Sensor		8834203	624378	Propane 400 High A.R.
34	F0009100	609878	Screw, Retainer	64a	8836900	624068	Gas Valve, Mat. Gas LO MEX
35a	88488100	624860	Ignition Control (Repair 88328900)	64b	8836900	614829	Gas Valve, Propane LO MEX
35b	88369000	624387	Ignition Control, LO MEX	Wire Harness (Mat. Shown)			
37	88013200	604399	Pressure Switch, 2 PSI		88329000	624633	Wire Harness, Complete (Pre-2004)
38	88334600	614839	Siphon Loop		8837600	624046	Wire Harness, Complete (2004-)
40	88022700	52903	High Limit Switch, 130F		88330900	624630	Wire Harness, Transformer
41	88023000	52902	High Limit Switch 130F		8833000	624636	Wire Harness, Ignition Control
42	88334700	624427	Wire Harness, High Limit		8833100	624634	Wire Harness, Gas Valve
43	88336300	624371	Retainer Plate (2-pt)		8833100	624429	Wire Harness, Safety Loop





2005 E. Indian School Road • Phoenix, AZ 85016



**America's Largest
Pool & Spa Supply Retailer**
Over **900** Stores Nationwide

To place your order visit LesliesPool.com
Or call our mail order **1.800.LESLIES** (537-5437)

